

D X X S 1 3 A 6 X X 1 2 L F

SEE NOTE RoHS

SERIES

NO.OF CONTACTS
09,15,25,37

TYPE OF CONTACTS
S-SOCKET

TYPE OF TERMINATION
13-ANGLED SPILL
PITCH 2.54
FOOT PRINT 10.40 EUROPE

HEIGHT OF TERMINATION

A-2.00mm COMPATIBLE FOR 1.6mm PCB

RoHS INFORMATIONS

"This LF product meets European Union Directives and other country regulations as described in GS-22-008"

The housing will withstand exposure to 260°C peak temperature for 30 seconds in a convection,infra-red or vapor reflow oven solder application.

Packaging as per GS-14-920

PRODUCT SPECIFICATION

See :- GS-12-433

PACKAGING SPECIFICATION

See :- GS-14-1139

PACKAGING SPECIFICATION
12- TAPE AND REEL PACKAGING

MOUNTING OPTIONS

RV->LIF METAL PEG+F.SCREW LOCK UNC 4 40+METAL BRACKET

RL->LIF METAL PEG+ INSERT M3+METAL BRACKET

RX->LIF METAL PEG+ INSERT UNC 4-40 +METAL BRACKET

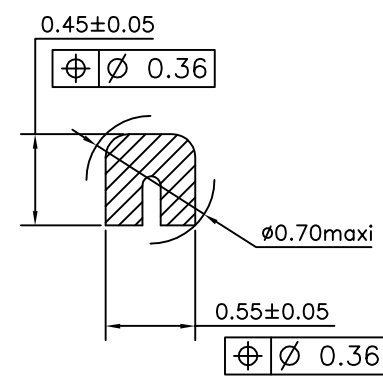
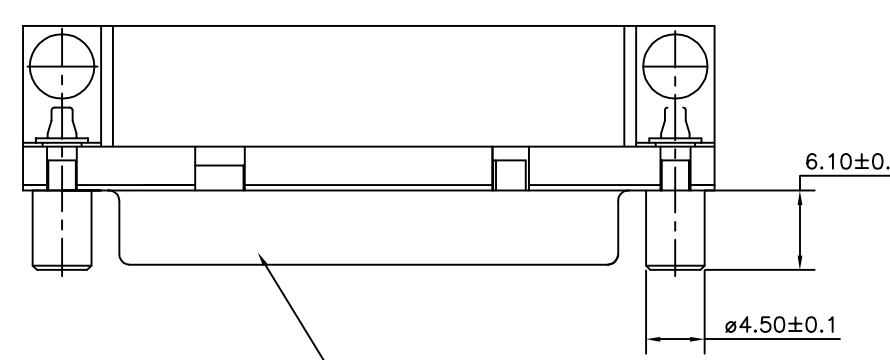
PLATING

6-500 Mating/Un-mating performance

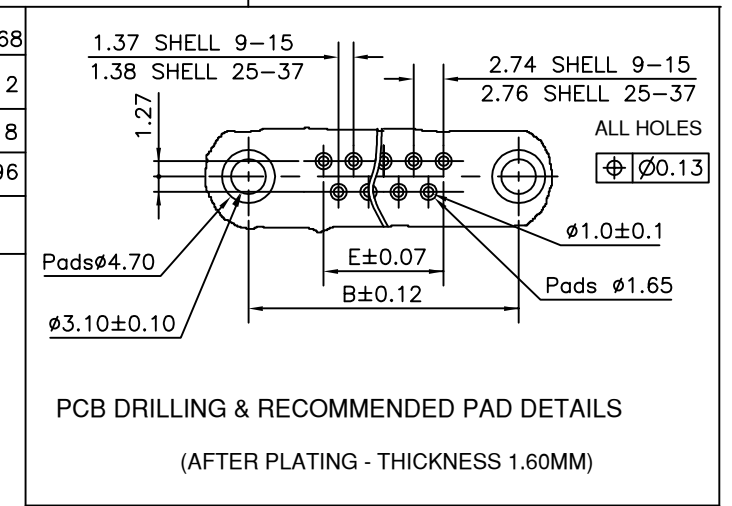


Copyright FCI

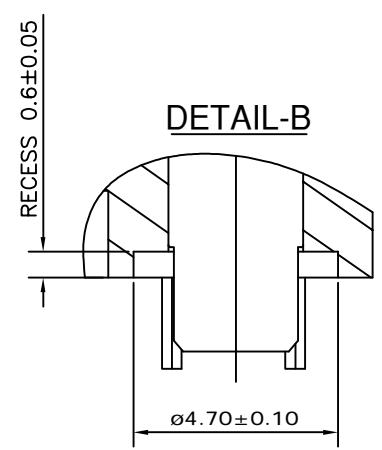
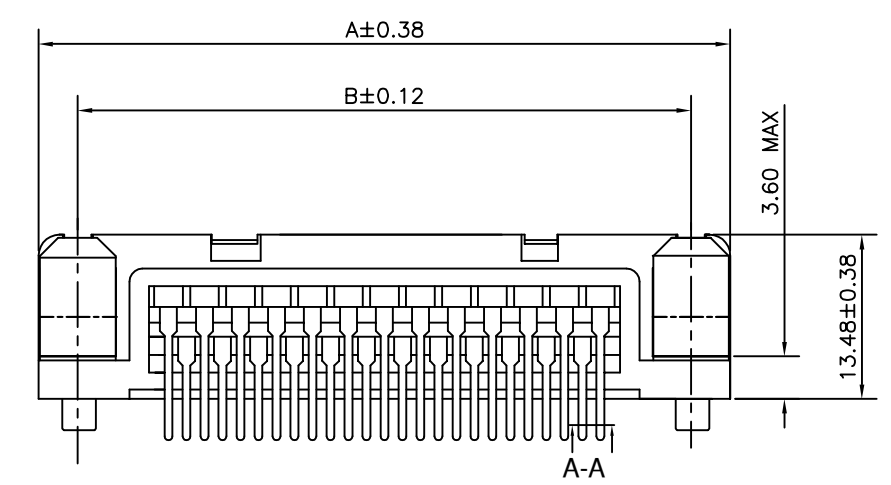
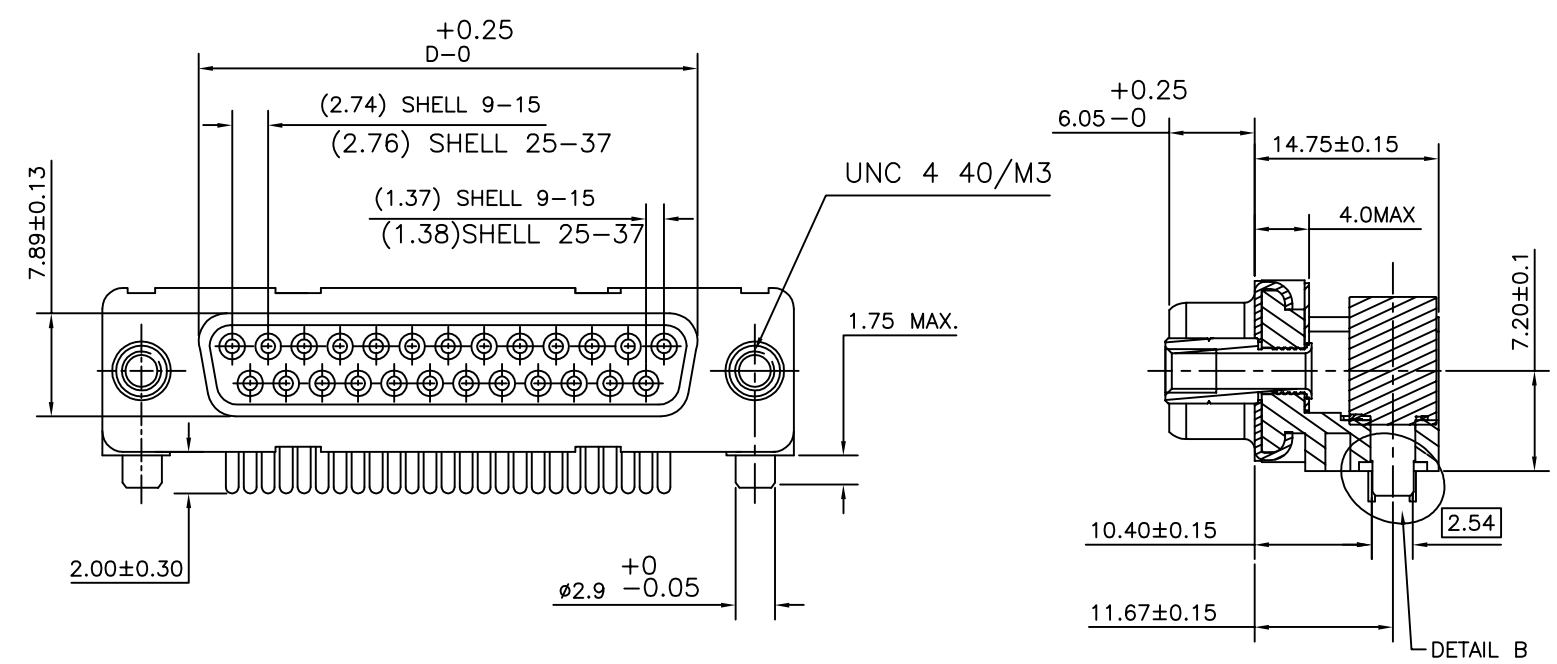
mat'l. code SEE.TECH.SPEC				surface ISO 1302 ✓		tolerance ISO 406 ISO 1101		projection 		product family DELTA-D				
ltr				ecn no		dr		date		tolerances unless otherwise specified		title		
A				107-0167		AS		2007-12-04		angles		linear		
B				107-0175		AS		2008-12-23		0°±1°		.00±0.1		
C				109-0162		AS		2009-08-19		.000±.00X		scale -		
				dr		ANISH.SALAM		2007-12-04				product family		
				enr		ANISH.SALAM		2009-08-19				sheet 1 of 2		size
				chr		ANISH.SALAM		2009-08-19				C-DD-0105		A3
				appd		BIJU.K.PAUL		2009-08-19				type		Product Customer Drawing
sheet index		revision sheet		C	C	1	2							



37	69.32	63.50	54.71	49.68
25	53.03	47.04	38.25	33.12
15	39.14	33.32	24.54	19.18
09	30.81	24.99	16.21	10.96
SHELL	A	B	D	E



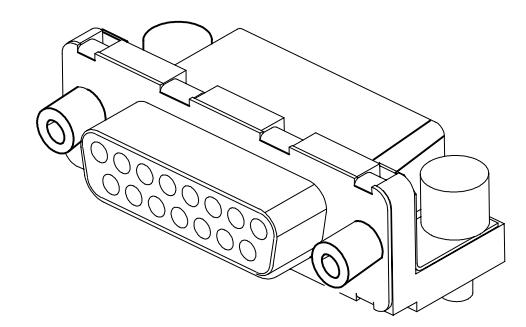
SECTION A-A



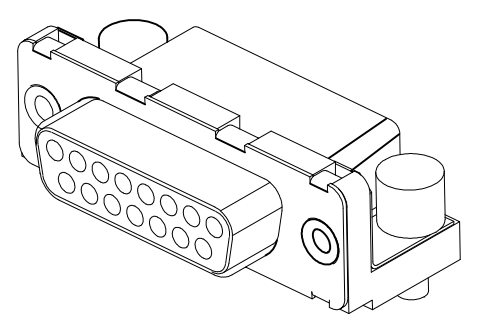
ACCESSORIES DETAILS

TRUE POSITIONING : $\oplus \ominus \varnothing 0.36$

RV VERSION



RX/RL VERSION



mat'l. code SEE.TECH.SPEC				surface ISO 1302 ✓		tolerance ISO 406 ISO 1101		projection 		product family DELTA-D	
ltr				ecn no		dr		date		title	
A				107-0167		AS		2007-12-04		DELTA-D A/S FEMALE PIP CONNECTOR EUROPE VERSION	
B				107-0175		AS		2008-12-23		scale	
C				109-0162		AS		2009-08-19		MM	
						angles		linear		scale	
						0°±1°				—	
						dr		ANISH.SALAM		2007-12-04	
						enr		ANISH.SALAM		2009-08-19	
						chr		ANISH.SALAM		2009-08-19	
						appd		BIJU.K.PAUL		2009-08-19	
sheet index		revision sheet		C		C				dwg no	
1		1		2						sheet 2 of 2	
										size	
										A3	
										type	
										Product Customer Drawing	