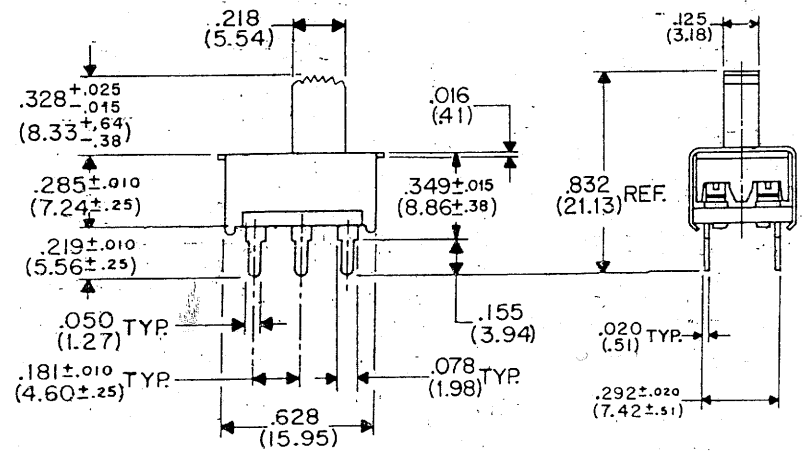
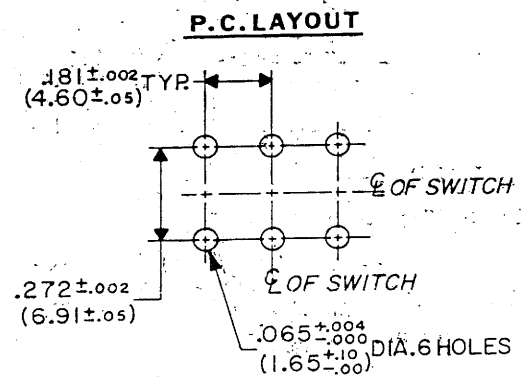
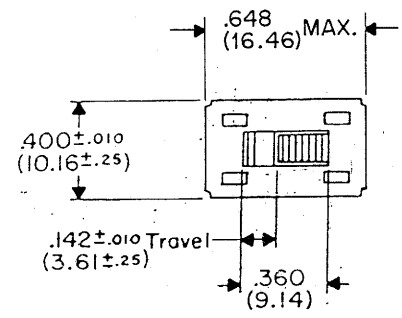


DIMENSIONS IN INCHES (METRIC-MILLIMETERS)  
DO NOT SCALE DRAWING.

Drawing Number  
**GF-126-0008**

**NOTE:**  
Dimensions in ( ) are in millimeters.



REVISIONS  
RELEASED 12-2-87

**CW INDUSTRIES**  
Southampton, Pa. 18966

TOLERANCES UNLESS OTHERWISE SPECIFIED

2 Place decimal ± .010	METRIC
3 Place decimal ± .005	1 Place dec. ± .25MM
Angles ± 1°	2 Place dec. ± .13MM

Made by: C.W. INDUSTRIES  
Drawn by: LIS JACKSON 12-2-87  
Checked: *AK* 12/4/87  
Eng. app: *AK* 12/4/87

**SWIDGET ASSEMBLY**  
D.P.-D.T.

Part Name: SWITCH  
Drawing Number: GF-126-0008