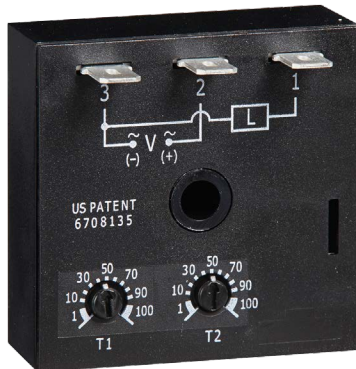


KSPD SERIES

Solid State Timer



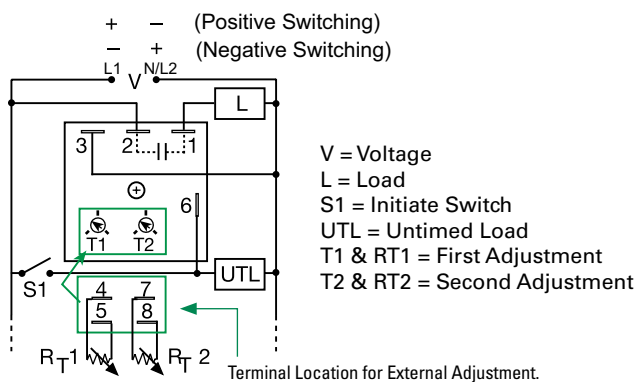
Description

The KSPD Series is a factory programmed module available with 1 of 12 standard dual functions. The time delays can be factory fixed, externally or onboard adjustable, or a combination of fixed and adjustable. The 1A steady, 10A inrush rated solid-state output provides 100 million operations, typical. Its microcontroller timing circuit provides excellent repeat accuracy and stability. Encapsulation protects against shock, vibration, and humidity. The KSPD Series is a cost effective approach for OEM applications that require small size and long life.

Features & Benefits

FEATURES	BENEFITS
Microcontroller based	Repeat Accuracy + / - 0.5%
Compact design	Allows flexibility for OEM applications
1A steady, 10A inrush solid-state output	Provides 100 million operations in typical conditions.
Totally solid state and encapsulated	No moving parts to arc and wear out over time and encapsulated to protect against shock, vibration, and humidity

Wiring Diagram



Accessories

- P1004-95, P1004-95-X Versa-Pot**
Panel mountable, industrial potentiometer recommended for remote time delay adjustment.
- P1023-6 Mounting bracket**
The 90° orientation of mounting slots makes installation/removal of modules quick and easy.
- P0700-7 Versa-Knob**
Designed for 0.25 in. (6.35 mm) shaft of Versa-Pot. Semi-gloss industrial black finish.
- P1015-64 (AWG 14/16) Female Quick Connect**
These 0.25 in. (6.35 mm) female terminals are constructed with an insulator barrel to provide strain relief.
- C103PM (AL) DIN Rail**
35 mm aluminum DIN rail available in a 36 in. (91.4 cm) length.
- P1023-20 DIN Rail Adapter**
Allows module to be mounted on a 35 mm DIN type rail with two #10 screws.

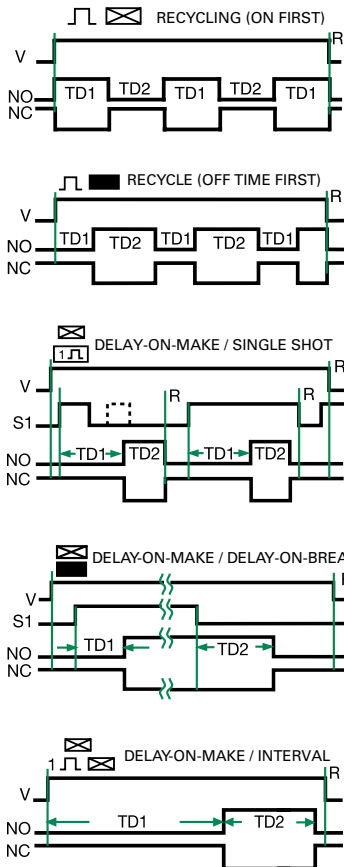
Ordering Information

MODEL	INPUT	ADJUSTMENT 1	TIME DELAY 1	ADJUSTMENT 2	TIME DELAY 2	FUNCTION
KSPDA2222RXE	24 to 240VAC	Onboard	1-100s	Onboard	1-100s	Recycling/On Time First
KSPDP110M18SRXE	12 to 120VDC positive switching	Fixed	10 mins	Fixed	8s	Recycling/On Time First

If you don't find the part you need, call us for a custom product 800-843-8848

KSPD SERIES

Function Diagrams



V = Voltage
S1 = Initiate Switch
NO = Normally Open Contact
NC = Normally Closed Contact
TD1, TD2 = Time Delay
R = Reset
— = Undefined Time

Specifications

Time Delay

Type
Range

Microcontroller circuitry
0.1s - 1000h in 9 adjustable ranges or fixed (to 999)

Repeat Accuracy Tolerance (Factory Calibration)

±0.5% or 20ms, whichever is greater

Reset Time

≤ ±2%

Initiate Time

≤ 150ms

Time Delay vs Temp. & Voltage

≤ 20ms; ≤ 1500 operations per minute

Input

Voltage

12 to 120VDC; 24 to 240VAC

Tolerance

≤ ±15%

AC Line Frequency/DC Ripple

50/60Hz / ≤ 10%

Power Consumption

AC ≤ 2VA; DC ≤ 1W

Output

Type

Solid-state output

Rating

1A steady, 10A inrush for 16ms

Voltage Drop

AC ≅ 2.5V @ 1A; DC ≅ 1V @ 1A

OFF State Leakage Current

AC ≅ 5mA @ 230VAC; DC ≅ 1mA

Protection

Circuitry

Encapsulated

Dielectric Breakdown

≥ 2000V rms terminals to mounting surface

Insulation Resistance

≥ 100 MΩ

Polarity

DC units are reverse polarity protected

Mechanical

Mounting

Surface mt. with one #10 (M5 x 0.8) screw

Dimensions

H 50.8 mm (2"); **W** 50.8 mm (2");

D 30.7 mm (1.21")

Termination

0.25 in. (6.35 mm) male quick connects

Environmental

Operating/Storage

Temperature

Temperature

-40° to 60°C / -40° to 85°C

Humidity

95% relative, non-condensing

Weight

≅ 2.4 oz (68 g)