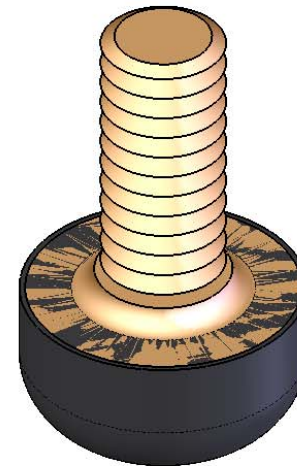
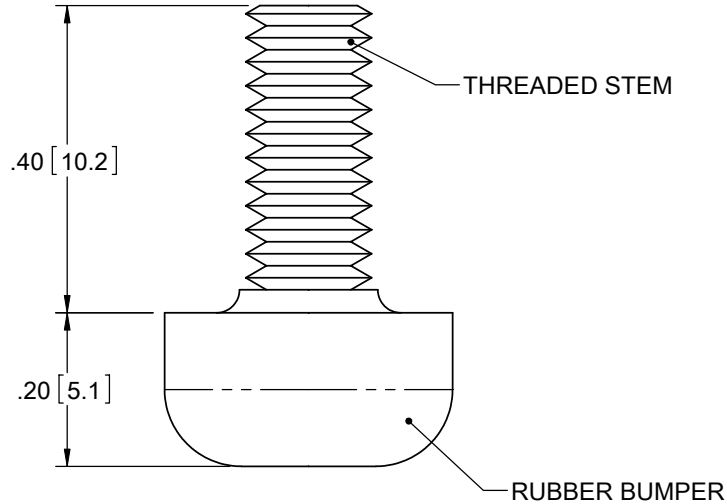
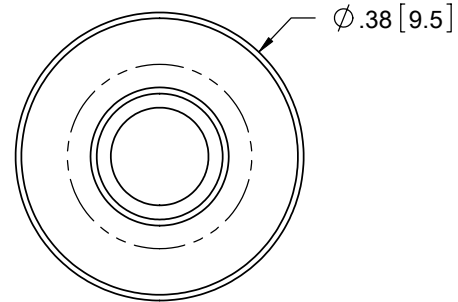


PART NO.	THREAD TYPE
TB-1	#6-32
TB-2	#8-32
TB-3	M3
TB-4	M4



NOTES:

- MATERIAL: RUBBER BUMPER - IIR, SHORE 40-50A DUROMETER (RMS-348)  
 THREADED STEM - BRASS (RMS-349)
- COLOR: RUBBER BUMPER - BLACK  
 THREADED STEM - AS MACHINED
- TYPICAL COMPRESSION FOR 10 LB MAX LOAD = .03 [0.8]

TITLE: THREADED BUMPERS			DWG IN IN[MM]		FINAL		
CREATED USING SOLIDWORKS			FILE #: TB	DWN: S.J.	APP: S.J.	PART #	
TOLERANCES UNLESS NOTED			SHEET: 1 OF 1	SHEET SIZE: A	DT: 1.09.07		CHKD: S.K.
XX=±.010 XXX=±.005 FRAC.=±1/64 ANG.=±1°			RE: RICHCO, INC.	RICHCO, INC. ENG@RICHCO-INC.COM (773) 539-4060		PRINT TYPE	
B	SEE ECN #1309 FOR CHANGES	SK 04/05/07	SEE TABLE				CA
A	RELEASED FOR PRODUCTION	SK 01/09/07					
REV.	DESCRIPTION	ENGR. DATE					