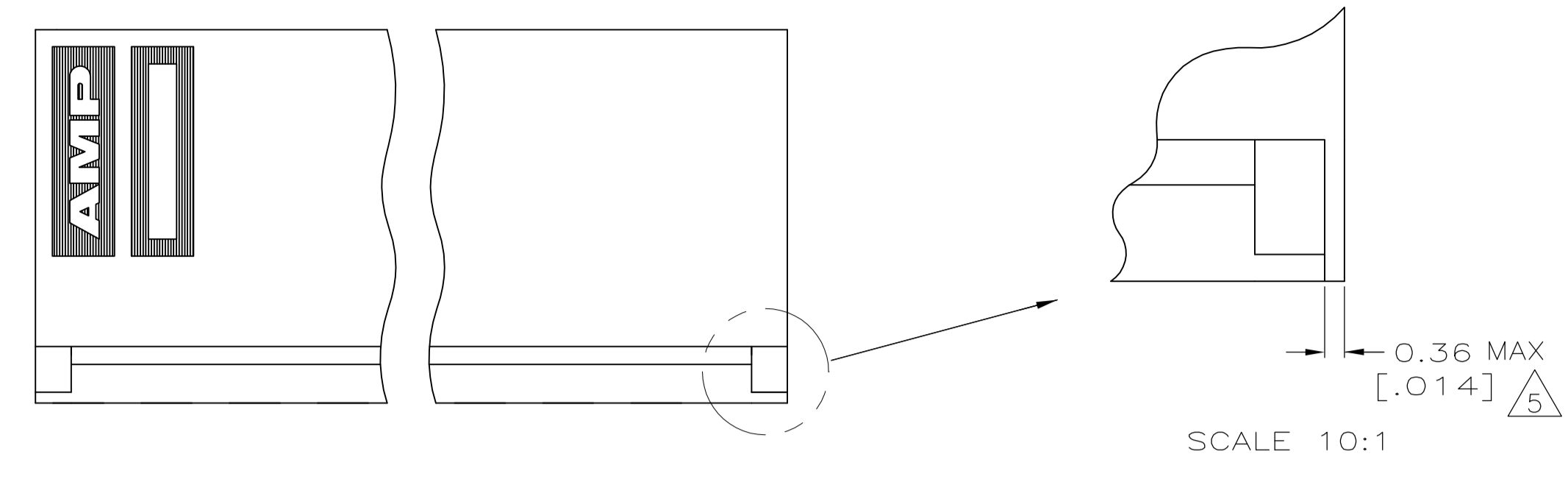
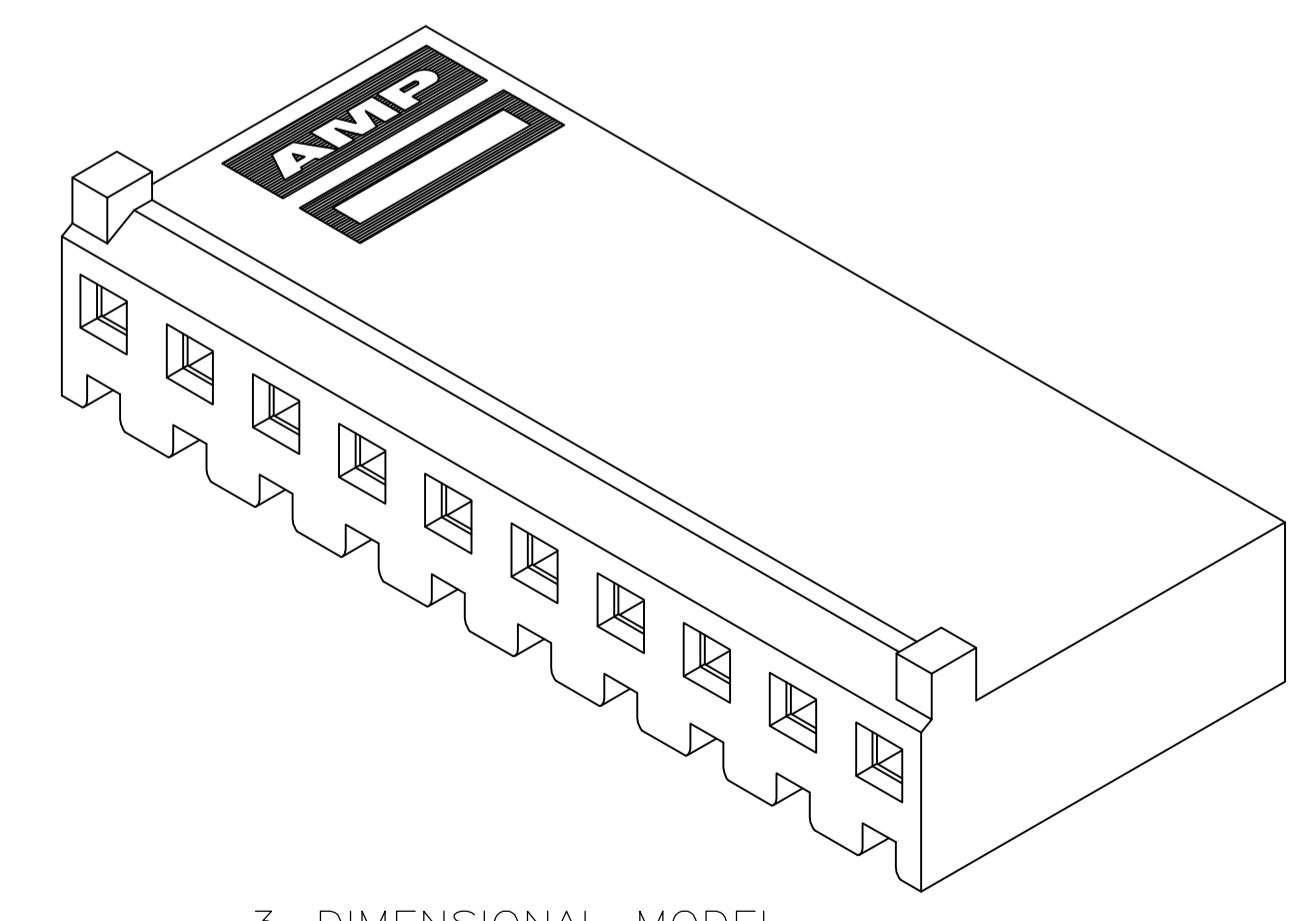
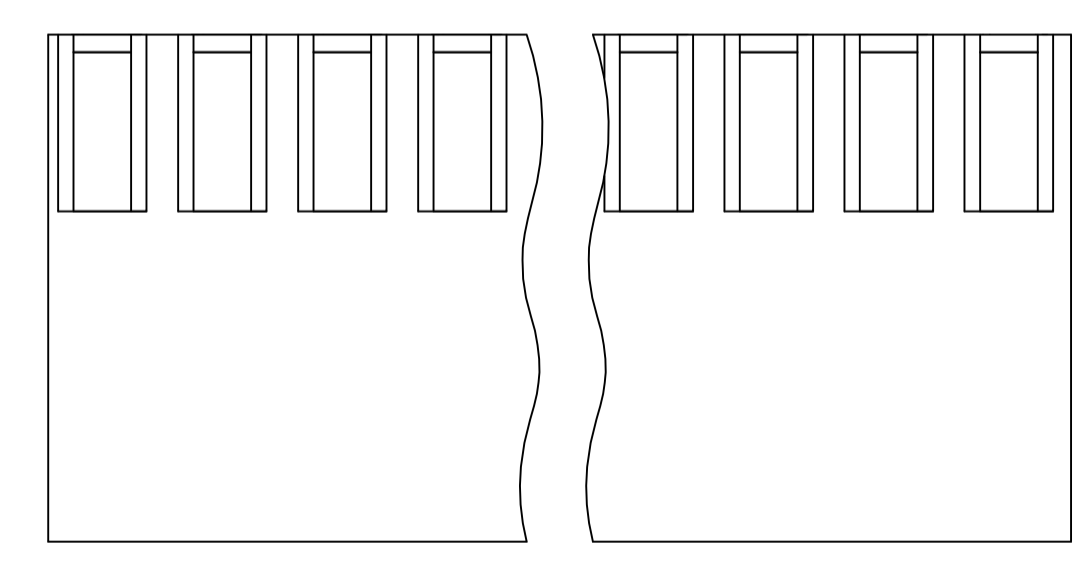
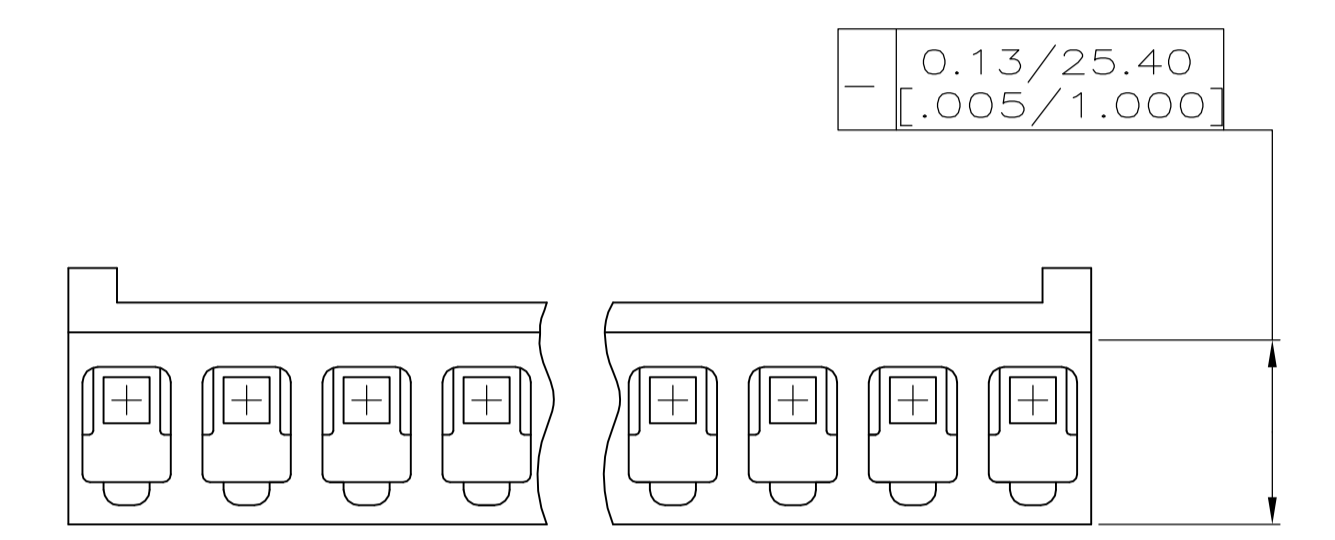
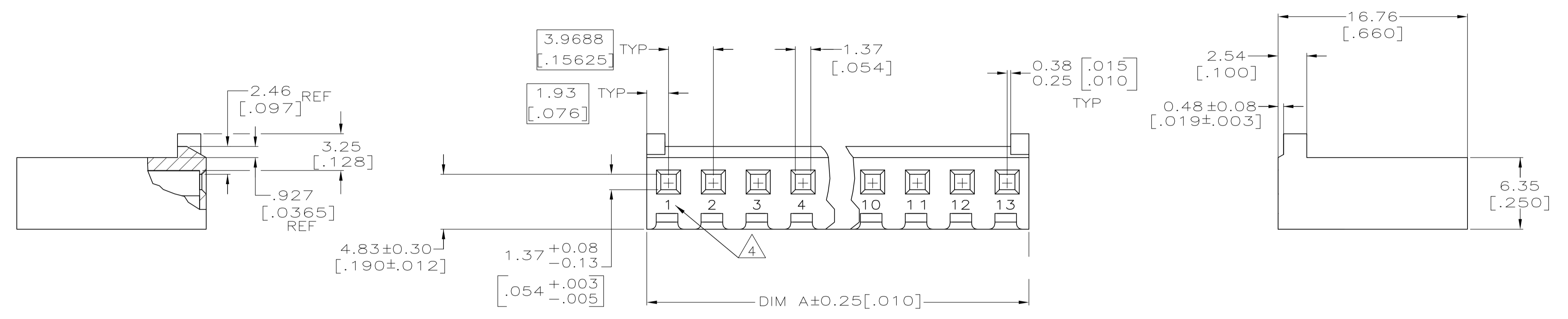


LOC		DIST		REVISIONS			
CM	54	P	LTR	DESCRIPTION	DATE	DWN	APVD
		D		REVISED PER ECO-12-007810	27JUL12	KH	SM



- 1 UNIT ACCEPTS 1.14[.045] SQUARE OR ROUND POST.
- 2 UNIT ACCEPTS STANDARD SL-156 CONTACTS.
- 3 UNIT ACCEPTS KEYING PLUG 640254-1 AND KEYING PIN 640255-1.
- 4 IDENTIFICATION NUMBER FOR ALL POSITIONS, OR FOR POSITION 1 ONLY, WILL BE LOCATED AS SHOWN.
- 5 OPTIONAL CONSTRUCTION, BOTH ENDS.
- 6 DIMENSIONS IN BRACKETS ARE IN INCHES.



3-DIMENSIONAL MODEL NTS

1.871	47.52	12	1-647288-2
1.715	43.56	11	1-647288-1
1.558	39.57	10	1-647288-0
1.402	35.61	9	647288-9
1.246	31.65	8	647288-8
1.090	27.69	7	647288-7
.933	23.70	6	647288-6
.777	19.74	5	647288-5
.621	15.77	4	647288-4
.465	11.81	3	647288-3
.308	7.82	2	647288-2
[IN]	MM		
DIM A		NO OF POSN	PART NUMBER

DIMENSIONS:		TOLERANCES UNLESS OTHERWISE SPECIFIED:		MATERIAL		FINISH	
mm	[INCHES]	0. PLC	±	NYLON, UL94V-0, BLACK			
		1. PLC	±				
		2. PLC	±				
		3. PLC	± 0.13 [0.005]				
		4. PLC	±				
		ANGLES	± 0.30°				

