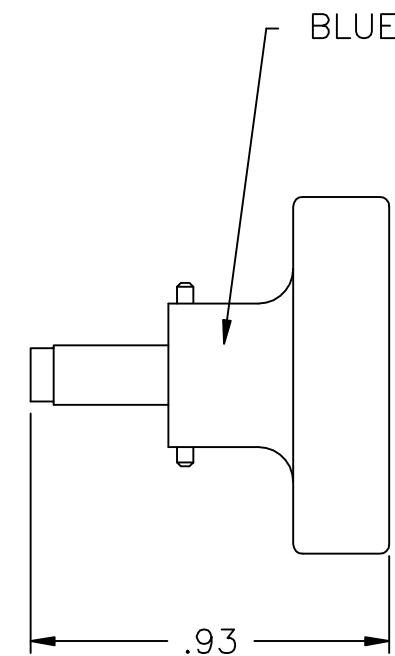
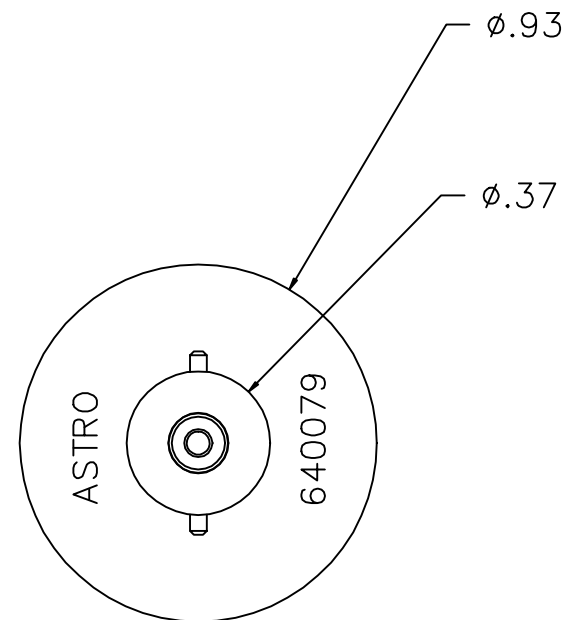
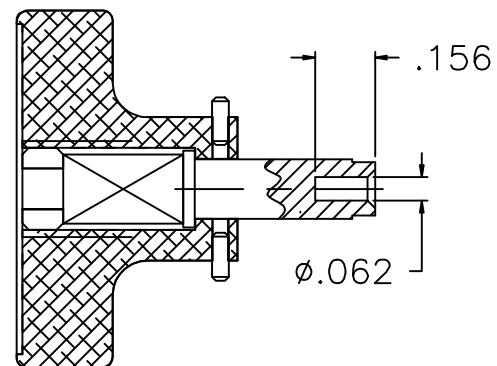



HARWIN			
Contact	Wire (AWG)	Crimp Setting	Min. Pulloff Force
M80-01100XX	22	6	50N
	24	6	44N
M80-01300XX	26	6	25N
	28	6	12.5N

FOR USE WITH M80 SERIES CONNECTORS



**UNCONTROLLED DOCUMENT
WILL NOT BE UPDATED**

NOTES: 1. THIS IS AN ACAD DRAWING DO NOT CHANGE MANUALLY.

				<small>THESE DRAWINGS, SPECIFICATIONS OR OTHER DATA ARE AND REMAIN THE PROPERTY OF ASTRO TOOL CORP. AND MUST BE RETURNED UPON REQUEST. THEY CONTAIN INFORMATION OWNED AND/OR DEVELOPED BY ASTRO AT ITS OWN PRIVATE EXPENSE AND MAY NOT BE USED, DUPLICATED OR DISCLOSED TO OTHERS, IN WHOLE OR IN PART FOR DESIGN, MANUFACTURE OR PROCUREMENT WITHOUT THE WRITTEN PERMISSION OF ASTRO TOOL CORP. EACH AND EVERY TIME.</small>		SCALE: N.T.S. DWN BY: DYO DATE: 03-08-10 APPROVED:	<small>UNLESS OTHERWISE SPECIFIED:</small> DECIMALS: .XXX ± .005 .XX ± .010 .X ± .030 ANGLES: ± 1°	 21615 S.W. TUALATIN VALLEY HWY., BEAVERTON OR 97006 CAGE 58164
A	NEW RELEASE.	DYO	03-08-10	MMK	DESCRIPTION: ENVELOPE DRAWING: 640079 POSITIONER			
REV.	DESCRIPTION	BY	DATE	APR.	PART NO.	B	640079-ENV	