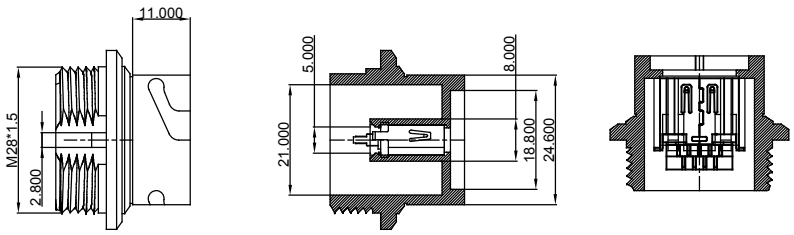
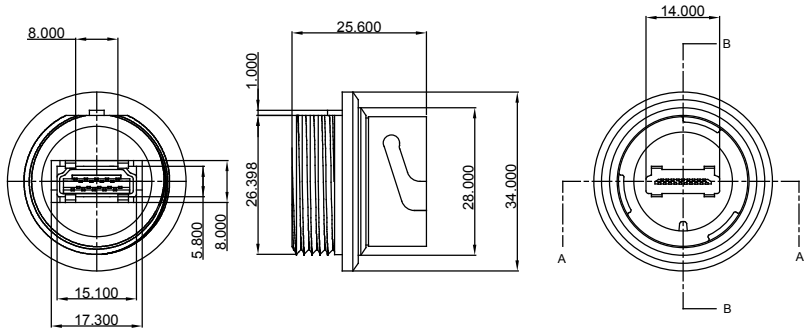


TOLERANCE UNLESS OTHERWISE SPECIFIED IN MM:  
 0.0 ± 0.20 ANGLE x°  
 0.00 ± 0.10  
 0.000 ± 0.05

THIS IS A C.A.D. GENERATED DRAWING  
 DO NOT MAKE MANUAL REVISIONS TO MASTER.



ISSUE NUMBER	
ORIGINAL	①
REMOVE HEX NUT R.STA.MONICA	JUNE.18/2014 ②
ADD OPERATING TEMP R.STA.MONICA	MAY.12/2017 ③
ADD O-RING Y.ZHANG	AUG. 04/2017 ④
UPDATE NOTES Y.ZHANG	JAN. 11/2018 ⑤
UPDATE THREAD PITCH Y.ZHANG	MAR.01/2018 ⑥



SECTION A-A

SECTION B-B

1. MATERIAL :
- 1-1. EXTERNAL HOUSING : PBT UL94V-0 ; COLOR : BLACK
  - 1-2. HOUSING: LCP UL94V-0 ; COLOR : BLACK
  - 1-3. CONTACT: PHOSPHOR BRONZE
  - 1-4. SHELL: BRASS
2. FINISH :
- 2-1. CONTACT : 15 MICRO INCHES MIN. GOLD PLATED
  - SOLDER TAILS: BRIGHT TIN 100u"
  - 2-3. SHELL: GOLD FLASH
3. WATER PROOF: IPX7
4. OPERATING TEMP.: -25C TO +85C
5. CABLE MOUNT: WITHOUT HEX NUT & O-RING
- PANEL MOUNT: USE HEX NUT M00-876-001& O-RING M00-943-001



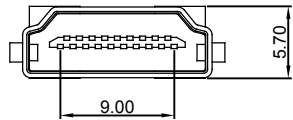
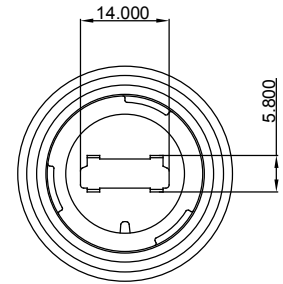
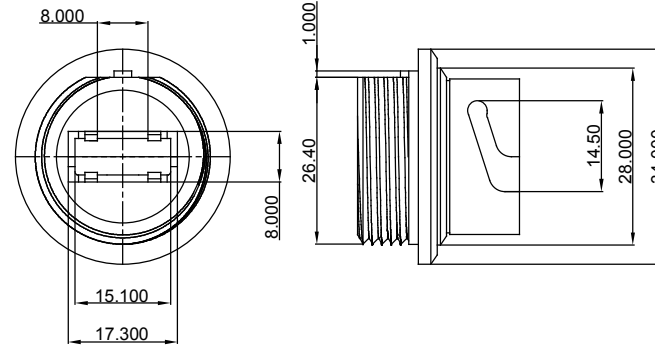
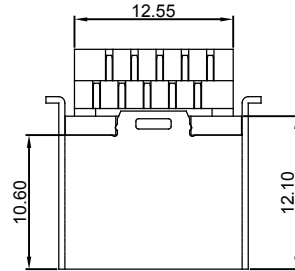
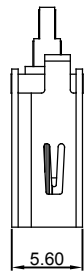
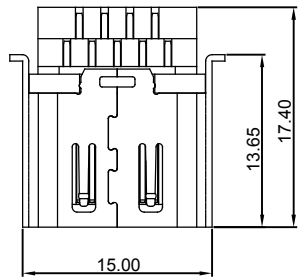
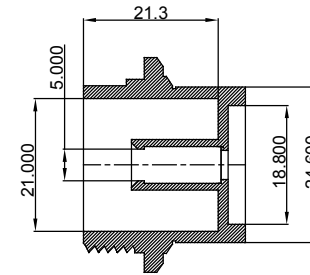
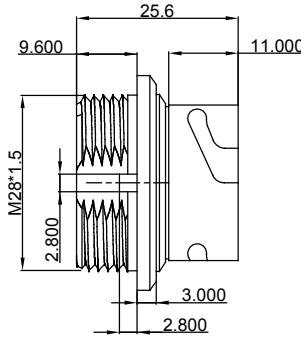
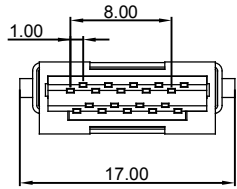
THIS SERIES FULLY CONFORMS TO THE EUROPEAN UNION DIRECTIVES 2011/65/EU FOR RoHS COMPLIANCY.



EDAC INC  
 TORONTO, ONTARIO  
 CANADA  
 YOUR CONNECTION TO QUALITY & SERVICE

THESE DRAWINGS AND SPECIFICATIONS ARE THE PROPERTY OF EDAC INC. AND SHALL NOT BE REPRODUCED, OR COPIED OR USED AS THE BASIS FOR THE MANUFACTURE OR SALE OF APPARATUS WITHOUT WRITTEN PERMISSION.

<b>WATERPROOF HDMI BLACK TYPE A, 180° (FEMALE)</b>		ACAD REFERENCE NO.: 690-W19-260-012	
		DRAWN: R.STA.MONICA	DATE: JAN.09/2014
		CHECKED:	DATE:
		PART NUMBER	
		690-W19-260-012	SHEET 1 OF 2
		DRAWING NUMBER	ISSUE
		690-W19-260-012	6



SCALE: 2:1

**WATERPROOF HDMI BLACK TYPE A, 180°  
(FEMALE)**

ACAD REFERENCE NO.: 690-W19-260-012

DRAWN: R.STA.MONICA

DATE: JAN.09/2014

CHECKED:

DATE:

PART NUMBER

**690-W19-260-012**

SHEET 2 OF 2

DRAWING NUMBER

**690-W19-260-012**

ISSUE

6



THIS SERIES FULLY CONFORMS TO THE  
EUROPEAN UNION DIRECTIVES 2002/95/EC  
AND 2002/96/EC FOR RoHS COMPLIANCY.



**EDAC INC**  
TORONTO, ONTARIO  
CANADA  
YOUR CONNECTION TO QUALITY & SERVICE

THESE DRAWINGS AND SPECIFICATIONS  
ARE THE PROPERTY OF EDAC INC., AND  
SHALL NOT BE REPRODUCED, OR COPIED  
OR USED AS THE BASIS FOR THE  
MANUFACTURE OR SALE OF APPARATUS  
WITHOUT WRITTEN PERMISSION.