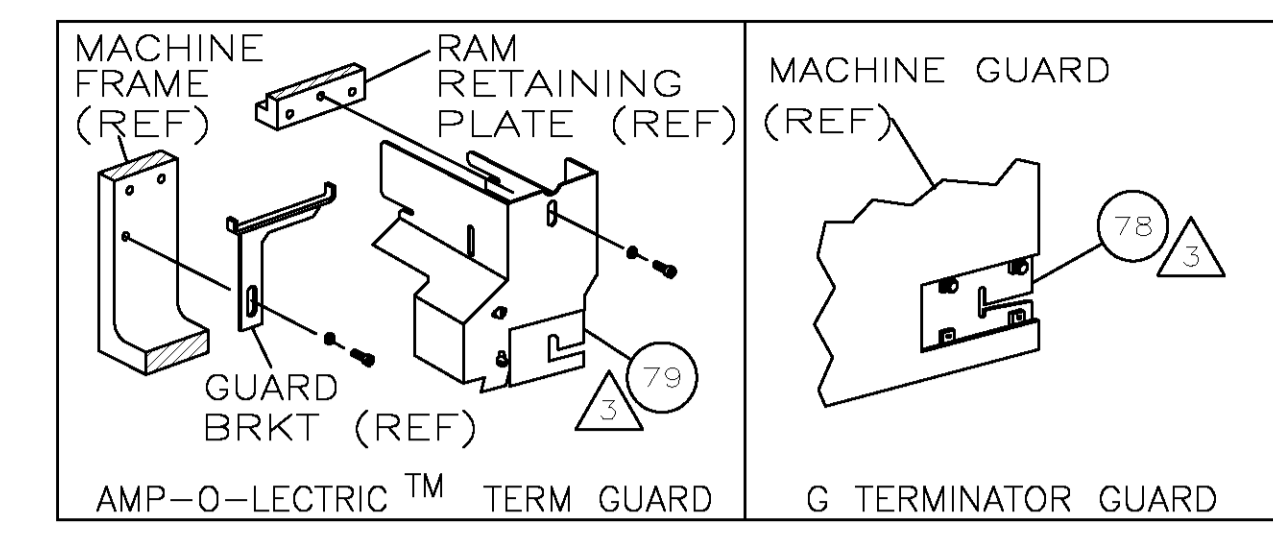
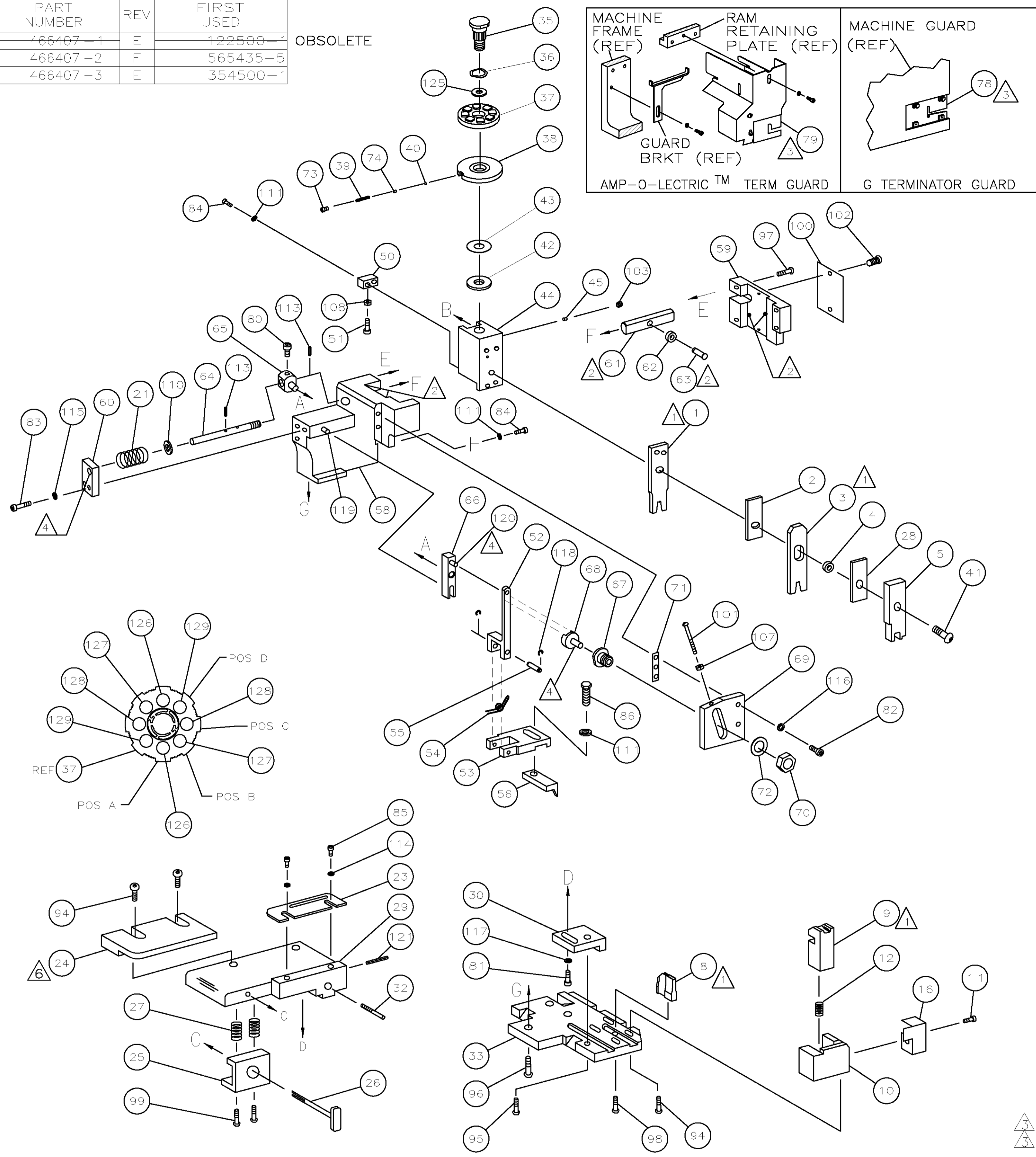


Table with 3 columns: PART NUMBER, REV, FIRST USED. Rows include 466407-1, 466407-2, 466407-3.

OBSOLETE



Terminal Name: P.C. BOARD CONTACT table with columns for Wire Strip Length, Term Appl Spec, Feed, Appl Instruction, Set Up Gage, and Layout.

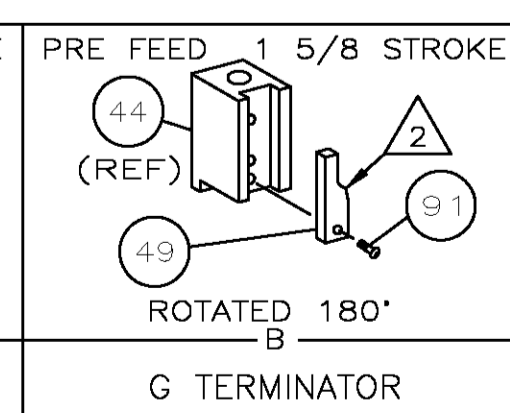
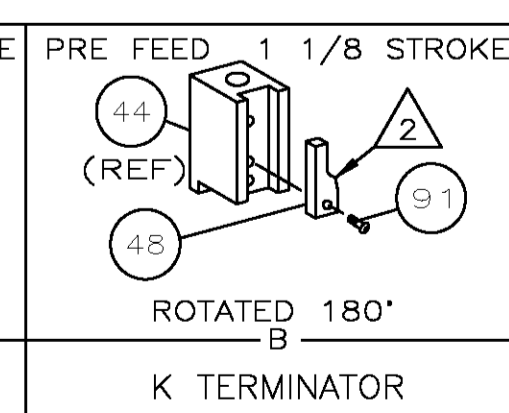
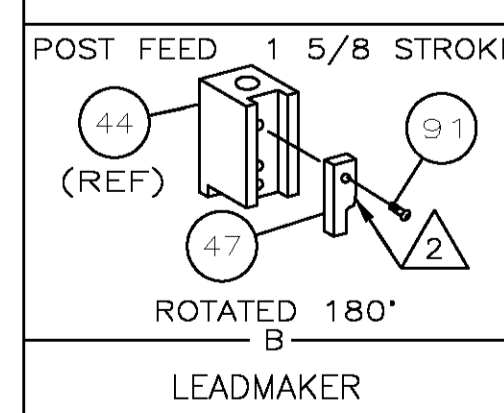
Main Parts List table with columns for Qty, Reod per Assy, Part No, Description, and Item No. It lists various components like pins, washers, and springs.

Revision table showing changes to the drawing. Columns include revision number, description of change, and the person making the change.

THIS DRAWING IS A CONTROLLED DOCUMENT.

20

RELEASÉ FOR PUBLICATION BY AMP INCORPORATED. ALL RIGHTS RESERVED. COPYRIGHT 20



- 1 RECOMMENDED SPARE PARTS.
2 GREASE LIGHTLY.
3 GUARD MUST BE IN PLACE WHEN OPERATING APPLICATOR IN A BENCH MACHINE.
4 LUBRICATE DAILY USING NO. 20 MACHINE OIL.
5. ITEMS WITH QTY OF REF SPECIFIED (EXCEPT ITEMS 78 AND 79) ARE USED ON ITEM 46.
6 GUIDE OFF INSULATION BARREL.

Table with 2 columns: LOC, DIST. Row 1: A, 66.

