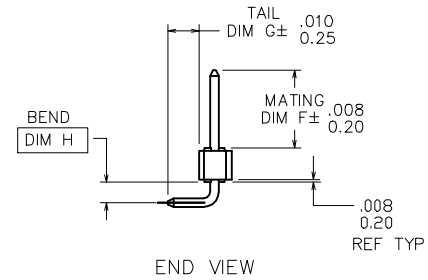
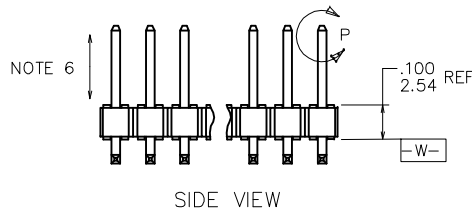
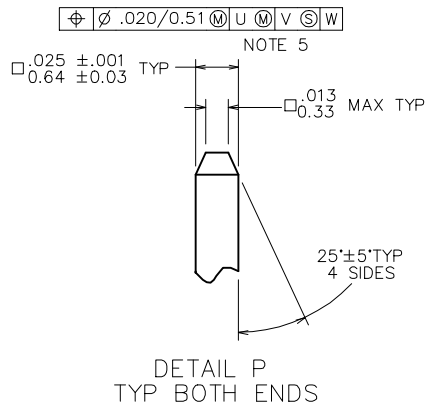
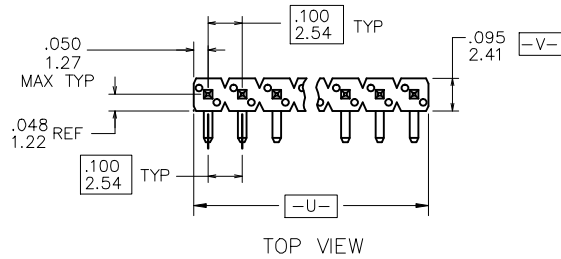


PRODUCT NO.
 XXXXX-YYTTF
 LEAD FREE OPTION
 SEE NOTE 9 & 10
 TUBE PACKAGING OPTION
 SEE NOTE 8
 NO OF POSITIONS
 SEE NOTE 4
 PLATING NUMBER
 SEE SHEET 2
 BASE PART NO.



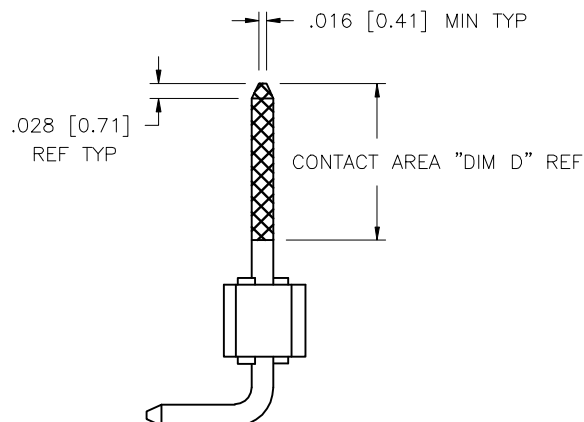
mat'l. code				surface	tolerance	projection	product family
-				ISO 1302	ISO 406 ISO 1101	ISO 1502	BERGSTIK
ltr	ecn no	dr	date	tolerances unless otherwise specified		INCH/MM	title
A	v41425	MSC	9/22/94	angles	.XX±.01/XX±0.3		BERGSTIK® II HEADER DUPLEX
B	v61053	EPK	7/31/96	linear	.XXX±.006/XXX±0.13	scale 2:1	.100/2.54cc SR R/A
C	v02539	AZ	10/12/00	σ±z'	.XXX±.0020/XXX±0.051		dwg no
D	M05-0118	ERE	6/02/05	dr	T. BREWBAKER	6/03/94	sheet 1 of 3 size
E	M06-0270	AEA	7/14/06	engr	T. HANNA	6/03/94	94647
F	M06-0346	MHT	9/04/06	chr	J. MURPHY	6/03/94	A3
G	M08-0291	MHT	10/08/08	appd	T. HANNA	6/03/94	type
sheet	revision	G	G	G	Product Customer Drawing		
index	sheet	1	2	3			

PLATING NUMBER	CONTACT AREA "DIM. D" (NOTE 3)
XXXX-1YY	30u"/0.76u Au OVER 50u"/1.27u Ni
XXXX-2YY	15u"/0.38u Au OVER 50u"/1.27u Ni

NOTES

1. BODY MATERIAL: GLASS FIBER REINFORCED PCT FLAME RETARDANT PER UL-94V-0. COLOR: BLACK.
OR
MINERAL FILLED LCP FLAME RETARDANT PER UL-94V-0. COLOR: BLACK.
2. PIN MATERIAL: PHOS-BRONZE.
3. FINISH:
CONTACT AREA: SEE TABLE
SOLDER TAIL: 100u"/2.54u TIN OVER 50u"/1.27u Ni

LEAD FREE OPTION:
SOLDER TAIL: 100u"/2.54u TIN OVER 50u"/1.27u Ni
4. ANY NUMBER OF POSITIONS FROM 1 (1X1) THRU 36 (1X36).
5. MEASURED WITH PART IN RESRAINED CONDITION.
6. 2LBS/0.9KG MIN PIN RETENTION IN EITHER DIRECTION.
7. PACKAGED IN POLY BAGS.
8. EIGHT DIGIT PART NUMBERS FOLLOWED BY A "T" ARE PACKAGED IN TUBES. SEE SPECIFIC PART NUMBERS FOR AVAILABILITY.
9. ADD "LF" SUFFIX AT THE END OF PART NUMBER FOR LEAD FREE OPTION.
10. THIS PRODUCT MEETS EUROPEAN UNION DIRECTIVES AND OTHER COUNTRY REGULATION AS DESCRIBED IN GS-22-008.
11. THE HOUSING WILL WITHSTAND EXPOSURE TO 260°C PEAK TEMPERATURE FOR 20 SECONDS IN A CONVECTION, INFRA-RED OR VAPOR PHASE REFLOW OVEN. OR FOR FOR 15 SECONDS IN A WAVE SOLDER APPLICATION WITH A 1.5mm MINIMUM THICK CIRCUIT BOARD. SEE APPLICATION NOTES/PROCEDURES IF THEY ARE AVAILABLE.



Copyright FCI

mat'l. code		surface	tolerance	projection	product family
-		ISO 1302	ISO 406		BERGSTIK
			ISO 1101		
ltr	ecn no	dr	date	tolerances unless otherwise specified	
G					BERGSTIK® II HEADER DUPLEX
					.100/2.54cc SR R/A
					scale 2:1
					dwg no
					sheet 2 of 3 size
					94647 A3
					type Product Customer Drawing
sheet	revision				
index	sheet				

form A3

PRODUCT NO.	MATING LENGTH		TAIL LENGTH		BEND DIM.		CONTACT AREA		PACKAGING
	DIM F	DIM F	DIM G	DIM G	DIM H	DIM H	DIM D	DIM D	
	ENGLISH	METRIC	ENGLISH	METRIC	ENGLISH	METRIC	ENGLISH	METRIC	
55854-YYY	0.310	7.87	0.250	6.35	0.060	1.52	0.262	6.65	POLY BAGS
94647-YYY	0.230	5.84	0.095	2.41	0.060	1.52	0.185	4.70	POLY BAGS
94651-YYY	0.230	5.84	0.120	3.05	0.060	1.52	0.185	4.70	POLY BAGS
94652-YYY	0.318	8.08	0.107	2.72	0.060	1.52	0.200	5.08	POLY BAGS
94653-YYY	0.318	8.08	0.150	3.81	0.060	1.52	0.200	5.08	POLY BAGS
55854-YYLF	0.310	7.87	0.250	6.35	0.060	1.52	0.262	6.65	POLY BAGS
94647-YYLF	0.230	5.84	0.095	2.41	0.060	1.52	0.185	4.70	POLY BAGS
94651-YYLF	0.230	5.84	0.120	3.05	0.060	1.52	0.185	4.70	POLY BAGS
94652-YYLF	0.318	8.08	0.107	2.72	0.060	1.52	0.200	5.08	POLY BAGS
94653-YYLF	0.318	8.08	0.150	3.81	0.060	1.52	0.200	5.08	POLY BAGS



FCconnect.com

Copyright FCJ

mat'l. code		surface		tolerance		projection		product family	
-		ISO 1302		ISO 406		1st angle		BERGSTIK	
-		✓		ISO 1101		INCH/MM		title	
G		dr		date		linear		BERGSTIK® II HEADER DUPLEX	
						.XX±.01/XX±0.3		.100/2.54cc SR R/A	
						.XXX±.006/XX±0.13		scale 2:1	
						.XXX±.0020/XXX±0.051		dwg no	
								sheet 3 of 3 size	
								94647 A3	
								type Product Customer Drawing	
sheet		revision							
index		sheet							

form A3