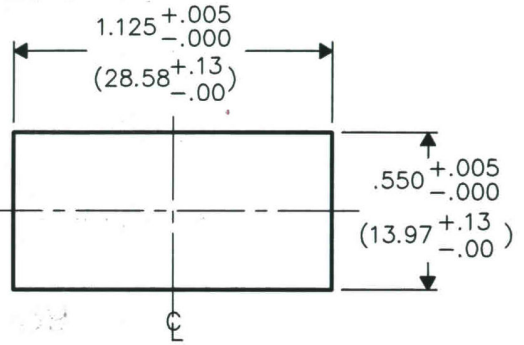
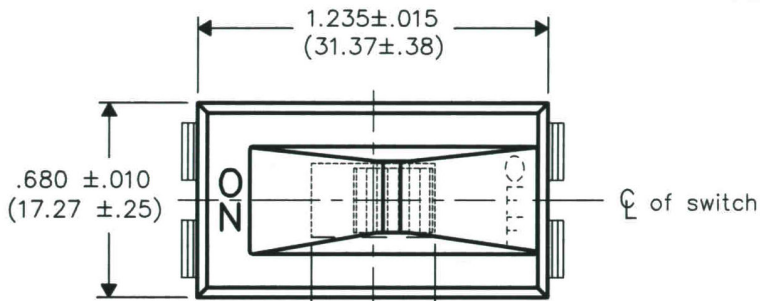


PANEL PIERCING



$.158 \pm .010$
(4.01 ± .25) TRAVEL

$.436$
(11.07) Button slot

$.990 \pm .015$
(25.15 ± .38)

$.050$
(1.27)

$.405 \pm .015$
(10.29 ± .38)

$.050 \pm .010$
(1.27 ± .25)

$.632 \pm .010$
(16.05 ± .25)

$.100 \pm .010$
(2.54 ± .25)

$.032$
(.81) TYP.

$.200 \pm .010$
(5.08 ± .25)

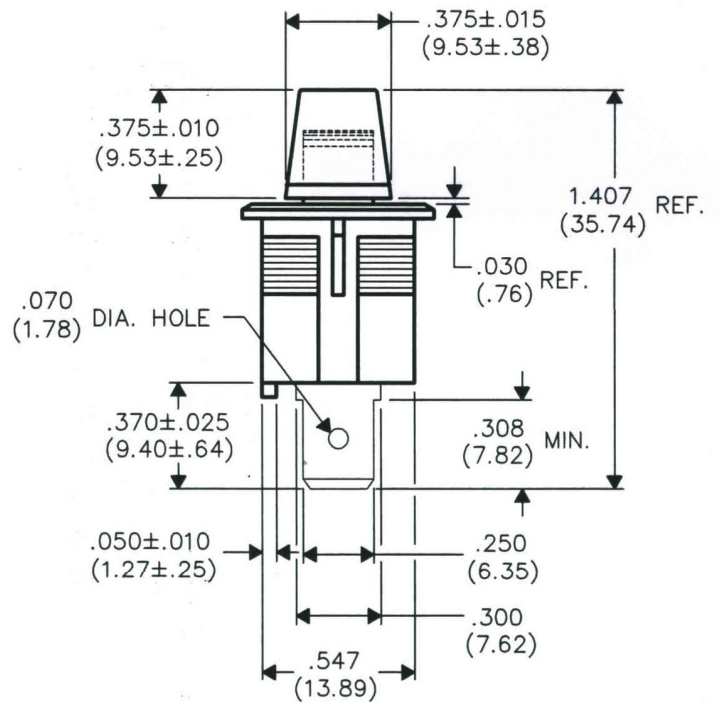
$.375 \pm .010$
(9.53 ± .25)

1.120
(28.45)

$8.0'' \pm .12$ TYP.

BLUE
G-17-003-003

BLACK
G-17-003-004



(LEAD WIRES NOT SHOWN ON THIS VIEW FOR CLARITY)

G-2011-0039