

注記 NOTES

1. 嵌合相手: 53307-***17,53307-***27,53309-***17,53309-***27
MATES WITH
2. ハウジングの C から隣接するターミナルの C 迄の位置を示す。
SHOW POSITION FROM C OF HOUSING TO C OF ADJACENT TERMINALS.
3. 一對の基板の嵌合に於いて、本製品を2個以上使用することは推奨できません。
MXJ DOSE NOT RECOMMEND THE USAGE OF TWO OR MORE OF THESE CONNECTORS BETWEEN A SINGLE PAIR OF P. C. BOARD.

| | | | | | |
|-----|------|-------|------|------------|---------|
| 0.4 | 17.6 | 16.85 | 15.2 | 52465-4027 | 40 |
| 0.8 | 16.8 | 16.05 | 14.4 | -3827 | 38 |
| 0.4 | 16.0 | 15.25 | 13.6 | -3627 | 36 |
| 0.8 | 15.2 | 14.45 | 12.8 | -3427 | 34 |
| 0.4 | 14.4 | 13.65 | 12.0 | -3227 | 32 |
| 0.8 | 13.6 | 12.85 | 11.2 | -3027 | 30 |
| 0.4 | 12.8 | 12.05 | 10.4 | -2827 | 28 |
| 0.8 | 12.0 | 11.25 | 9.6 | -2627 | 26 |
| 0.4 | 11.2 | 10.45 | 8.8 | -2427 | 24 |
| 0.8 | 10.4 | 9.65 | 8.0 | -2227 | 22 |
| 0.4 | 9.6 | 8.85 | 7.2 | -2027 | 20 |
| 0.8 | 8.8 | 8.05 | 6.4 | -1827 | 18 |
| 0.4 | 8.0 | 7.25 | 5.6 | -1627 | 16 |
| 0.8 | 7.2 | 6.45 | 4.8 | -1427 | 14 |
| 0.4 | 6.4 | 5.65 | 4.0 | -1227 | 12 |
| 0.8 | 5.6 | 4.85 | 3.2 | 52465-1027 | 10 |
| D | C | B | A | ENG. NO. | 極数 CKT. |

| 角度 ANGLE | 公差 TOLERANCES | 記号 LTR | 変更内容 REVISION RECORD | DR. CHK. | 日付 DATE |
|-----------------|---------------|--------|----------------------|----------|----------|
| 30以上 OVER | +0.3 | B | 変更 (JC60753) | TA | 96/4/18 |
| 10以上 30未満 UNDER | +0.25 | A | 変更 (J21207) | TI | 93/1/27 |
| 10未満 UNDER | +0.2 | O | 新規作成 (J11001) | Y | 91/11/15 |

| | |
|--------------------|-------------------|
| 材料 MATERIAL | 図中参照 SEE DRAWING |
| 仕上げ FINISH | — |
| 適用電線範囲 WIRE RANGE | — |
| 被覆外径 INS. RANGE | — |
| DRAWN BY '91/11/14 | CHK'D BY '96/4/18 |
| K.ASAKAWA | Y.M.FUKUSHIMA |
| APP'D BY '96/4/18 | 尺 度 SCALE |
| M.FUKUSHIMA | — |

molex MOLEX-JAPAN CO.,LTD.
日本モレックス株式会社

REVISE ONLY ON CAD SYSTEM

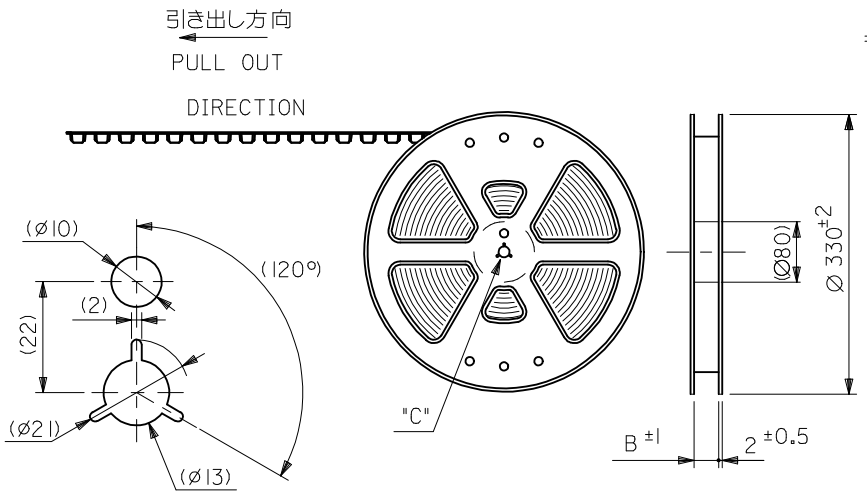
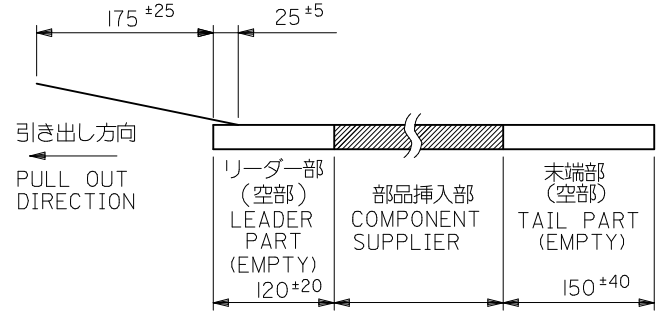
TITLE 名称
0.8 BOARD TO BOARD
CONN. HOUSING ASS'Y SMT
(WITHOUT BOSS)

DWG. NO. SD-52465-***27

REV B

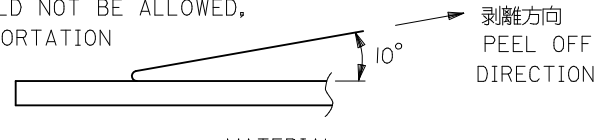
注記 NOTES

1. 梱包数量：1000個/リール NUMBER OF CONNECTORS:1000PCS/REEL
2. リードテープ長さ LEAD TAPE LENGTH
 トップテープ リーダー部 TOP TAPE LEADER PART
 トップテープ 未接着部 TOP TAPE NON-BONDED PART



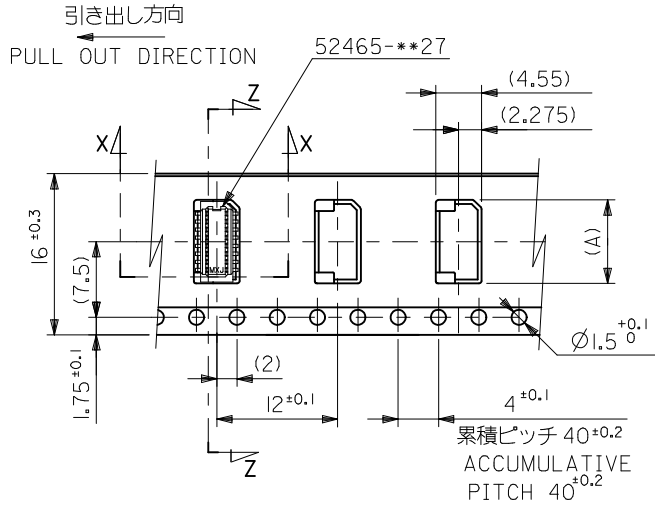
DETAIL "C"

3. トップテープの剥離強度：(剥離方向は下図参照)
 0.1N~0.7N (10.2gf~71.4gf) 尚、本規格値は、出荷時に適用。
 (但し、輸送時に剥離が発生しない事。)
 PEELING OFF FORCE OF TOP TAPE
 0.1N~0.7N(10.2gf~71.4gf)(PEELING DIRECTION AS SHOWN IN FOLLOWING FIG.)
 THIS REQUIREMENT SHOULD BE APPLIED AT SHIPMENT
 PEEL OFF SHOULD NOT BE ALLOWED,
 DURING TRANSPORTATION

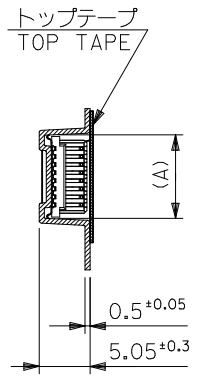


4. 材料
 キャリアテープ：ポリプロピレン (PP) CARRIER TAPE:POLYPROPYLENE
 トップテープ：PET, PE, PEF TOP TAPE:PET,PE,PEF
 リール：ポリスチレン (PS) REEL:POLYSTYRENE(PS)
 <リサイクル材を含む> <RECYCLE MATERIAL CONTAINED>

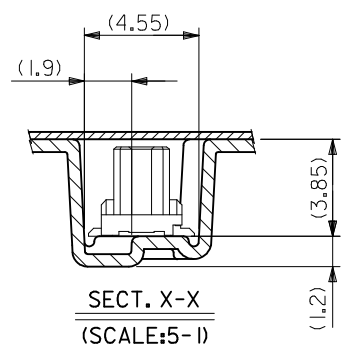
| | | | | |
|--------------------------------|------|-----|--------------|---------------|
| 16 | 17.5 | 6.7 | 52465-1291 | 12 |
| | | 5.9 | 52465-1091 | 10 |
| キャリアテープ幅 CARRIER TAPE WIDTH | B | (A) | MATERIAL NO. | 極数 CIRCUIT |



16mm幅キャリアテープ
16mm WIDTH CARRIER TAPE

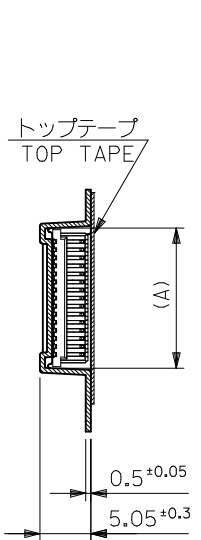


SECT. Z-Z

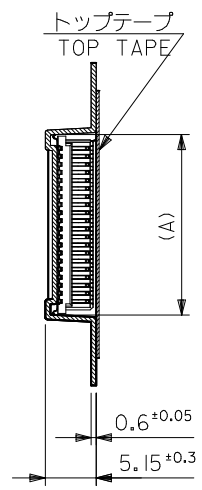
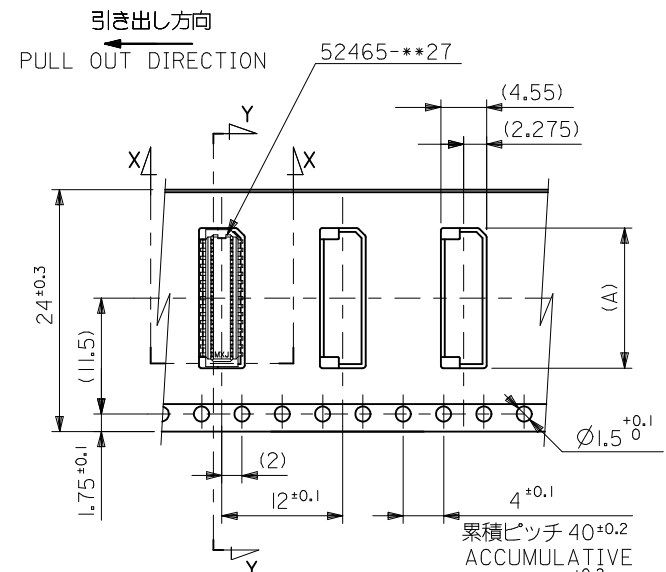


SECT. X-X
(SCALE:5-1)

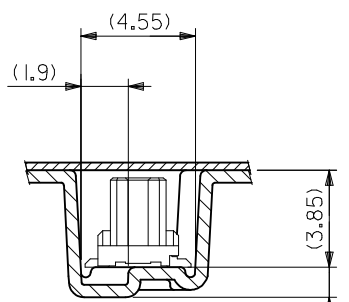
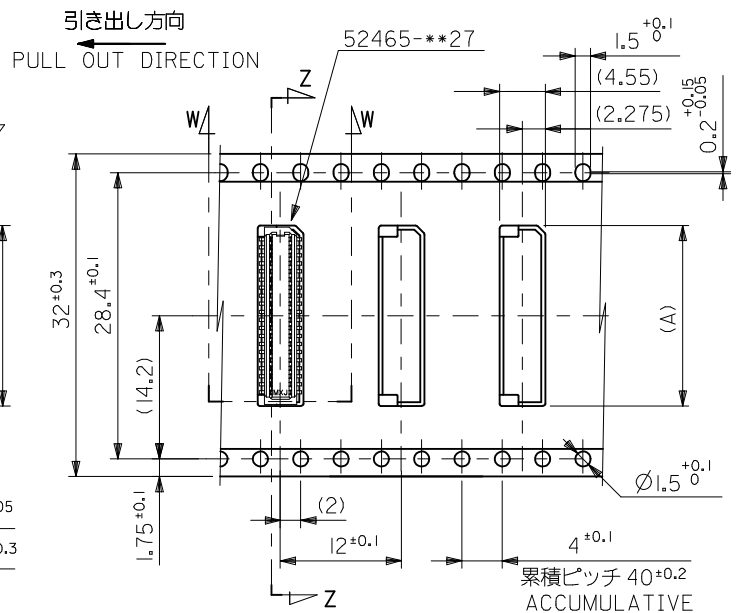
| | | | | | | | |
|------------------------------------------------------------------------------------------------------------------|---------------------------------------|------------------------------------------------------|----------------------------|-------------------------------------------------------------------------------------------------------------------------------|----------------------------------------------|------------------------|----------------------|
| REVISED EC NO: J2009-1417 DRWN:KAKURAA 2008/12/15 CHKD:T. HARUYAMA 2008/12/15 APPR:NUKITA 2009/01/14 | GENERAL TOLERANCES (UNLESS SPECIFIED) | | DIMENSION STYLE MM ONLY | | SCALE --- | DESIGN UNITS METRIC | MODEL NO. 52465-**91 |
| | 10 UNDER | ± --- | DRAWN BY K. ASAKAWA | DATE '91/11/22 | TITLE 0.8 B-T-O-B HSG ASSY SMT EMBSTP PKG | | |
| | 10 OVER 30 UNDER | ± --- | CHECKED BY T. ITO | DATE '00/12/20 | APPROVED BY M. FUKUSHIMA '00/12/20 | | |
| | 30 OVER | ± --- | MATERIAL NO. SEE TABLE | | DOCUMENT NO. SD-52465-041 | | |
| ANGULAR ± --- ° | | DRAFT WHERE APPLICABLE MUST REMAIN WITHIN DIMENSIONS | | MATERIAL NO. SEE TABLE | | | |
| SIZE A3 | | | | THIS DRAWING CONTAINS INFORMATION THAT IS PROPRIETARY TO MOLEX INCORPORATED AND SHOULD NOT BE USED WITHOUT WRITTEN PERMISSION | | | |



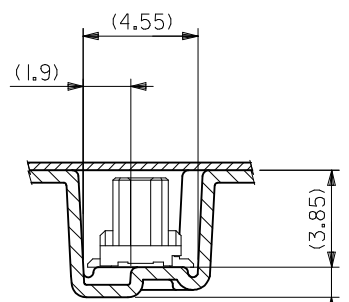
SECT. Y-Y



SECT. Z-Z



SECT. X-X
(SCALE; 5:1)



SECT. W-W
(SCALE; 5:1)

| | | | | |
|--------------------------------|------|------|--------------|---------------|
| 32 | 33.5 | 17.9 | 52465-4091 | 40 |
| 24 | 25.5 | 14.7 | 52465-3291 | 32 |
| | | 13.1 | 52465-2891 | 28 |
| | | 12.3 | 52465-2691 | 26 |
| | | 9.9 | 52465-2091 | 20 |
| キャリアテープ幅 CARRIER TAPE WIDTH | B | (A) | MATERIAL NO. | 極数 CIRCUIT |

| | | | | | | |
|---------------------------------------------------------------------------------------------------------------------|----------------------------------------------------------------------------------------------------------------------------------|------------------------------------------------------------|-----------------------------|------------------------------|-------------------------------------------------|-----------------------|
| REVISED EC NO: J2009-1417 DRWN: MAKURAA 2008/12/15 CHKD: T. HARUYAMA 2008/12/15 APPR: NUKITA 2009/01/14 | GENERAL TOLERANCES (UNLESS SPECIFIED) | | DIMENSION STYLE MM ONLY | SCALE --- | DESIGN UNITS METRIC | MODEL NO. 52465-***91 |
| | 10 UNDER | ± --- | DRAWN BY K. ASAKAWA | DATE '91/11/22 | TITLE 0.8 B-T-O-B HSG ASSY SMT EMBSTP PKG | |
| | 10 OVER 30 UNDER | ± --- | CHECKED BY T. ITO | DATE '00/12/20 | | |
| | 30 OVER | ± --- | APPROVED BY M. FUKUSHIMA | DATE '00/12/20 | MOLEX INCORPORATED | |
| DESCRIPTION | ANGULAR ± --- ° | DRAFT WHERE APPLICABLE MUST REMAIN WITHIN DIMENSIONS | MATERIAL NO. SEE TABLE | DOCUMENT NO. SD-52465-041 | SHEET NO. 2 OF 2 | |
| REV | THIS DRAWING CONTAINS INFORMATION THAT IS PROPRIETARY TO MOLEX INCORPORATED AND SHOULD NOT BE USED WITHOUT WRITTEN PERMISSION | | | | | |