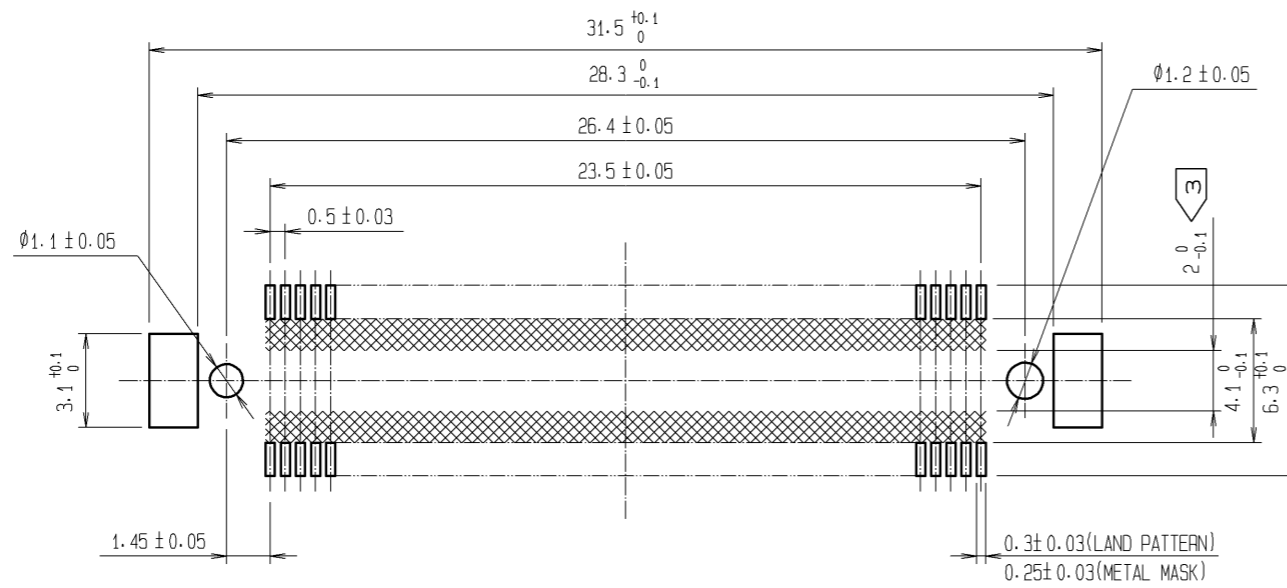


RECOMMENDED LAND PATTERN DIMENSION OF PCB
(RECOMMENDED METAL MASK THICKNESS: 0.15mm)

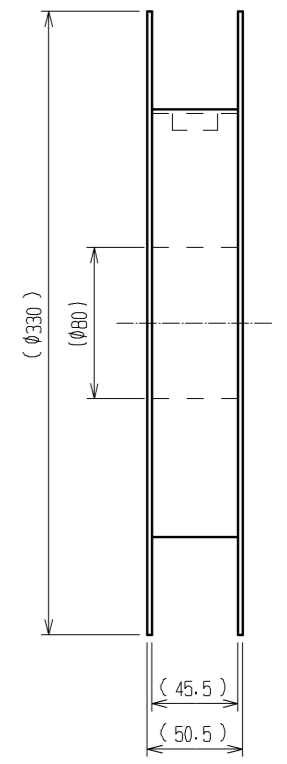
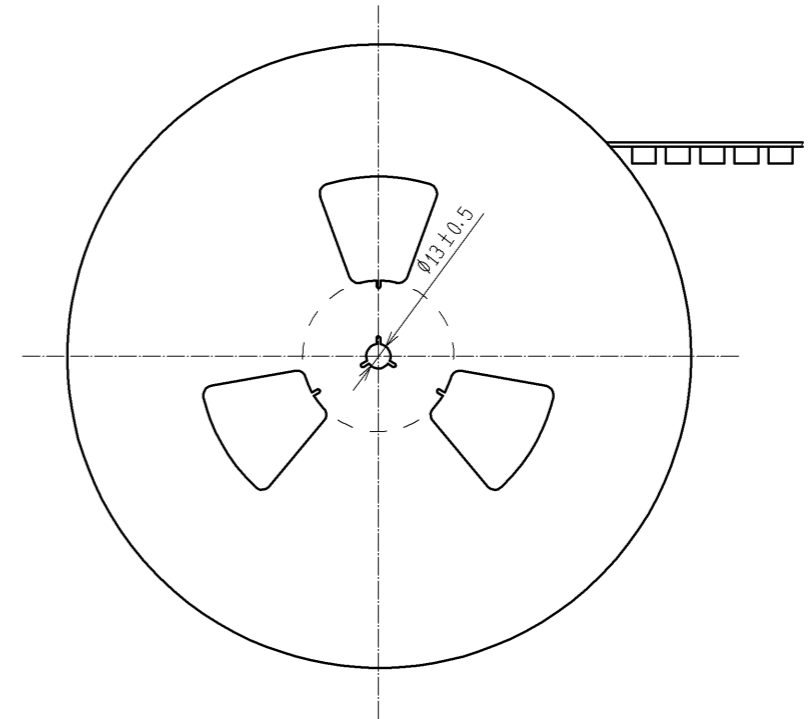
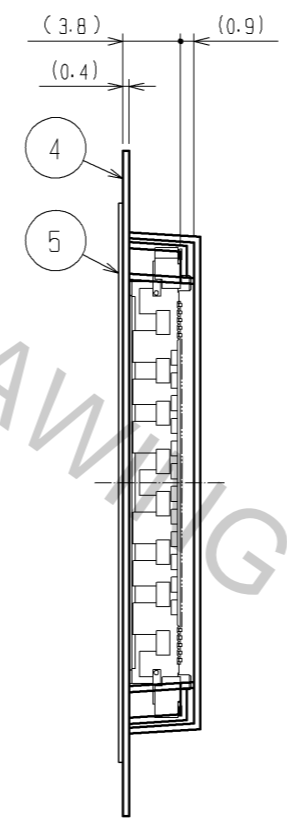
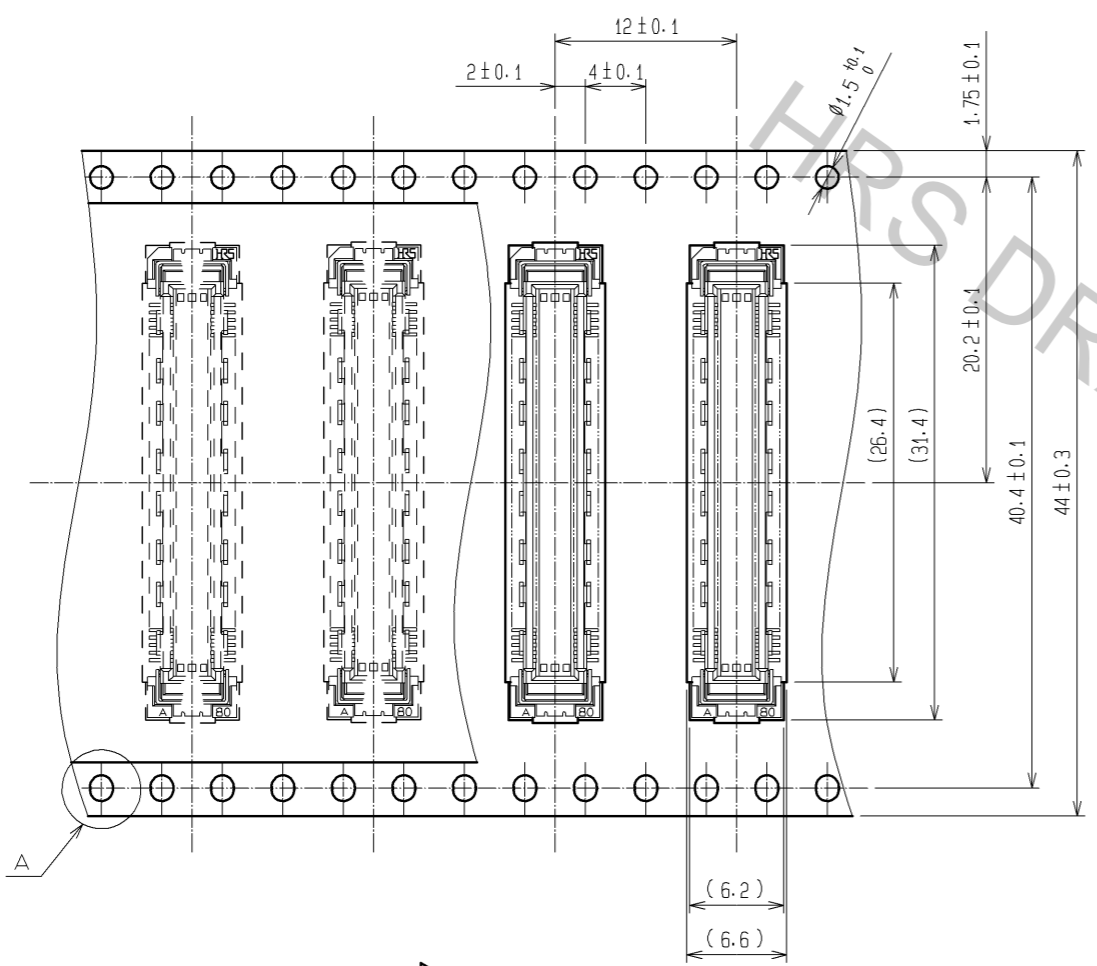


- NOTES
- 1 SMT LEAD-COPLANARITY: 0.1 MAX.
 - 2 THIS PRODUCT HAS NO POLARITY TO PATTERN FOR MOUNTING.
 - 3 MAKE SURE WIDTH OF PATTERN IS WITHIN THAT OF LAND, OR LEAD MAY TOUCH PATTERN. (THIS APPLIES TO HATCHED AREA.)
 - 4 EMBOSS CARRIER TAPE PACKAGE IS APPLIED ON THIS PRODUCT. PLEASE REFER TO THE SHEET 2/2 FOR THE DETAILS.
 - 5 THE DIMENSIONS IN PARENTHESES ARE FOR REFERENCE.

| 3 | PHOSPHOR BRONZE | TIN-PLATING | | | | | | |
|-------|-----------------|--|---------|---|--------------------------|----------|---------|------|
| 2 | PHOSPHOR BRONZE | CONTACT AREA: GOLD 0.1µm min. LEAD AREA: TIN-PLATING 1µm min. UNDER PLATING: NICKEL 1µm min. | 5 | POLYESTER | TOP COVER TAPE | | | |
| 1 | LCP | BEIGE UL94V-0 | 4 | POLYSTYRENE | EMBOSSED CARRIER TAPE | | | |
| NO. | MATERIAL | FINISH | REMARKS | NO. | MATERIAL | FINISH | REMARKS | |
| UNITS | mm | SCALE | 4:1 | COUNT | DESCRIPTION OF REVISIONS | DESIGNED | CHECKED | DATE |
| | | APPROVED: HT. YAMAGUCHI 10.07.29 CHECKED: HT. YAMAGUCHI 10.07.29 DESIGNED: SY. KAMIGA 10.07.29 DRAWN: HK. SUNADORI 10.07.28 | | DRAWING NO. EDC3-151952-21 PART NO. FX10A-96P-SV(91) CODE NO. CL570-0041-0-91 | | 1/2 | | |

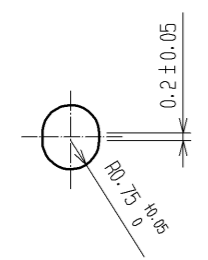
DRAWING FOR PACKING(2:1)

REELED DIMENSION(Free)



THE DIRECTION OF PULLING OUT →

A (5:1)



- NOTES
- 1 REEL : 1000 CONNECTORS.
 - 2 MINIMUM 10 COMPARTMENTS FROM BOTH REEL ENDS REMAIN EMPTY.
 - 3 THIS PRODUCT HAS NO POLARITY TO TAPE AND REEL PACKAGING.
 - 4 THE DIMENSIONS IN PARENTHESES ARE FOR REFERENCE.

| | | |
|------------|-------------|------------------|
| HRS | DRAWING NO. | EDC3-151952-21 |
| | PART NO. | FX10A-96P-SV(91) |
| | CODE NO. | CL570-0041-0-91 |
| | | △ 2/2 |

Apr.1.2017 Copyright 2017 HIROSE ELECTRIC CO., LTD. All Rights Reserved.