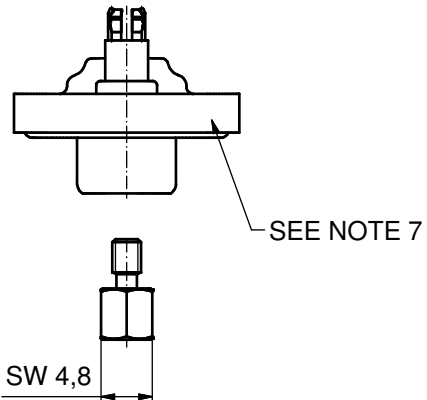
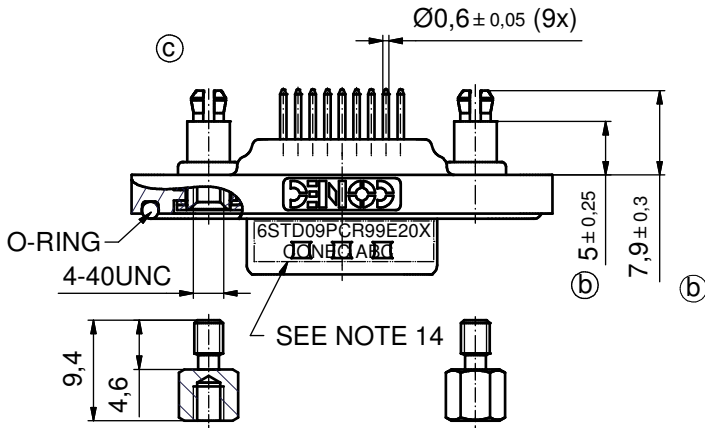
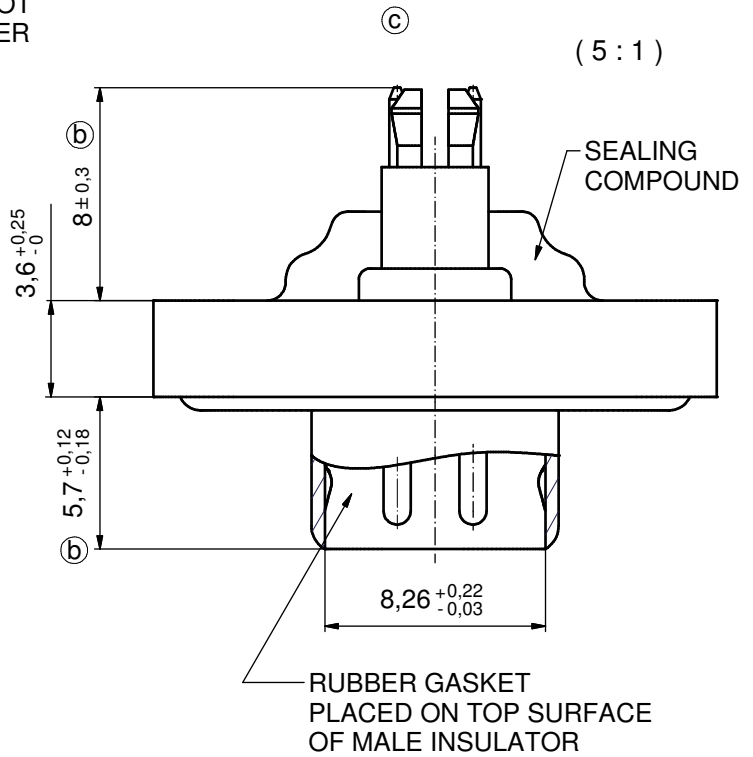
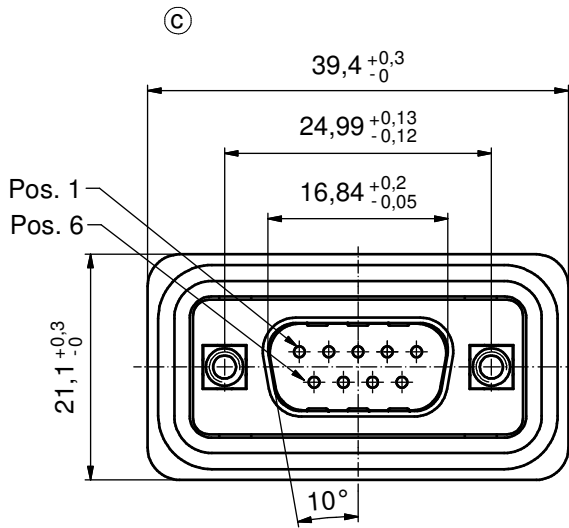
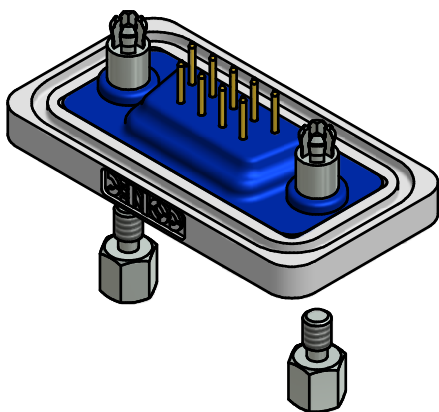


AT ALL TIMES WATER RESISTANT CONNECTORS NOT IN USE SHOULD BE COVERED WITH A CONEC WATER RESISTANT CAP OR WATER TIGHT HOOD.



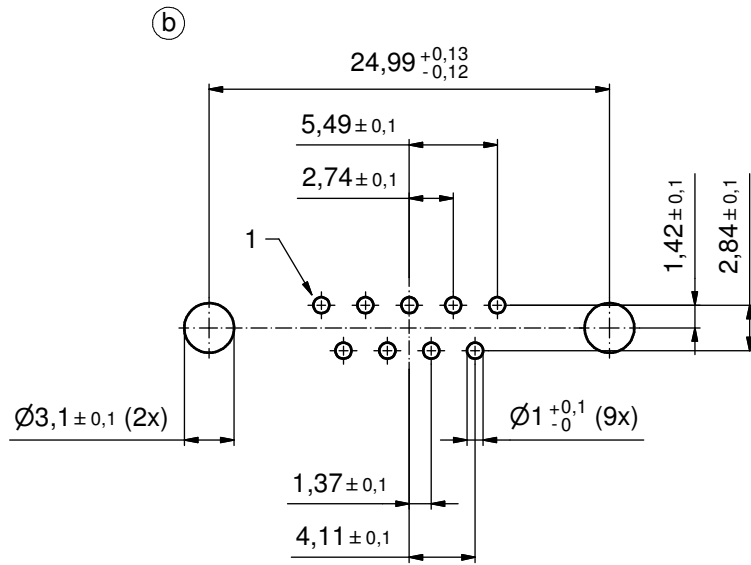
NOTES: (C)

1. FOR WAVESOLDERING (SOLDER BATH TEMPERATURE 240°C FOR 5 SEC. AND SOLDER PREHEAT 120°C FOR 120 SEC.)
2. METALSHELLS: COPPER ALLOY; min. 315µm TIN over 40-80µm NICKEL
3. INSULATORS: PBT GF UL 94 V-0; BLACK
4. CONTACTS: COPPER ALLOY  
PLATING: 30µm HARD GOLD over min. 50µm NICKEL
5. THREADED SPACER CLIPS: COPPER ALLOY; min. 200µm TIN over 80µm NICKEL  
PCB-HOLE:  $\varnothing 3,1 \pm 0,1$ ; PCB THICKNESS 1,6mm
6. COLLARS: COPPER ALLOY; min. 200µm TIN over 80µm NICKEL
7. FRAME: ZINC DIE CAST; NICKEL PLATED
8. O-RING: SILICON; BLUE
9. RUBBER GASKET: TPE; BLACK
10. SEALING COMPOUND: PUR; BLUE
11. HEXLOCKING SCREWS: STAINLESS STEEL
12. P.C.B. HOLE DRILLINGS + RECOMMENDED PANEL CUT-OUT ON SHEET 2
13. RECOMMENDED TORQUE FOR MOUNTING SCREW 35Ncm (3.1 in.LB) / max. 40Ncm (3.5 in.LB)
14. CONNECTOR IS PART MARKED: [6STD09PCR99E20X CONEC ABC] (b)

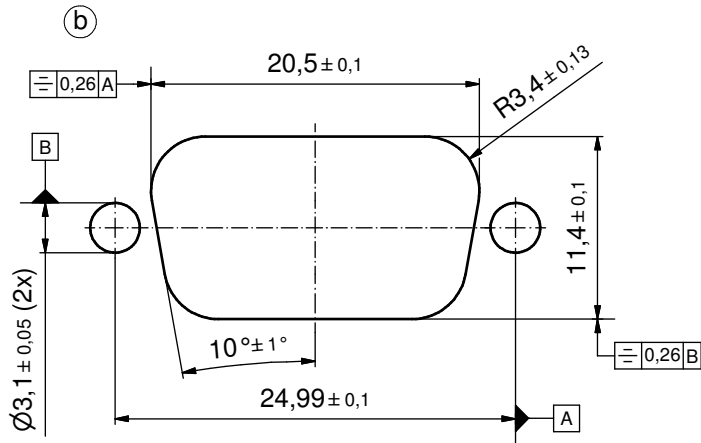


THIS DRAWING MAY NOT BE COPIED OR REPRODUCED IN ANY WAY, AND MAY NOT BE PASSED ON TO A THIRD PARTY WITHOUT WRITTEN PERMISSION. OWNERSHIP AND COPYRIGHT OF CONEC GmbH DO NOT ALTER CAD DRAWING BY HAND	tolerance		dim. in mm		scale:	2:1 (5:1)	
					material:	SEE NOTES	
			date	name	title:		
			drawn	04.04.04	Lehmenkühler	<b>D-SUB MALE</b> 9pos. SOLDER PIN STRAIGHT with threaded spacer clip and hexlocking screw	
		appd.	04.02.04	Mickenbecker			
		norm	DIN 41652				
5 x c	Ä3963	11.04.2011	K.H.	d-old	dwg no:		DIN-A3
5 x b	Ä1983	31.03.2004	Mkf.				
a	Original						sh: 1/8
rev.	description	date	name	<b>CONEC</b> ®		part no:	6STD09PCR99E20X

Directive 2002/95/EC RoHS compliant

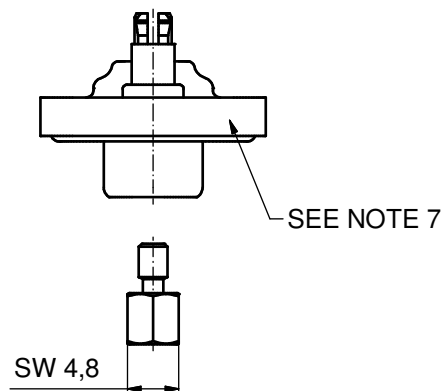
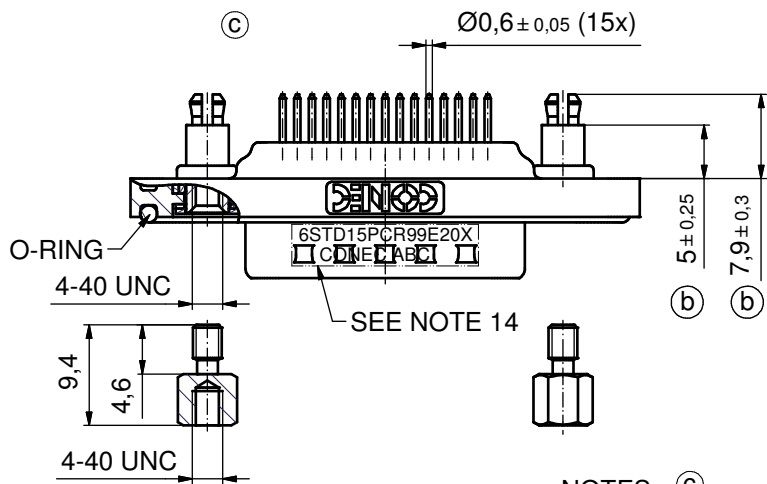
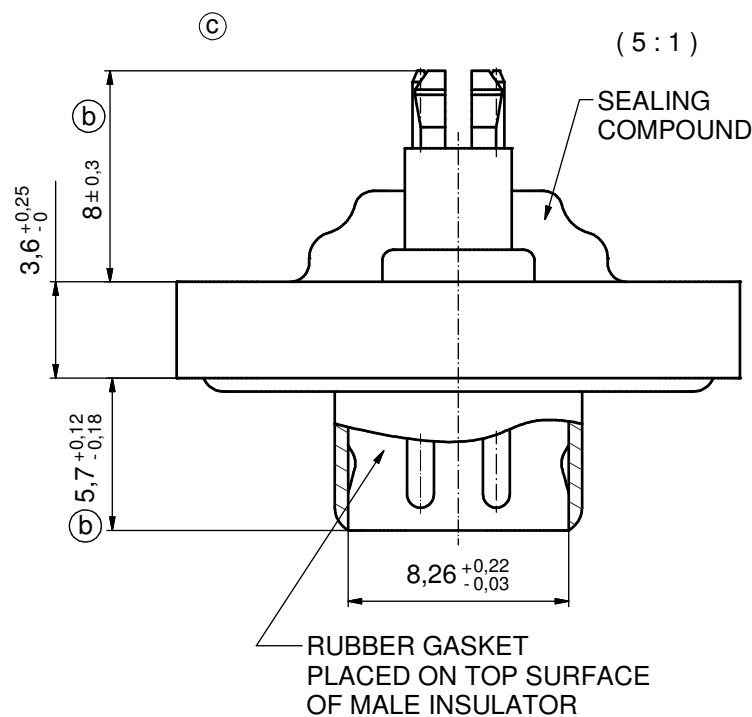
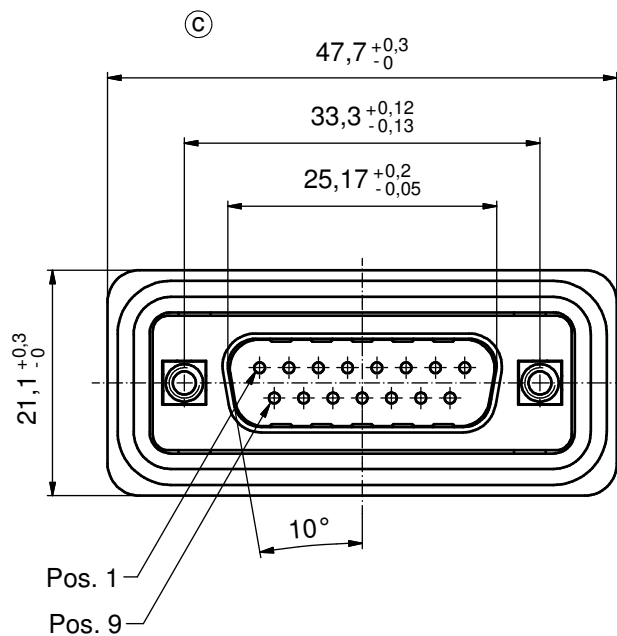


P.C.B. HOLE DRILLINGS  
(P.C.B. TOP SIDE)



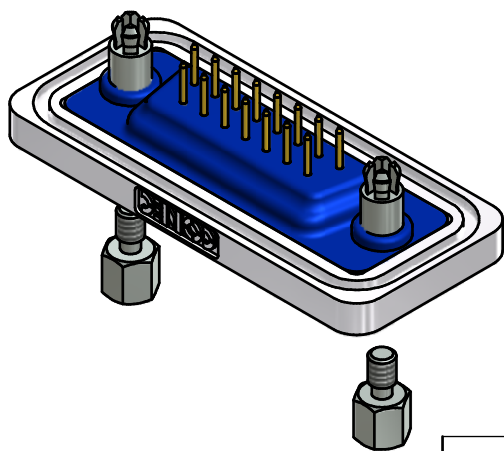
RECOMMENDED PANEL CUT-OUT

THIS DRAWING MAY NOT BE COPIED OR REPRODUCED IN ANY WAY, AND MAY NOT BE PASSED ON TO A THIRD PARTY WITHOUT WRITTEN PERMISSION. OWNERSHIP AND COPYRIGHT OF CONEC GmbH  DO NOT ALTER CAD DRAWING BY HAND				tolerance		scale: 3:1
				date	name	material: SEE SHEET 1
				drawn	04.02.04	Lehmenkühler
				appd.	04.02.04	Mickenbecker
				norm		
			d-old			
3 x b	A3963	11.04.2011	K.H.	title: <b>P.C.B. HOLE DRILLINGS</b> RECOMMENDED PANEL CUT-OUT D-SUB MALE 9pos. Solder pin straight		
a	Original					
rev.	description	date	name			dwg no: 18K1A245
				part no: SEE SHEET 1		DIN-A3 sh: 2/8



NOTES: (C)

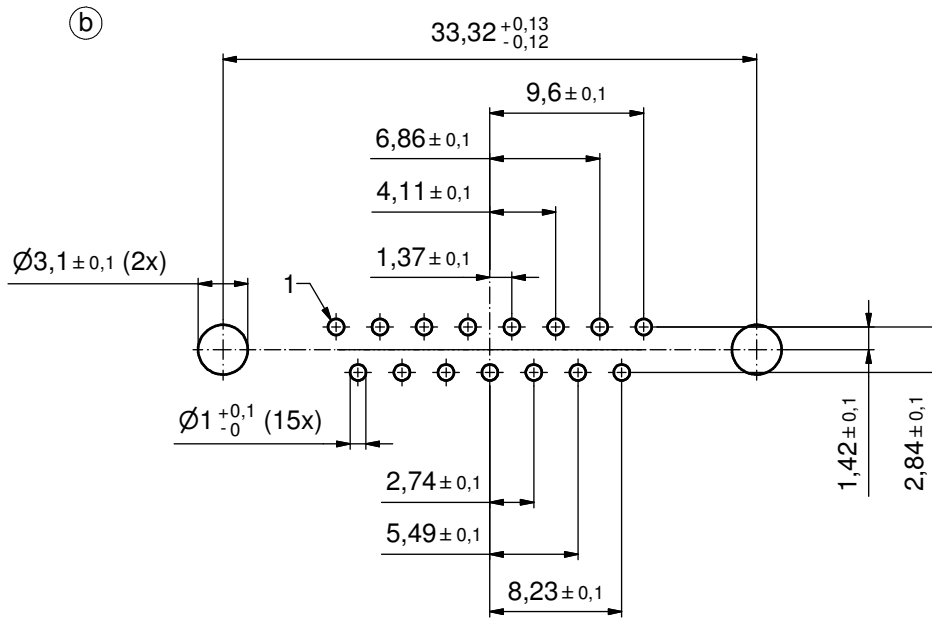
1. FOR WAVESOLDERING (SOLDER BATH TEMPERATURE 240°C FOR 5 SEC. AND SOLDER PREHEAT 120°C FOR 120 SEC.)
2. METALSHELLS: COPPER ALLOY; min. 315µm TIN over 40-80µm NICKEL
3. INSULATORS: PBT GF UL 94 V-0; BLACK
4. CONTACTS: COPPER ALLOY  
PLATING: 30µm HARD GOLD over min. 50µm NICKEL
5. THREADED SPACER CLIPS: COPPER ALLOY; min. 200µm TIN over 80µm NICKEL  
PCB-HOLE:  $\phi 3,1 \pm 0,1$ ; PCB THICKNESS 1,6mm
6. COLLARS: COPPER ALLOY; min. 200µm TIN over 80µm NICKEL
7. FRAME: ZINC DIE CAST; NICKEL PLATED
8. O-RING: SILICON; BLUE
9. RUBBER GASKET: TPE; BLACK
10. SEALING COMPOUND: PUR; BLUE
11. HEXLOCKING SCREWS: STAINLESS STEEL
12. P.C.B. HOLE DRILLINGS + RECOMMENDED PANEL CUT-OUT ON SHEET 2
13. RECOMMENDED TORQUE FOR MOUNTING SCREW 35Ncm (3.1 in.LB) / max. 40Ncm (3.5 in.LB)
14. CONNECTOR IS PART MARKED: [6STD15PCR99E20X CONEC ABC] (b)



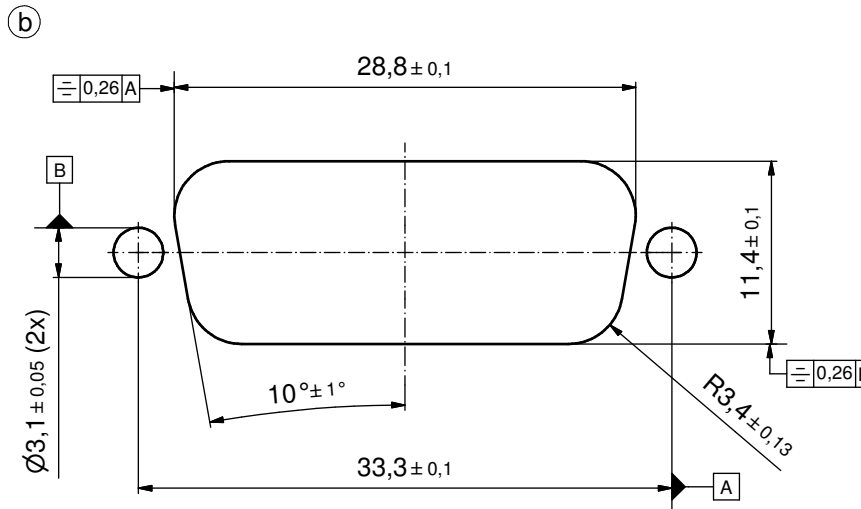
Directive 2002/95/EC RoHS compliant

tolerance				dim. in mm		scale: 2:1 (5:1)	
						material: SEE NOTES	
DO NOT ALTER CAD DRAWING BY HAND				date		title:	
				drawn 04.02.04 Lehmenkühler		D-SUB MALE 15pos. SOLDER PIN STRAIGHT with threaded spacer clip and hexlocking screw	
				appd. 04.02.04 Mickenbecker			
norm DIN 41652				dwg no:		DIN-A3	
5 x c Ä3963 11.04.2011 K.H. d-old				5 x b Ä1983 31.03.2004 Mkf.		18K1A245	
a Original				CONEC®		(C)sh: 3/8	
rev. description date name				part no: 6STD15PCR99E20X			

THIS DRAWING MAY NOT BE COPIED OR REPRODUCED IN ANY WAY, AND MAY NOT BE PASSED ON TO A THIRD PARTY WITHOUT WRITTEN PERMISSION. OWNERSHIP AND COPYRIGHT OF CONEC GmbH



**P.C.B. HOLE DRILLINGS**  
( P.C.B. TOP SIDE )



**RECOMMENDED PANEL CUT-OUT**

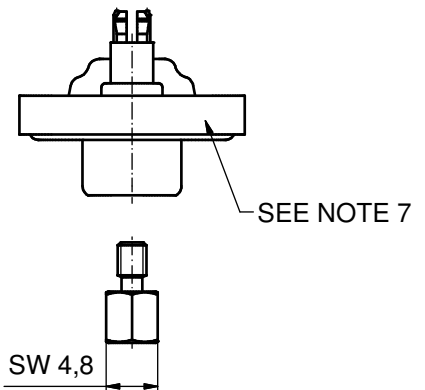
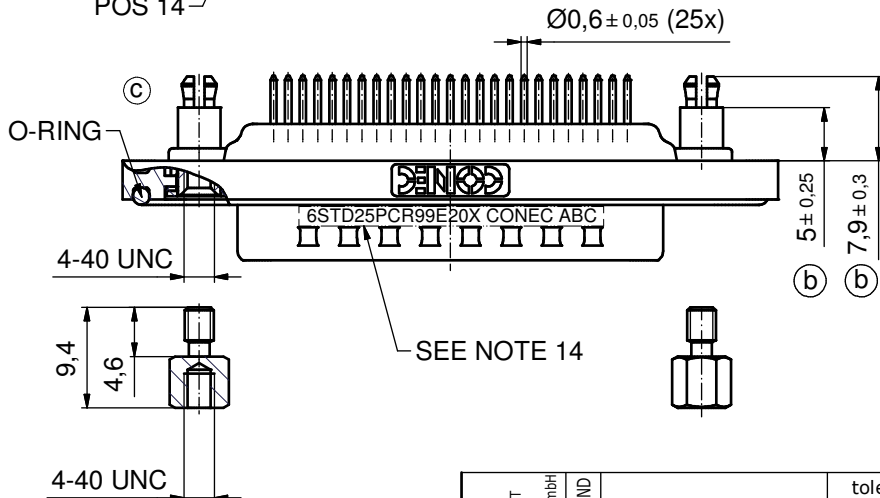
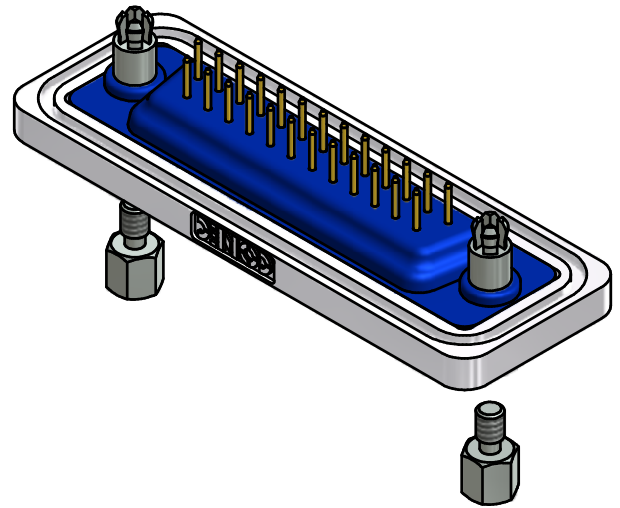
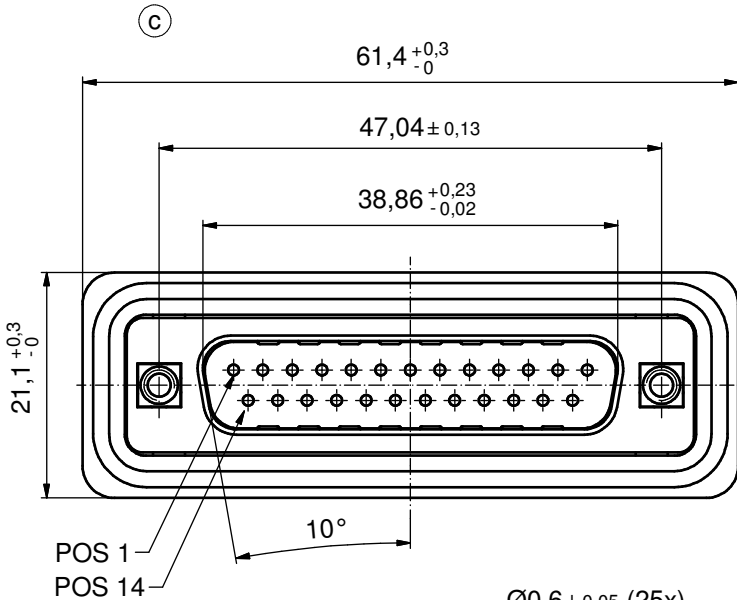
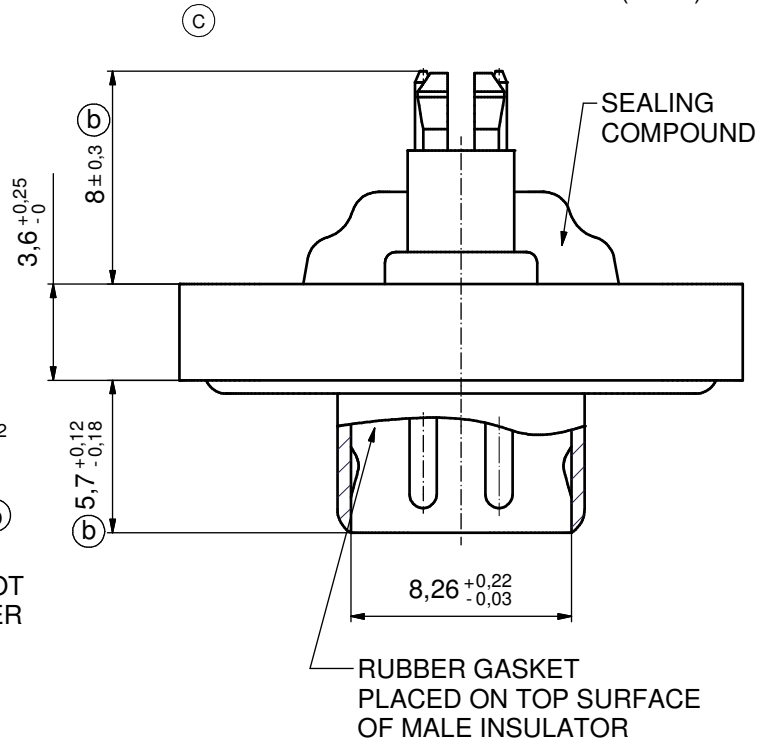
THIS DRAWING MAY NOT BE COPIED OR REPRODUCED IN ANY WAY, AND MAY NOT BE PASSED ON TO A THIRD PARTY WITHOUT WRITTEN PERMISSION. OWNERSHIP AND COPYRIGHT OF CONEC GmbH DO NOT ALTER CAD DRAWING BY HAND				tolerance		dim. in mm	scale: 3:1		
							material: SEE SHEET 3		
				date	name		title:		
				drawn	04.02.04	Lehmenkühler		<b>P.C.B. HOLE DRILLINGS</b> <b>RECOMMENDED PANEL CUT-OUT</b> D-SUB Male 15pos. Solder pin straight	
				appd.	04.02.04	Mickenbecker			
			norm		DIN 41652		dwg no:		
			d-old			18K1A245		DIN-A3	
			3 x b	A3963	11.04.2011	K.H.		(b) sh: 4/8	
			rev.	description	date	name		part no: SEE SHEET 3	

NOTES: (C)

1. FOR WAVESOLDERING (SOLDER BATH TEMPERATURE 240°C FOR 5 SEC. AND SOLDER PREHEAT 120°C FOR 120 SEC.)
2. METALSHELLS: COPPER ALLOY; min. 315µm TIN over 40-80µm NICKEL
3. INSULATORS: PBT GF UL 94 V-0; BLACK
4. CONTACTS: COPPER ALLOY  
PLATING: 30µm HARD GOLD over min. 50µm NICKEL
5. THREADED SPACER CLIPS: COPPER ALLOY;  
min. 200µm TIN over 80µm NICKEL  
PCB-HOLE:  $\varnothing 3,1 \pm 0,1$ ; PCB THICKNESS 1,6mm
6. COLLARS: COPPER ALLOY; min. 200µm TIN over 80µm NICKEL
7. FRAME: ZINC DIE CAST; NICKEL PLATED
8. O-RING: SILICON; BLUE
9. RUBBER GASKET: TPE; BLACK
10. SEALING COMPOUND: PUR; BLUE
11. HEXLOCKING SCREWS: STAINLESS STEEL
12. P.C.B. HOLE DRILLINGS + RECOMMENDED PANEL CUT-OUT ON SHEET 2
13. RECOMMENDED TORQUE FOR MOUNTING SCREW 35Nm (3.1 in.LB) / max. 40Nm (3.5 in.LB)
14. CONNECTOR IS PART MARKED: 6STD25PCR99E20X CONEC ABC (b)

AT ALL TIMES WATER RESISTANT CONNECTORS NOT IN USE SHOULD BE COVERED WITH A CONEC WATER RESISTANT CAP OR WATER TIGHT HOOD.

(5:1)



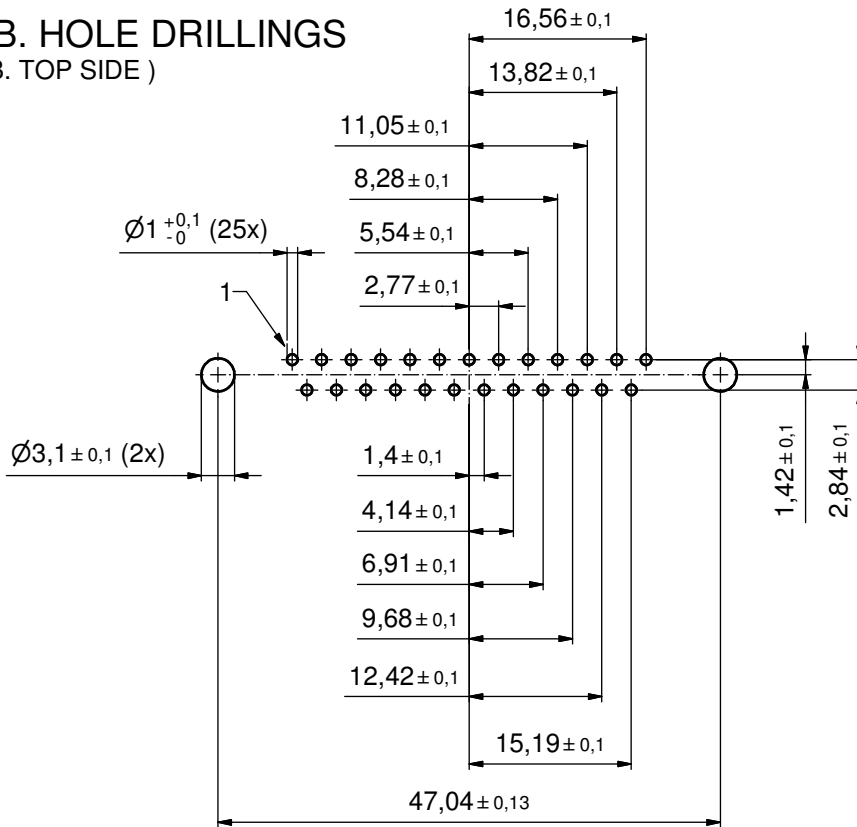
Directive 2002/95/EC RoHS compliant

THIS DRAWING MAY NOT BE COPIED OR REPRODUCED IN ANY WAY, AND MAY NOT BE PASSED ON TO A THIRD PARTY WITHOUT WRITTEN PERMISSION. OWNERSHIP AND COPYRIGHT OF CONEC GmbH DO NOT ALTER CAD DRAWING BY HAND				tolerance		dim. in mm		scale: 2:1 (5:1)	
				date		name		material: SEE NOTES	
				drawn	04.02.04	Lehmenkühler		title: D-SUB MALE 25pos. SOLDER PIN STRAIGHT with threaded spacer clip and hexlocking screw	
				appd.	04.02.04	Mickenbecker			
norm		DIN 41652		dwg no:		DIN-A3			
5 x c	Ä3963	11.04.2011	K.H.	d-old	18K1A245		(C) sh: 5/8		
5 x b	Ä1983	31.03.2004	Mkf.	part no: 6STD25PCR99E20X					
a	Original								
rev.	description	date	name						

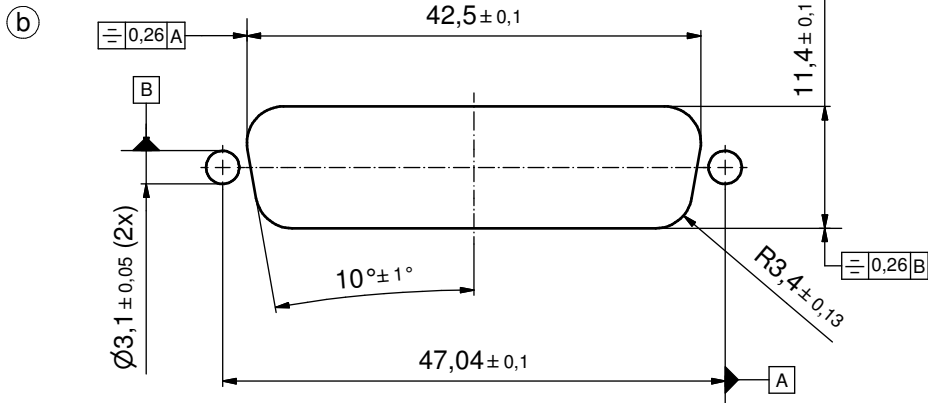
**CONEC**

# P.C.B. HOLE DRILLINGS ( P.C.B. TOP SIDE )

(b)



# RECOMMENDED PANEL CUT-OUT

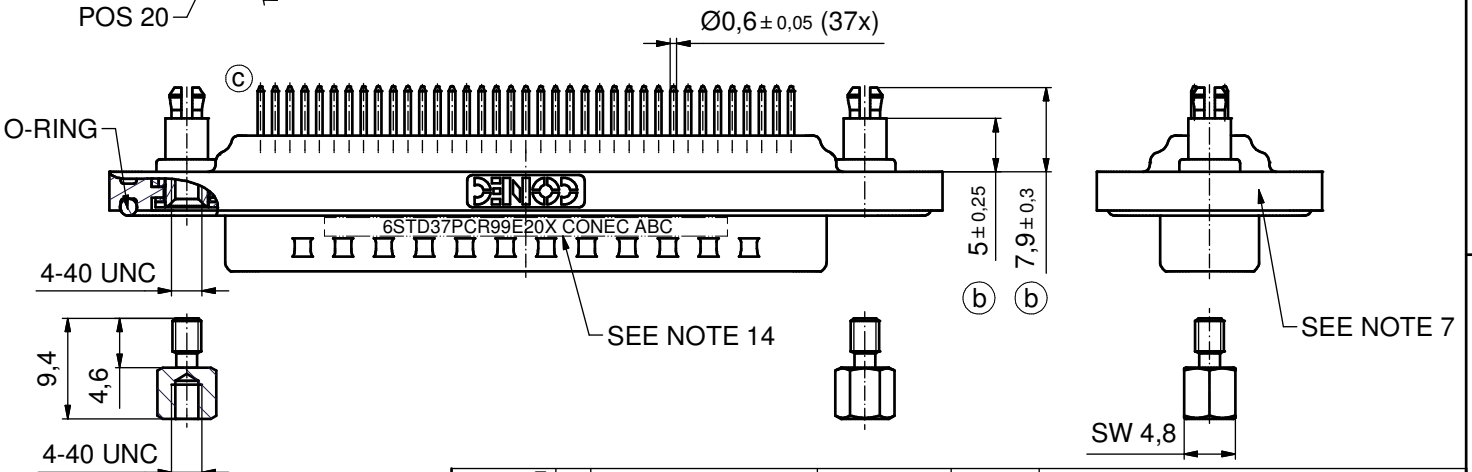
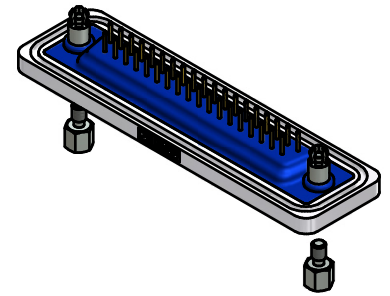
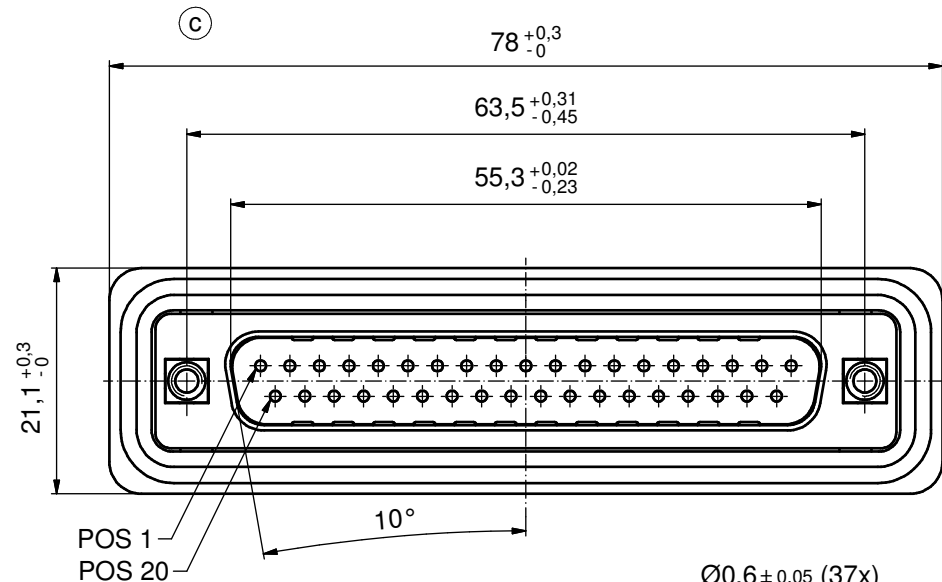
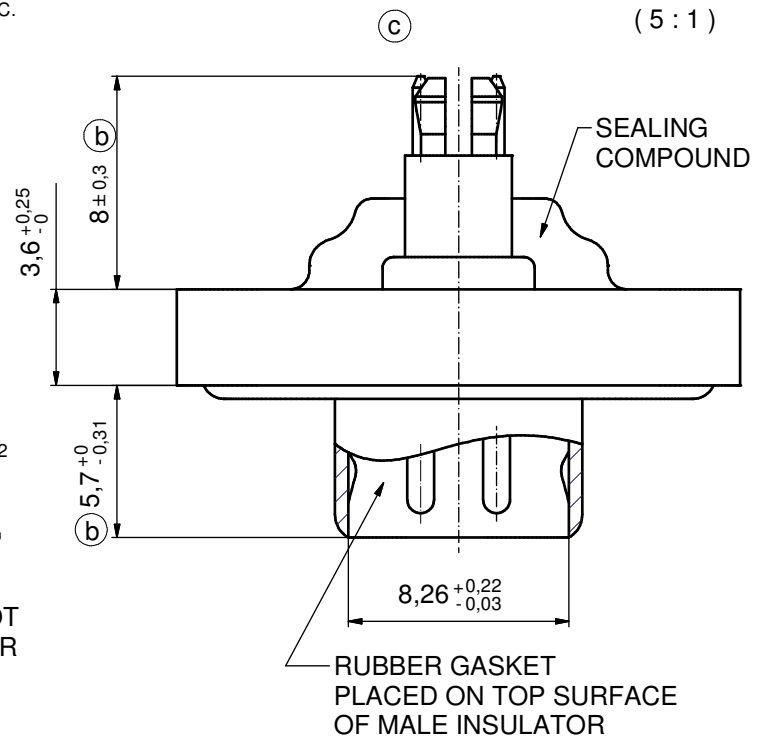


THIS DRAWING MAY NOT BE COPIED OR REPRODUCED IN ANY WAY, AND MAY NOT BE PASSED ON TO A THIRD PARTY WITHOUT WRITTEN PERMISSION. OWNERSHIP AND COPYRIGHT OF CONEC GmbH  DO NOT ALTER CAD DRAWING BY HAND				tolerance		scale: 2:1
				date	name	material: SEE SHEETS
				drawn	04.02.04	Lehmenkühler
				appd.	04.02.04	Mickenbecker
				norm		
			d-old			title: P.C.B. HOLE DRILLINGS RECOMMENDED PANEL CUT-OUT D-SUB MALE 25pos. SOLDER PIN STRAIGHT
3 x b	A3963	11.04.2011	K.H.			dwg no: 18K1A245
a	Original					DIN-A3 sh: 6/8
rev.	description	date	name			part no: SEE SHEETS

NOTES: (C)

- FOR WAVESOLDERING (SOLDER BATH TEMPERATURE 240°C FOR 5 SEC. AND SOLDER PREHEAT 120°C FOR 120 SEC.)
- METALSHELLS: COPPER ALLOY; min. 315µin TIN over 40-80µin NICKEL
- INSULATORS: PBT GF UL 94 V-0; BLACK
- CONTACTS: COPPER ALLOY  
PLATING: 30µin HARD GOLD over min. 50µin NICKEL
- THREADED SPACER CLIPS: COPPER ALLOY;  
min. 200µin TIN over 80µin NICKEL  
PCB-HOLE:  $\varnothing 3,1 \pm 0,1$ ; PCB THICKNESS 1,6mm
- COLLARS: COPPER ALLOY; min. 200µin TIN over 80µin NICKEL
- FRAME: ZINC DIE CAST; NICKEL PLATED
- O-RING: SILICON; BLUE
- RUBBER GASKET: TPE; BLACK
- SEALING COMPOUND: PUR; BLUE
- HEXLOCKING SCREWS: STAINLESS STEEL
- P.C.B. HOLE DRILLINGS + RECOMMENDED PANEL CUT-OUT ON SHEET 2
- RECOMMENDED TORQUE FOR MOUNTING SCREW 35Ncm (3.1 in.LB) / max. 40Ncm (3.5 in.LB)
- CONNECTOR IS PART MARKED: 6STD37PCR99E20X CONEC ABC (b)

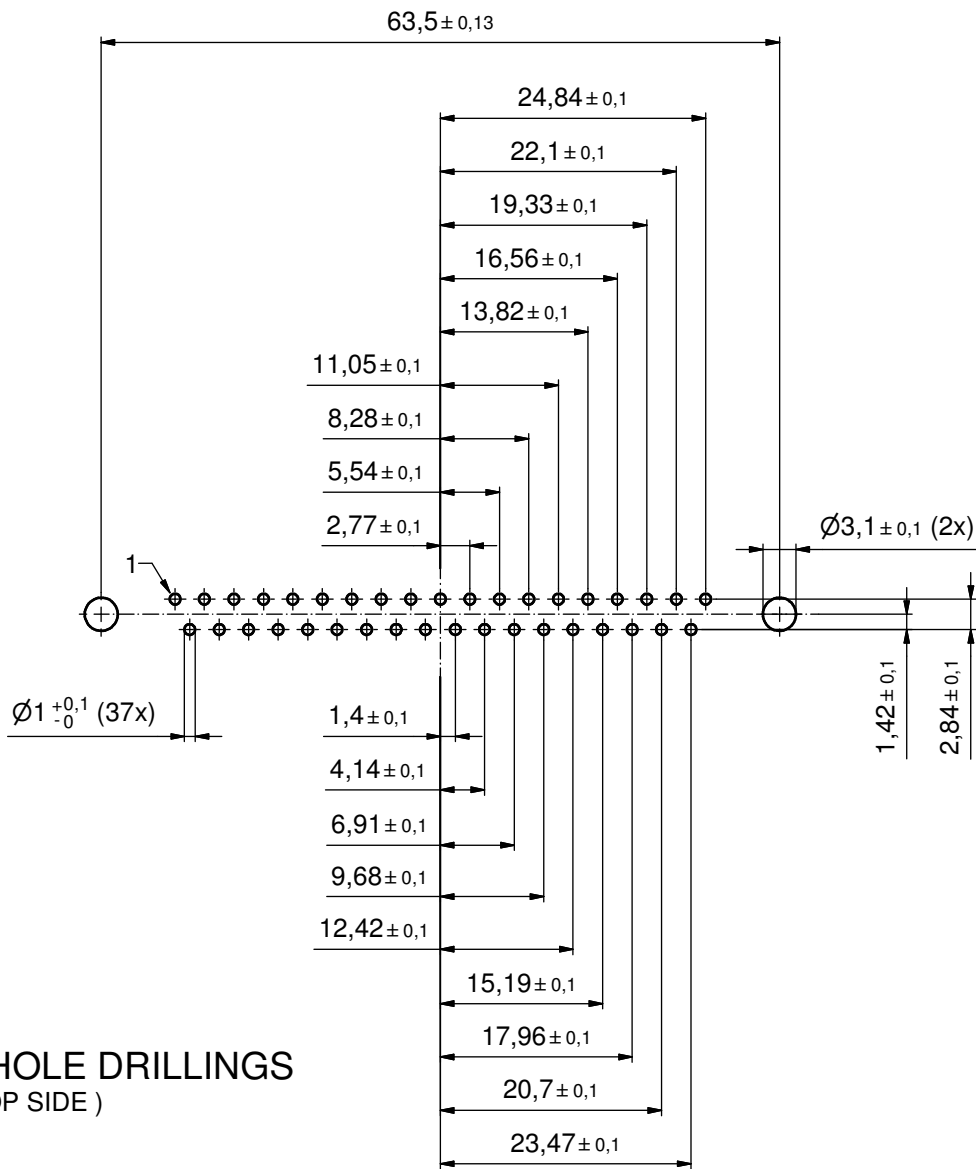
AT ALL TIMES WATER RESISTANT CONNECTORS NOT IN USE SHOULD BE COVERED WITH A CONEC WATER RESISTANT CAP OR WATER TIGHT HOOD.



THIS DRAWING MAY NOT BE COPIED OR REPRODUCED IN ANY WAY, AND MAY NOT BE PASSED ON TO A THIRD PARTY WITHOUT WRITTEN PERMISSION. OWNERSHIP AND COPYRIGHT OF CONEC GmbH DO NOT ALTER CAD DRAWING BY HAND	tolerance		dim. in mm		scale: 2:1 (5:1)
					material: SEE NOTES
	drawn	04.02.04	Lehmenkühler		title: D-SUB MALE 37pos. SOLDER PIN STRAIGHT with threaded spacer clip and hexlocking screw
	appd.	04.02.04	Mickenbecker		
	norm				
5 x c	Ä3963	11.04.2011	K.H.	d-old	dwg no:
5 x b	Ä1983	31.03.2004	Mkf.		DIN-A3
a	Original				18K1A245 (C)
rev.	description	date	name	part no: 6STD37PCR99E20X	

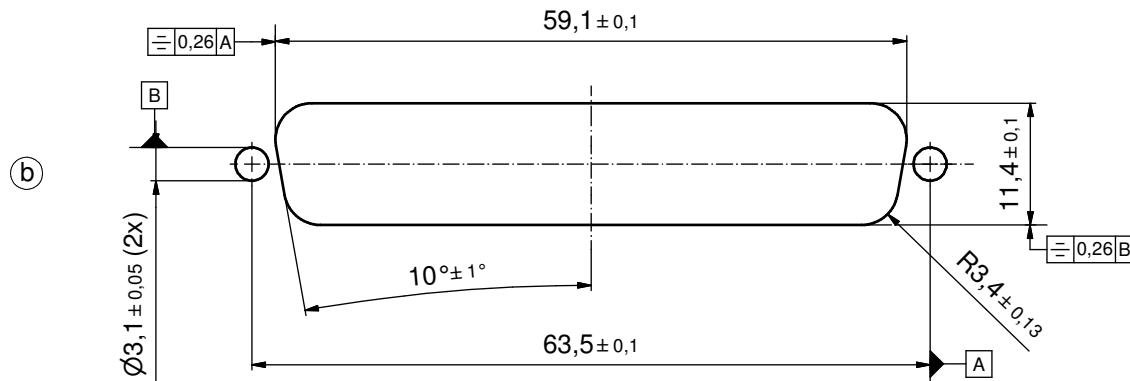
Directive 2002/95/EC RoHS compliant

**CONEC**



**P.C.B. HOLE DRILLINGS**  
( P.C.B. TOP SIDE )

**RECOMMENDED PANEL CUT-OUT**



Directive 2002/95/EC RoHS compliant

THIS DRAWING MAY NOT BE COPIED OR REPRODUCED IN ANY WAY, AND MAY NOT BE PASSED ON TO A THIRD PARTY WITHOUT WRITTEN PERMISSION. OWNERSHIP AND COPYRIGHT OF CONEC GmbH DO NOT ALTER CAD DRAWING BY HAND				tolerance		dim. in mm	scale: 2:1		
							material: SEE SHEET 7		
				date	name		title: <b>P.C.B. HOLE DRILLINGS</b> RECOMMENDED PANEL CUT-OUT D-SUB MALE 37pos. SOLDER PIN STRAIGHT		
				drawn	04.02.04	Lehmenkühler			
				appd.	04.02.04	Mickenbecker			
			norm		d-old		dwg no:		
3 x b A3963 11.04.2011 K.H.							18K1A245		
a Original							part no: SEE SHEET 7		DIN-A3 sh: 8/8