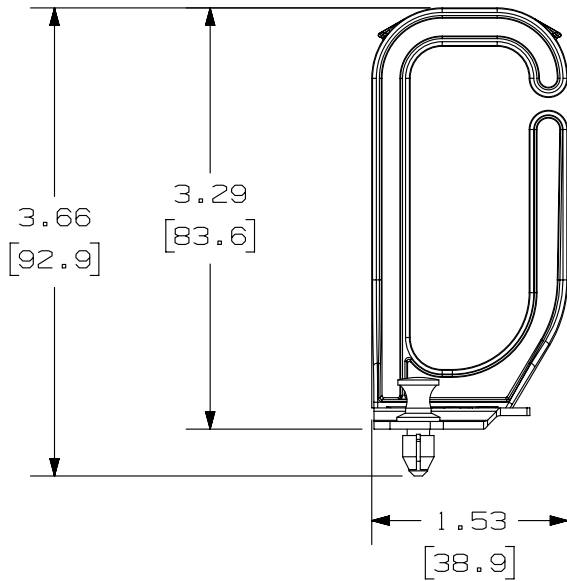
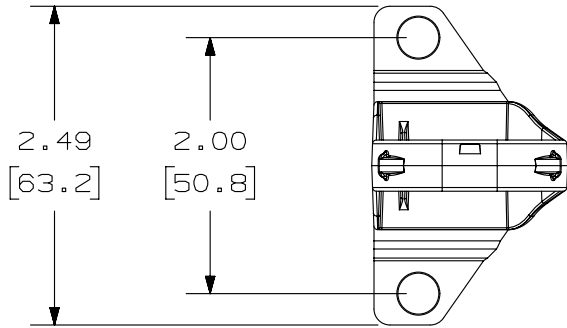


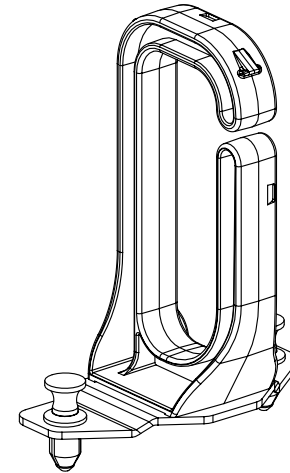
THIS COPY IS PROVIDED ON A RESTRICTED BASIS AND IS NOT TO BE USED IN ANY WAY DETRIMENTAL TO THE INTERESTS OF PANDUIT CORP.

PANDUIT P/N	WEIGHT
MSCMR	0.06 LB/EACH PC (26.7 g/EACH PC)



NOTES:

- SEE CURRENT CATALOG FOR ADDITIONAL PART NUMBER SUFFIXES TO INDICATE COLOR AND OR PACKAGE QUANTITY.
- SEE CATALOG FOR COMPLETE LIST OF PARTS APPLICABLE FOR USE WITH THIS PART.
- DIMENSIONS IN [] ARE IN METRIC.
- PART INCLUDES:
1- CABLE MANAGEMENT RING



PART NUMBER		MSCMR	
TITLE			
MEDIA DISTRIBUTION CABLE MANAGEMENT RING			
CUSTOMER DRAWING			
ITEM REVISION NAME		M03105AA/00	
DATASET FILE NAME		M03105AA_DC03/00B	
UNLESS OTHERWISE SPECIFIED, DIMENSIONAL TOLERANCES ARE: IN [mm]		MATERIAL:	
.x ± .xx ± .03 [.8]		BRACKET- 16 GAGE C.R.S. RING- POLYCARBONATE	
.xxx ± .010 [.3]		DRAWING NUMBER:	
ANGLES ±		03105-03	
THIRD ANGLE PROJECTION		SHT 1 OF 1	
DRAWN BY	DATE	CHK	SCALE
REFR	09-02-08	TCK	NONE
REV	DATE	BY	CHK
1	05-08-14	MDJR	REFR
R	09-02-08	REFR	TCK
APR	DESCRIPTION	ECN	SIZE
	A. UPDATED TITLE BLOCK.	03105-03	A
	RELEASED TO PRODUCTION	03105-03	

REV	DATE	BY	CHK	APR	DESCRIPTION	ECN
1	05-08-14	MDJR	REFR	MMR	A. UPDATED TITLE BLOCK.	03105-03
R	09-02-08	REFR	TCK	TCK	RELEASED TO PRODUCTION	03105-03

D10100DA/14

2

1

2

1