

NOTES:

1. MATERIALS & FINISHES:

BODY - BRASS, GOLD PLATED (.000030 MIN.)
 CONTACT - BRASS, GOLD PLATED (.000030 MIN.)
 INSULATOR - LCP, NATURAL

2. ELECTRICAL:

A. FREQUENCY RANGE = DC TO 40 GHz
 B. CONNECTOR ONLY VSWR: 1.15:1 MAX AT DC TO 10 GHz
 1.25:1 MAX AT 10-26.5 GHz
 1.35:1 MAX AT 26.5-40 GHz
 RESULTS WILL VARY BASED ON BOARD CONFIGURATION

C. D.W.V. = 500 VRMS MIN.
 D. INSULATION RESISTANCE = 1,000 MEGOHMS MIN.

3. MECHANICAL:

A. TEMPERATURE RANGE = -65°C TO +165°C
 B. DURABILITY = 100 MATING CYCLES MIN.

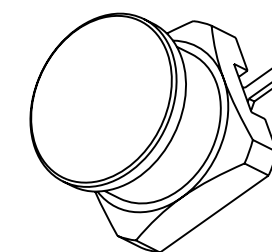
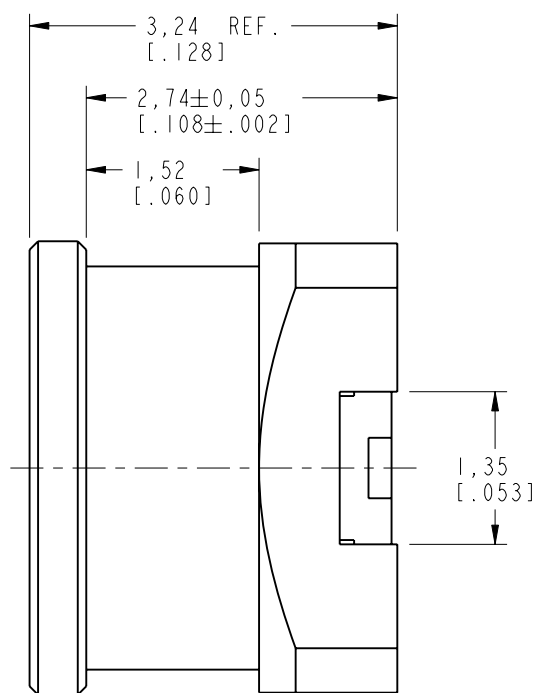
4. PACKAGING:

A. QUANTITY: 50 PCS/TRAY
 B. MARKING: TRAY TO BE MARKED:
 "AMPHENOL RF, 925-143J-51P, AND DATE CODE"

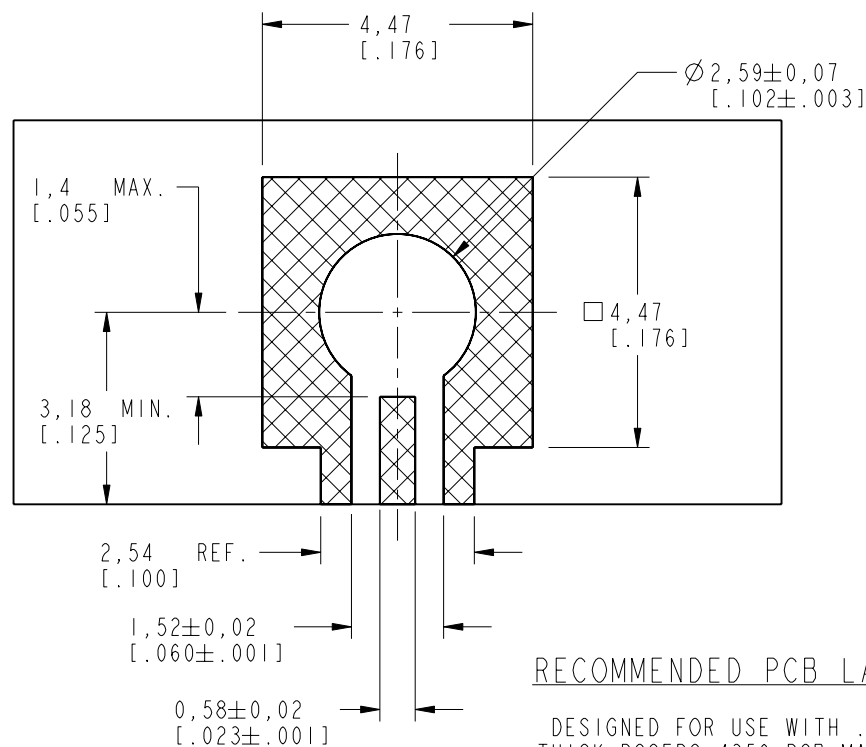
THIRD ANGLE PROJ.

REVISIONS

REV	DESCRIPTION	DATE	ECO	APPR
A	RELEASE TO MFG.	05-Jan-17	02703	MZ

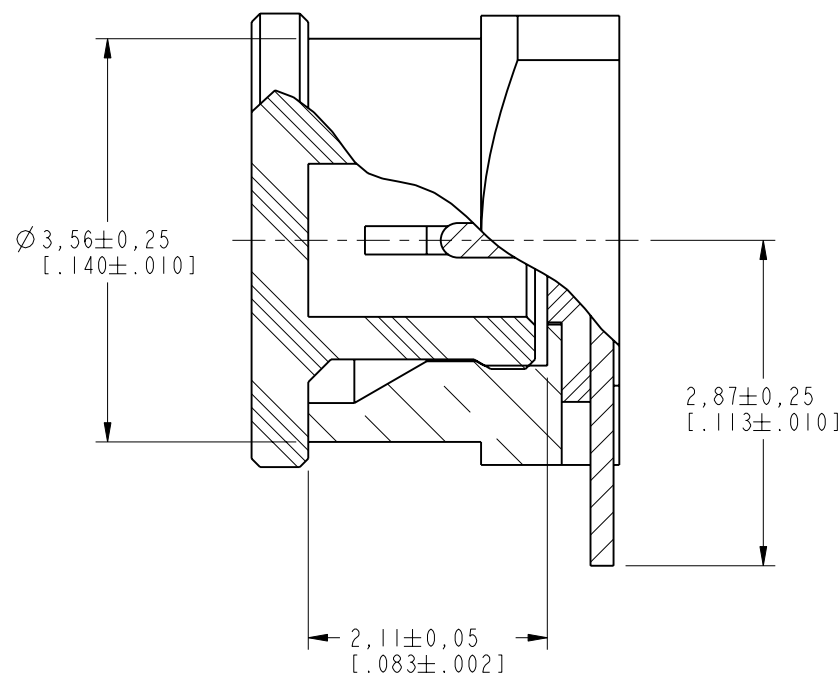


SCALE 6.000

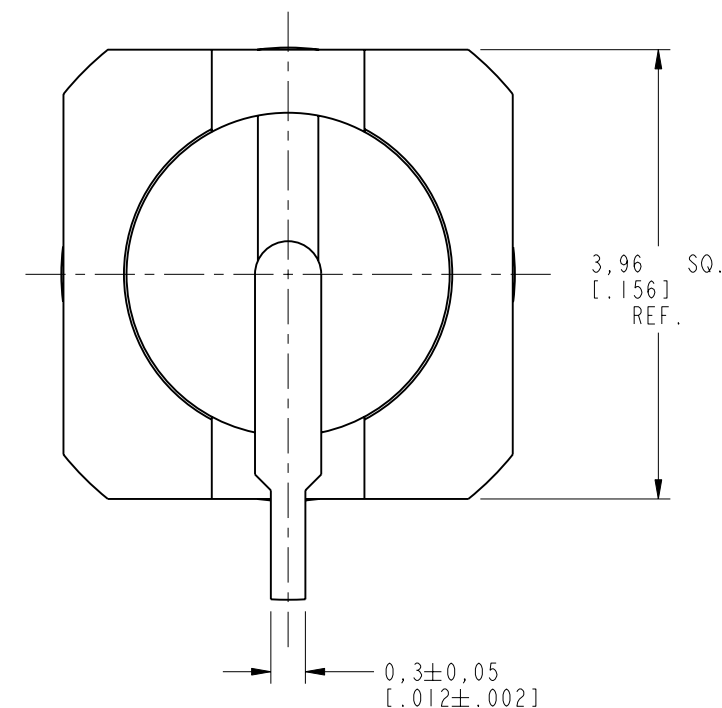


RECOMMENDED PCB LAYOUT

DESIGNED FOR USE WITH .0100" THICK ROGERS 4350 PCB MATERIAL
 THESE DIMENSIONS MAY VARY DEPENDING ON PCB MATERIAL USED



SECTION A-A



CUSTOMER OUTLINE DRAWING

ALL OTHER SHEETS ARE FOR INTERNAL USE ONLY

UNLESS OTHERWISE SPECIFIED, DIMENSIONS ARE IN METRIC AND TOLERANCES ARE:
 <0.5mm ±0.05mm 0.5 - 6mm ±0.1mm 6 - 30mm ±0.2mm 30 - 120mm ±0.3mm ANGLES ±1°

NOTICE - These drawings, specifications, or other data (1) are, and remain the property of Amphenol corp. (2) must be returned upon request; and (3) are confidential and not to be disclosed to any person other than those to whom they are given by Amphenol Corp. the furnishing of these drawings, specifications, or other data by Amphenol Corp., or to any other person to anyone for any purpose is not to be regarded by implication or otherwise in any manner licensing, granting rights to permitting such holder or any other person to manufacture, use or sell any product, process or design, patented or otherwise, that may in any way be related to or disclosed by said drawings, specifications, or other data.

MATERIAL	DRAWN M. ZHANG	DATE 05-Jan-17
REFERENCE SAME AS 925-131J-51S BUT WITH TRAY PACK EAR #5317 AND GEN# ASSYM3_SMPM CONFIGURATION LEVEL: In Work	ENGINEER E WANKOFF	DATE 20-Feb-13
FINISH	APPROVED S. HSIEH	DATE 06-Jan-17

TITLE SMPM MALE, SURFACE MOUNT, FULL DETENT
SCALE: 15.0:1.0 SHEET 2 OF 2
DWG SIZE B
REV A

Amphenol RF	
www.amphenolrf.com	
DRAWING NO. 925-143J-51P	
ITEM NO. 925-143J-51P	
PART NO. 925-143J-51P	