

DESCRIPTION	APPROVED BY/DATE	REV
	C. Westby 11-20-91	1
ECO-09-026495	AEG 11DEC09	B1

SAFETY ORGANIZATION(S)

THIS FILTER HAS BEEN FORMALLY RECOGNIZED, CERTIFIED OR APPROVED BY THE LISTED AGENCY. THEREFORE, ALL TEST/REQUIREMENTS SPECIFIED IN THE LATEST REVISION OF THE FOLLOWING AGENCY STANDARDS HAVE BEEN MET:

UL RECOGNIZED
CSA CERTIFIED
VDE APPROVED

UL 544
CSA 22.2, NO.0,0.4,8
VDE 0565-3, 0625

OPERATING SPECIFICATIONS:

LINE VOLTAGE/CURRENT, 6 AMP., 120/250 VAC
6 AMP./40°C, 250 VAC
LINE FREQUENCY, 50-60Hz
MAX. CASE RISE @ RATED CURRENT, 30°C
MAX. LEAKAGE CURRENT, EACH 2µA at 120V 60 Hz
LINE TO GROUND 5µA at 250V 50 Hz
OPERATING AMBIENT TEMP. RANGE, -10°C TO +40°C @ RATED CURRENT, I_r

IN AN AMBIENT, T_a, HIGHER THAN 40°C, THE MAXIMUM OPERATING CURRENT, I_o, IS AS FOLLOWS:

$$I_o = I_r \sqrt{\frac{85 - T_a}{45}}$$

RELIABILITY SPECIFICATIONS:

STORAGE TEMPERATURE: -40°C TO +85°C
HUMIDITY: 21 DAYS @ 40°C 95% RH
CURRENT OVERLOAD TEST: 6 TIMES RATED CURRENT FOR 8 SECONDS

TEST SPECIFICATIONS:

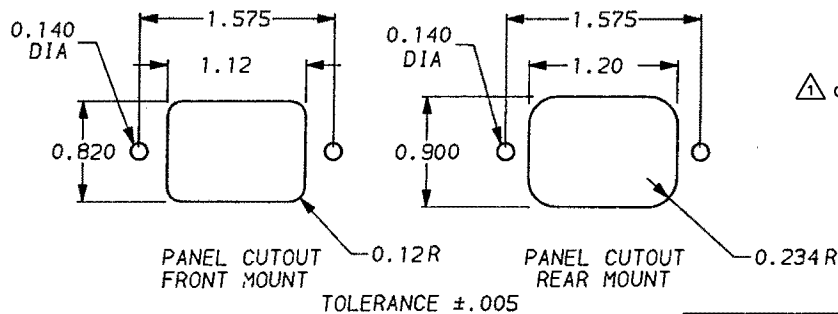
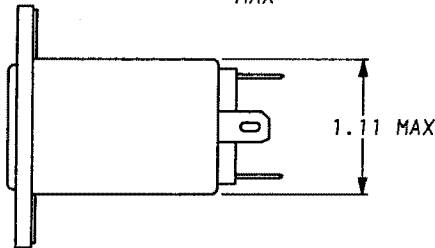
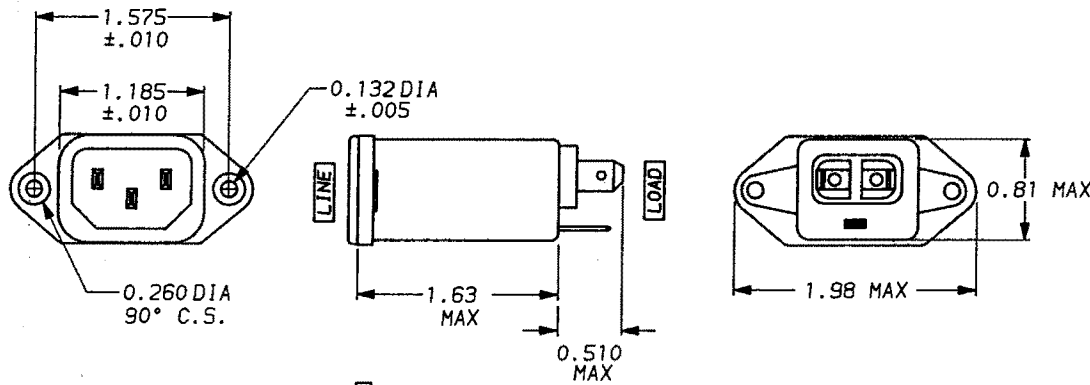
INDUCTANCE: .465 mH NOMINAL
CAPACITANCE: (MEASURED @ 1 KHz, 0.25 VAC MAX., 25°C ±1°C)
LINE TO GROUND: ZERO
LINE TO LINE: .047µF ±20%
DISCHARGE RESISTOR: 1.5 MΩ
LINE/GROUND AND LINE/LINE: 6000 MΩ (MIN) AT 100 VDC
INSULATION RESISTANCE (W/O DISCHARGE RESISTOR) 20°C AND 50% RH

RECOMMENDED RECEIVING INSPECTION HIPOT:

LINES TO GROUND: 1500 VAC FOR 1 MINUTE
LINE TO LINE: 1450 VDC FOR 1 MINUTE

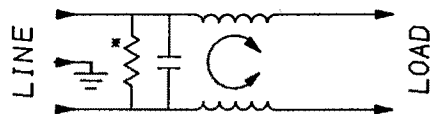
FILTER APPROVAL:

THE BEST WAY TO SELECT AND QUALIFY A FILTER IS FOR YOUR ENGINEERING TO TEST THE UNIT IN YOUR EQUIPMENT.



⚠ OBSOLETE PARTS: OBSOLETE CIS STREAMLINING PER D.RENAUD/D.SINISI

⚠ OBSOLETE 6609003-3
4609003-3



FREQUENCY MHz	50n - 50p (MINIMUM) INSERTION LOSS									
	.10	.15	.50	1	5	10	30			
COMMON dB	5	8	17	20	24	23	18			
DIFF. dB	-	1	10	18	30	31	31			

TOLERANCE EXCEPT AS NOTED
DECIMAL: .XXX .XX .X ANGLES ± 1°
ENGLISH: ±.025
METRIC: ±



POWER LINE FILTER

This document is proprietary to CORCOM INC. and is not to be reproduced nor used for manufacturing purposes except on CORCOM's order or prior written consent.

FINISH: AS SUPPLIED

SCALE	DATE	DRG. NO.	REV.
NTS	9-19-91	6EBH1	B1
DRW. BY	ORIGINATOR		
CFW	CFW		

*RESISTOR ADDED TO PRODUCT BUILT AFTER 3-30-92 (9212).