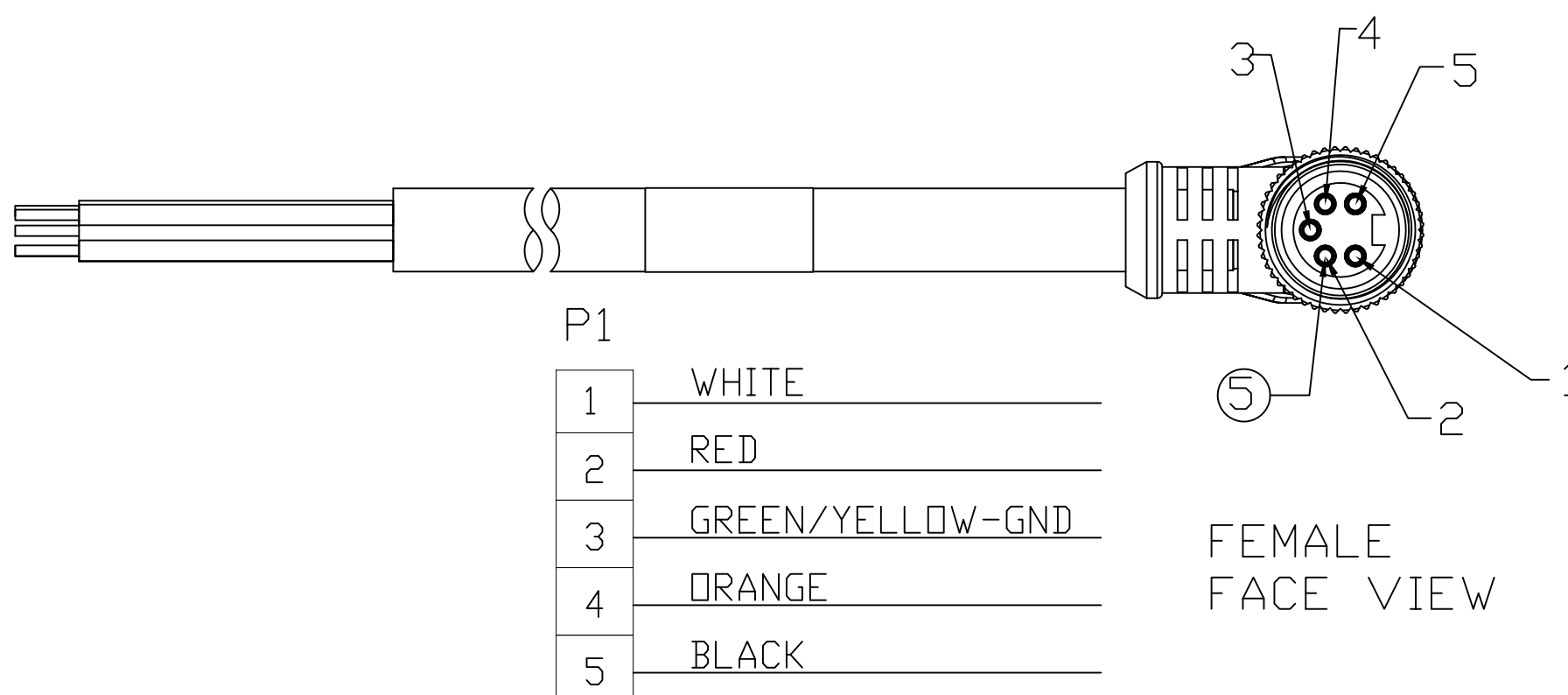
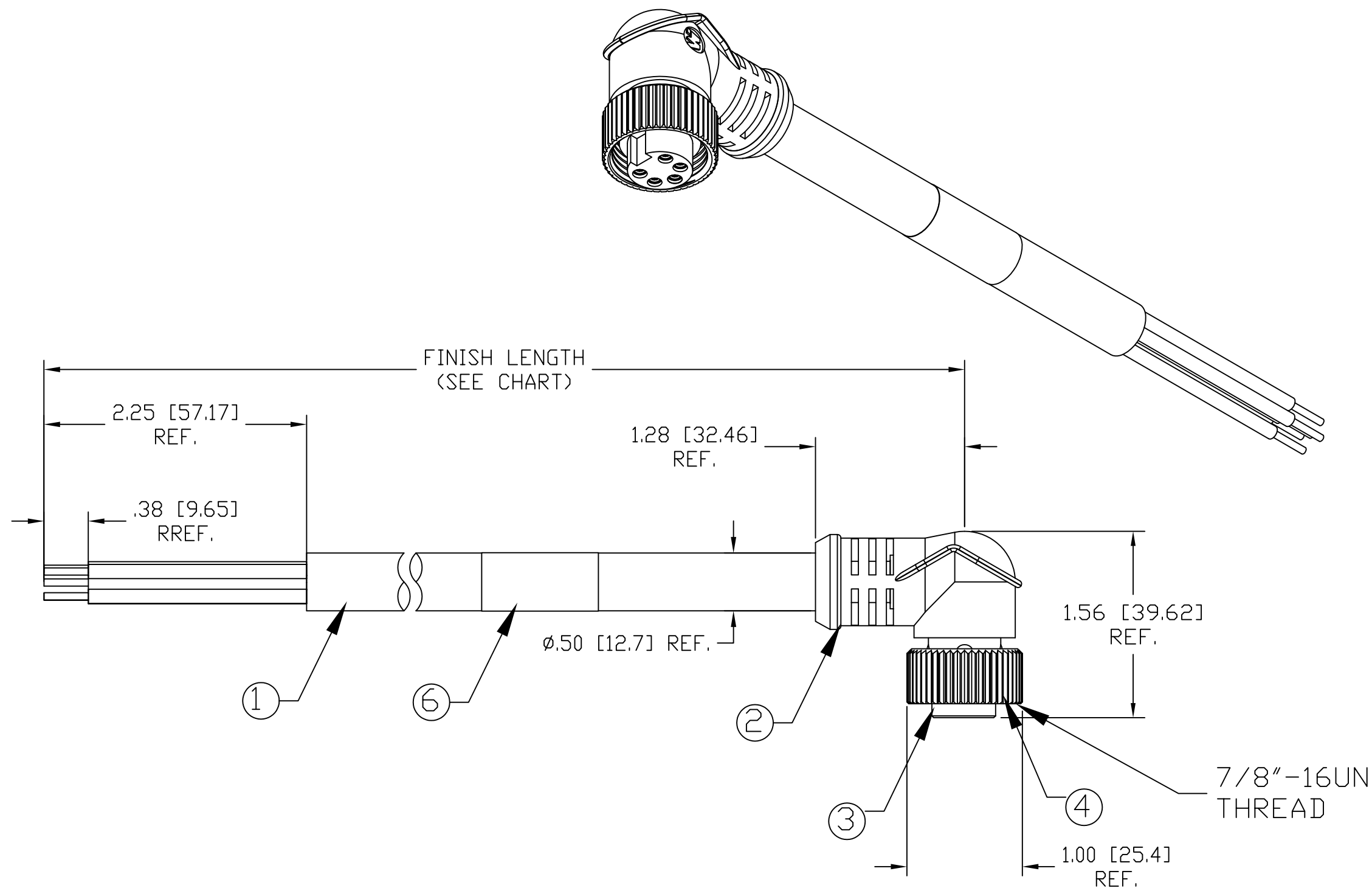


13	12	11	10	9	8	7	6	5	4	3	2	1
PART NUMBER	ENGINEERING NUMBER	FINISH LENGTH										
1300061346	105001A01F030	3.00' +1.75" -0 [.9M +44.5 -0]										
1300061349	105001A01F060	6.00' +2.19" -0 [1.8M +55.6 -0]										
1300061353	105001A01F120	12.00' +3.50" -0 [3.7M +88.9 -0]										
1300061356	105001A01F150	15.00' +6.50" -0 [4.6M +165.1 -0]										
1300061360	105001A01F200	20.00' +6.50" -0 [6.1M +165.1 -0]										
1300061364	105001A01F250	25.00' +12.50" -0 [7.6M +317.5 -0]										
1300061367	105001A01F300	30.00' +12.50" -0 [9.1M +317.5 -0]										

NOTE

- 1) MATERIAL: SEE TABLE
- 2) FINISHES: SEE TABLE
- 3) WRAP LABEL IS MARKED WITH P/N, DATE CODE, VOLTAGE & AMPERAGE
- 4) MATES WITH: MINI CHANGE, 5 POLE RECEPTACLE
- 5) ELECTRICAL DATA:
 INLINE CORDSET
 FEMALE A-SIZE WITH FLYING LEADS
 16AWG UNSHIELDED
 POLES: 5
 MAX. VOLTAGE: 600V
 MAX. CURRENT 8A
 PROTECTION IP67
 TEMPERATURE RANGE: -20°C TO 105°C
- 6) PACKAGING:
 CABLE ASSEMBLIES ARE BAGGED SEPERATELY
 IN POLY BAGS WITH BAR CODE LABEL ATTACHED
 TO OUTSIDE OF BAG.
- 7) ASSEMBLY IS RoHS COMPLIANT.
- 8) CERTIFICATION
 UL RECOGNIZED, FILE NO. E152210
 CSA CERTIFIED, FILE NO. LR6837

ITEM	QTY.	DESCRIPTION	MATERIAL	FINISH
6	1	LABEL	PLASTIC FILM	BLACK/YELLOW
5	5	CONTACT SOCKET	COPPER ALLOY	GOLD PLATED
4	1	INSERT	PVC	YELLOW
3	1	COUPLING NUT	ZINC DIE CAST	BLACK E-COATED
2	1	OVERMOLD	PVC	YELLOW
1	1	CABLE, 16AWG-5 TYPE STOOD	PVC	YELLOW



WIRING DIAGRAM

RELEASE EC NO: WNA2010-0397 DRWN: BWOODMAN 12/22/09 CH'KD: --- APPR: JFMURPHY 2010/01/05	DESCRIPTION REV	QUALITY SYMBOL	GENERAL TOLERANCES (UNLESS SPECIFIED)	DIMENSION STYLE	SCALE	DESIGN UNITS	THIRD ANGLE PROJECTION	
		$\nabla=0$ $\sphericalangle=0$	(UNLESS SPECIFIED) mm INCH 4 PLACES ±--- ±--- 3 PLACES ±.005 ±.005 2 PLACES ±.013 ±.010 1 PLACE ±.025 ±.020	IN/MM	1:1	INCH		
			ANGULAR ±1/2°	DRAWN BY DATE	TITLE	MINI CHANGE ASSEMBLY 5-POLE FEMALE 90D 16/5AWG PVC		
			DRAFT WHERE APPLICABLE MUST REMAIN WITHIN DIMENSIONS	TWOLDEGE 2009/07/29 CHECKED BY DATE BWOODMAN 2009/07/29 APPROVED BY DATE JFMURPHY 2010/01/05	MOLEX INCORPORATED MOLEX			
			SEE CHART	MATERIAL NO.	DOCUMENT NO.	SHEET NO.		
				SIZE C	THIS DRAWING CONTAINS INFORMATION THAT IS PROPRIETARY TO MOLEX INCORPORATED AND SHOULD NOT BE USED WITHOUT WRITTEN PERMISSION			