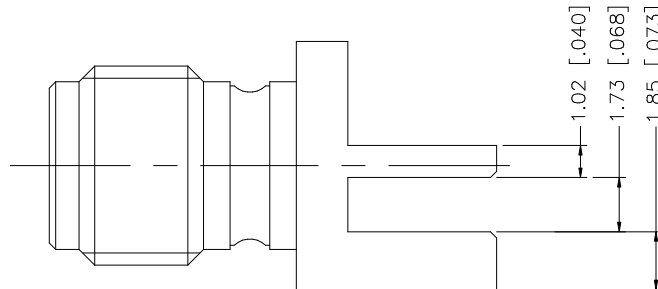
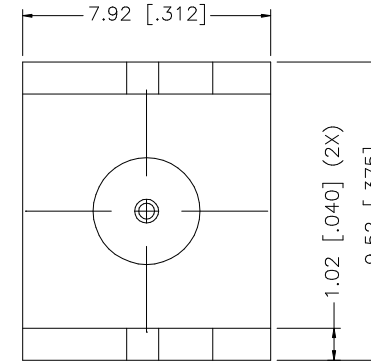
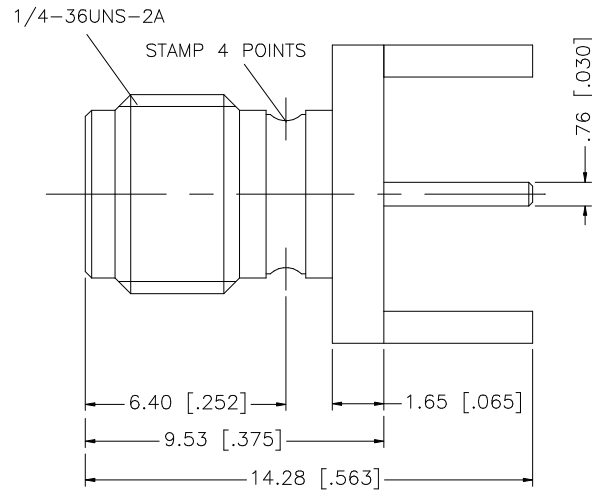


REV.	DATE	DESCRIPTION
NC	04/22/00	INITIAL RELEASE
A	01/11/07	UPDATE DRAWING FORMAT



8					<small>UNLESS OTHERWISE SPECIFIED DIMENSIONS ARE IN MILLIMETERS. DIMENSIONS IN [] ARE IN INCHES AND FOR CUSTOMER REFERENCE ONLY.</small> <small>UNLESS OTHERWISE SPECIFIED TOLERANCES FOR MILLIMETERS ARE:</small> 0.5 - 8mm ± 0.20mm 8 - 30mm ± 0.40mm 30 - 120mm ± 0.50mm <small>UNLESS OTHERWISE SPECIFIED TOLERANCES FOR INCHES ARE:</small> .020 - .315 ± 0.007" .315 - 1.180 ± 0.015" 1.180 - 4.724 ± 0.020"	APPROVALS	DATE	<h1 style="color: blue;">Amphenol Connex</h1>	
7				DRAWN		G.R.S.	01/11/07		PART DESCRIPTION SMA END LAUNCH RECEPTACLE REVERSE POLARIZED
6				CHECKED					
5				ISSUED					
4					SHEET	1 OF 1		PART NO. 132255RP	
3	CONTACT PIN	BER. COPPER	GOLD	1	CAD FILE	C:/132/1132255RP.DWG			DWG. NO. 132255RP.DWG REV. A SIZE A SCALE NA
2	INSULATOR	TEFLON	NATURAL	1					
1	BODY	BRASS	GOLD	1					
	DESCRIPTION	MATERIAL	FINISH	QTY	DO NOT SCALE DRAWING				