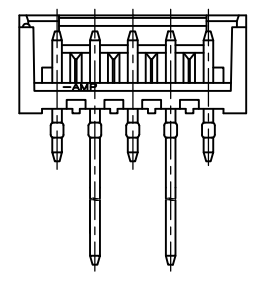


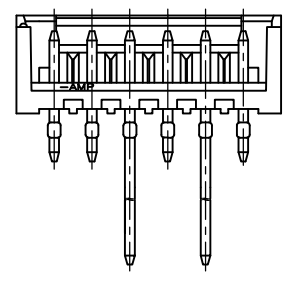
THIS DRAWING IS UNPUBLISHED. RELEASED FOR PUBLICATION
 © COPYRIGHT By - ALL RIGHTS RESERVED.

LOC J DIST

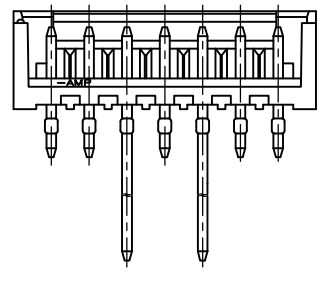
REVISIONS		DATE	DWN	APVD
変更	DESCRIPTION			
P	LTR			
SEE SHEET 1				



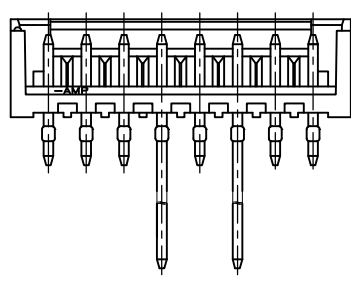
5極
5 Pos.



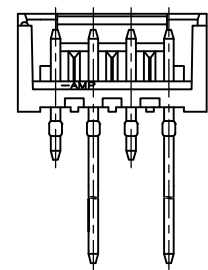
6極
6 Pos.



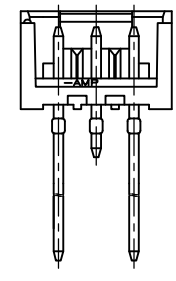
7極
7 Pos.



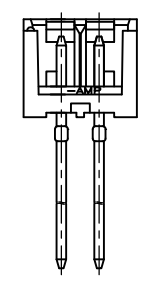
8極
8 Pos.



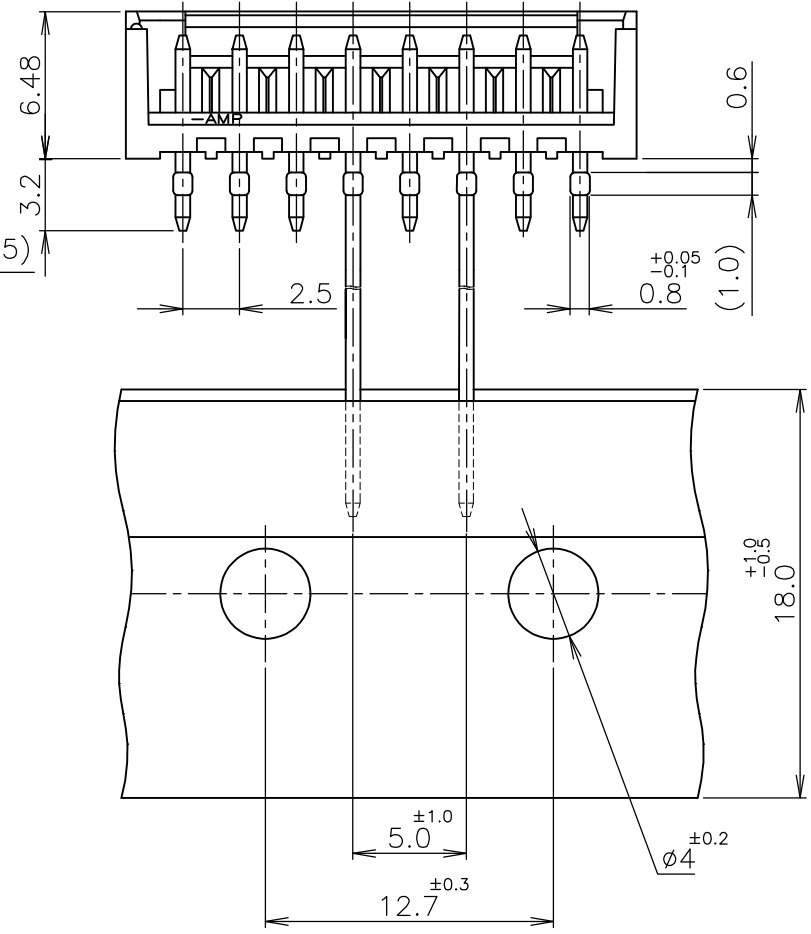
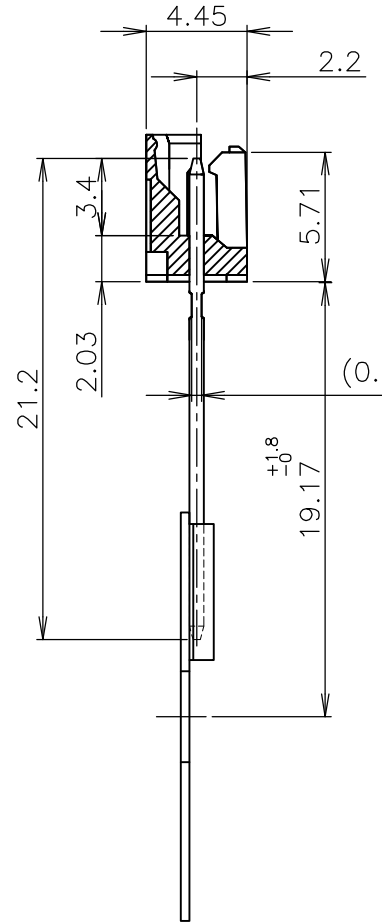
4極
4 Pos.



3極
3 Pos.



2極
2 Pos.



INSERT PIN
 インサートピン位置
 (SCALE 2-1)

- OBSOLETE
- OBSOLETE
- OBSOLETE
- OBSOLETE

色	テーパーピン仕様 TAPING TYPE	数量個 QTY	コネクタ型番 L/P CONN	テーパーピン型番 ON TAPING P/N	
青 BLUE	↑	8	↑	↑	
	↑	7	↑	↑	
	↑	6	↑	↑	
	↑	5	↑	↑	
	□	750	4	↑	↑
	┆	1500	3	↑	↑
黒 BLACK	↑	8	↑	↑	
	↑	7	↑	↑	
	↑	6	↑	↑	
	↑	5	↑	↑	
	□	750	4	↑	↑
	┆	1500	3	↑	↑
赤 RED	↑	8	↑	↑	
	↑	7	↑	↑	
	↑	6	↑	↑	
	↑	5	↑	↑	
	□	750	4	↑	↑
	┆	1500	3	↑	↑
黄 YELLOW	↑	8	↑	↑	
	↑	7	↑	↑	
	↑	6	↑	↑	
	↑	5	↑	↑	
	□	750	4	↑	↑
	┆	1500	3	↑	↑
自然色 NATURAL	↑	8	↑	↑	
	↑	7	↑	↑	
	↑	6	↑	↑	
	↑	5	↑	↑	
	□	750	4	↑	↑
	┆	1500	3	↑	↑
┆	1500	2	8-177537-2	4-177538-2	
┆	1500	2	6-177537-2	3-177538-2	
┆	1500	2	4-177537-2	2-177538-2	
┆	1500	2	2-177537-2	1-177538-2	
┆	1500	2	177537-2	177538-2	

THIS DRAWING IS A CONTROLLED DOCUMENT.		DWN	STE TE Connectivity	
DIMENSIONS: 単位: 耗 MM		CHK		
TOLERANCES UNLESS OTHERWISE SPECIFIED: 一般公差		APVD	NAME 名称	
0-PLC ± 1-PLC ± 2-PLC ± 3-PLC ± 4-PLC ± ANGLES ±		PRODUCT SPEC 製品規格	ON TAPING(RADIAL) 2.5mm PITCH METRIC INTERCONNECT SYSTEM	
MATERIAL 材料		FINISH 仕上	APPLICATION SPEC 取付適用規格	RESTRICTED TO
WEIGHT		CUSTOMER DRAWING	SIZE A3	CAGE CODE 00779
SCALE 尺度 NTS		SHEET 2 OF 2	DRAWING NO. C-177538	REV F1