







# NH Dual Indicator Fuse System Product Guide


## Class gG/gL - 400Vac - 2 to 630 Amps - Sizes 000 to 3

### Part Numbers

400Vac	Size	Rated Current (Amps)	gG/gL Dual Indicator		Pack Quantity
			Voltage Conducting Metal Gripping Lugs	Voltage-Free Metal Gripping Lugs	
	000	2	2NHG000B-400	2NHG000BI-400	3
		4	4NHG000B-400	4NHG000BI-400	3
		6	6NHG000B-400	6NHG000BI-400	3
		10	10NHG000B-400	10NHG000BI-400	3
		16	16NHG000B-400	16NHG000BI-400	3
		20	20NHG000B-400	20NHG000BI-400	3
		25	25NHG000B-400	25NHG000BI-400	3
		32	32NHG000B-400	32NHG000BI-400	3
		35	35NHG000B-400	35NHG000BI-400	3
		40	40NHG000B-400	40NHG000BI-400	3
		50	50NHG000B-400	50NHG000BI-400	3
		63	63NHG000B-400	63NHG000BI-400	3
		80	80NHG000B-400	80NHG000BI-400	3
		100	100NHG000B-400	100NHG000BI-400	3
			00	125	125NHG00B-400
160	160NHG00B-400			160NHG00BI-400	3
	01	35	35NHG01B-400	35NHG01BI-400	3
		40	40NHG01B-400	40NHG01BI-400	3
		50	50NHG01B-400	50NHG01BI-400	3
		63	63NHG01B-400	63NHG01BI-400	3
		80	80NHG01B-400	80NHG01BI-400	3
		100	100NHG01B-400	100NHG01BI-400	3
		125	125NHG01B-400	125NHG01BI-400	3
1	1	200	200NHG1B-400	200NHG1BI-400	3
		224	224NHG1B-400	224NHG1BI-400	3
		250	250NHG1B-400	250NHG1BI-400	3
	02	35	35NHG02B-400	35NHG02BI-400	3
		40	40NHG02B-400	40NHG02BI-400	3
		50	50NHG02B-400	50NHG02BI-400	3
		63	63NHG02B-400	63NHG02BI-400	3
		80	80NHG02B-400	80NHG02BI-400	3
		100	100NHG02B-400	100NHG02BI-400	3
		125	125NHG02B-400	125NHG02BI-400	3
		160	160NHG02B-400	160NHG02BI-400	3
		200	200NHG02B-400	200NHG02BI-400	3
		224	224NHG02B-400	224NHG02BI-400	3
2	2	250	250NHG02B-400	250NHG02BI-400	3
		315	315NHG2B-400	315NHG2BI-400	3
		355	355NHG2B-400	355NHG2BI-400	3
3	03	400	400NHG2B-400	400NHG2BI-400	3
		250	250NHG03B-400	250NHG03BI-400	3
		315	315NHG03B-400	315NHG03BI-400	3
		355	355NHG03B-400	355NHG03BI-400	3
3	3	400	400NHG03B-400	400NHG03BI-400	3
		500	500NHG3B-400	500NHG3BI-400	3
		630	630NHG3B-400	630NH3GBI-400	3




# Class gG/gL - 500Vac - 2 to 1250 Amps - Sizes 000 to 4

## Part Numbers

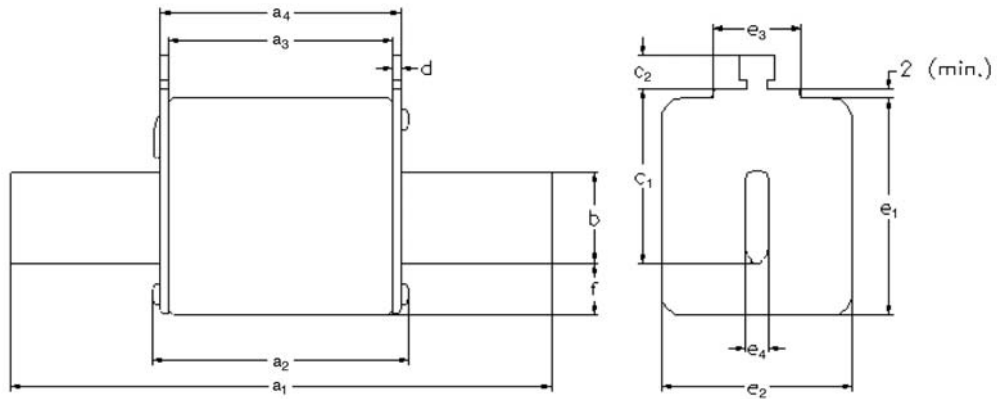
500Vac / 250Vdc	Size	Rated Current (Amps)	gG/gL Dual Indicator		Pack Quantity
			Voltage Conducting Metal Gripping Lugs	Voltage-Free Metal Gripping Lugs	
	000	2	2NHG00B	2NHG00BI	3
		4	4NHG00B	4NHG00BI	3
		6	6NHG00B	6NHG00BI	3
		10	10NHG00B	10NHG00BI	3
		16	16NHG00B	16NHG00BI	3
		20	20NHG00B	20NHG00BI	3
		25	25NHG00B	25NHG00BI	3
		32	32NHG00B	32NHG00BI	3
		35	35NHG00B	35NHG00BI	3
		40	40NHG00B	40NHG00BI	3
		50	50NHG00B	50NHG00BI	3
		63	63NHG00B	63NHG00BI	3
		80	80NHG00B	80NHG00BI	3
		100	100NHG00B	100NHG00BI	3
		00	125	125NHG00B	125NHG00BI
160	160NHG00B		160NHG00BI	3	
0	10	10NHG0B	-	3	
	16	16NHG0B	-	3	
	20	20NHG0B	-	3	
	25	25NHG0B	-	3	
	32	32NHG0B	-	3	
	35	35NHG0B	-	3	
	40	40NHG0B	-	3	
	50	50NHG0B	-	3	
	63	63NHG0B	-	3	
	80	80NHG0B	-	3	
	100	100NHG0B	-	3	
01	125	125NHG0B	-	3	
	160	160NHG0B	-	3	
	10	10NHG01B	10NHG01BI	3	
	16	16NHG01B	16NHG01BI	3	
	20	20NHG01B	20NHG01BI	3	
	25	25NHG01B	25NHG01BI	3	
	32	32NHG01B	32NHG01BI	3	
	35	35NHG01B	35NHG01BI	3	
	40	40NHG01B	40NHG01BI	3	
	50	50NHG01B	50NHG01BI	3	
	63	63NHG01B	63NHG01BI	3	
1	80	80NHG01B	80NHG01BI	3	
	100	100NHG01B	100NHG01BI	3	
	125	125NHG01B	125NHG01BI	3	
	160	160NHG01B	160NHG01BI	3	
	200	200NHG1B	200NHG1BI	3	
	224	224NHG1B	224NHG1BI	3	
	250	250NHG1B	250NHG1BI	3	
02	35	35NHG02B	35NHG02BI	3	
	40	40NHG02B	40NHG02BI	3	
	50	50NHG02B	50NHG02BI	3	
	63	63NHG02B	63NHG02BI	3	
	80	80NHG02B	80NHG02BI	3	
	100	100NHG02B	100NHG02BI	3	
	125	125NHG02B	125NHG02BI	3	
	160	160NHG02B	160NHG02BI	3	
	200	200NHG02B	200NHG02BI	3	
	224	224NHG02B	224NHG02BI	3	
2	250	250NHG02B	250NHG02BI	3	
	315	315NHG2B	315NHG2BI	3	
	355	355NHG2B	355NHG2BI	3	
03	400	400NHG2B	400NHG2BI	3	
	250	250NHG03B	250NHG03BI	3	
	315	315NHG03B	315NHG03BI	3	
3	355	355NHG03B	355NHG03BI	3	
	400	400NHG03B	400NHG03BI	3	
	500	500NHG3B	500NHG3BI	3	
4	630	630NHG3B	-	3	
	500	500NHG4G	-	1	
	630	630NHG4G	-	1	
	800	800NHG4G	-	1	
	1000	1000NHG4G	-	1	
Single Indicator Slotted End Tags	1250	1250NHG4G	-	1	

# Class gG/gL - 690Vac - 2 to 500 Amps - Sizes 000 to 3

## Part Numbers

690Vac / 250Vdc	Size	Rated Current (Amps)	gG/gL Dual Indicator		Pack Quantity
			Voltage Conducting Metal Gripping Lugs	Voltage-Free Metal Gripping Lugs	
    	000	2	2NHG000B-690	2NHG000BI-690	3
		4	4NHG000B-690	4NHG000BI-690	3
		6	6NHG000B-690	6NHG000BI-690	3
		10	10NHG000B-690	10NHG000BI-690	3
		16	16NHG000B-690	16NHG000BI-690	3
		20	20NHG000B-690	20NHG000BI-690	3
		25	25NHG000B-690	25NHG000BI-690	3
		32	32NHG000B-690	32NHG000BI-690	3
		35	35NHG000B-690	35NHG000BI-690	3
	00	40	40NHG000B-690	40NHG000BI-690	3
		50	50NHG00B-690	50NHG00BI-690	3
		63	63NHG00B-690	63NHG00BI-690	3
		80	80NHG00B-690	80NHG00BI-690	3
	0	100	100NHG00B-690	100NHG00BI-690	3
		6	6NHG0B-690	-	3
		10	10NHG0B-690	-	3
		16	16NHG0B-690	-	3
		20	20NHG0B-690	-	3
		25	25NHG0B-690	-	3
		32	32NHG0B-690	-	3
		35	35NHG0B-690	-	3
		40	40NHG0B-690	-	3
		50	50NHG0B-690	-	3
		63	63NHG0B-690	-	3
		80	80NHG0B-690	-	3
	1	100	100NHG0B-690	-	3
		50	50NHG1B-690	50NHG1BI-690	3
		63	63NHG1B-690	63NHG1BI-690	3
		80	80NHG1B-690	80NHG1BI-690	3
		125	125NHG1B-690	125NHG1BI-690	3
		160	160NHG1B-690	160NHG1BI-690	3
		200	200NHG1B-690	200NHG1BI-690	3
	2	63	63NHG2B-690	63NHG2BI-690	3
		80	80NHG2B-690	80NHG2BI-690	3
		100	100NHG2B-690	100NHG2BI-690	3
		125	125NHG2B-690	125NHG2BI-690	3
160		160NHG2B-690	160NHG2BI-690	3	
200		200NHG2B-690	200NHG2BI-690	3	
224		224NHG2B-690	224NHG2BI-690	3	
250		250NHG2B-690	250NHG2BI-690	3	
315		315NHG2B-690	315NHG2BI-690	3	
3	250	250NHG3B-690	250NHG3BI-690	3	
	315	315NHG3B-690	315NHG3BI-690	3	
	355	355NHG3B-690	355NHG3BI-690	3	
	400	400NHG3B-690	400NHG3BI-690	3	
	425	425NHG3B-690	-	3	
	500	500NHG3B-690	-	3	

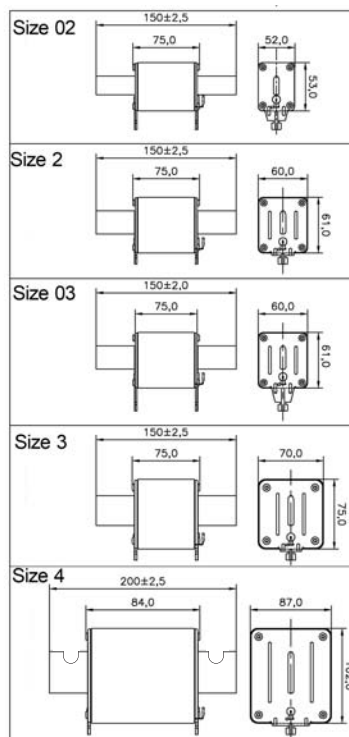
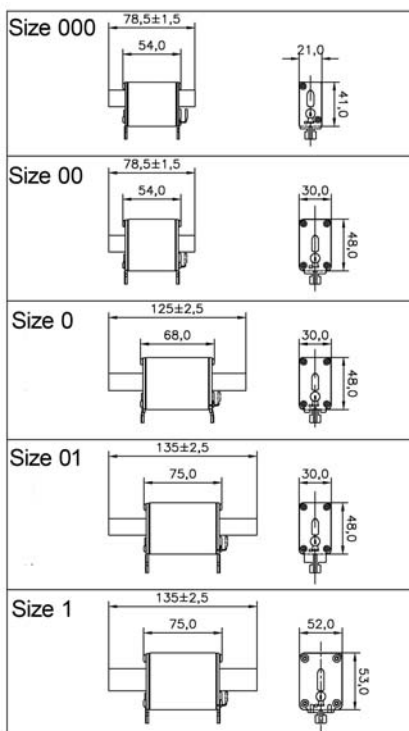
# NH Fuse Link Dimensions - mm



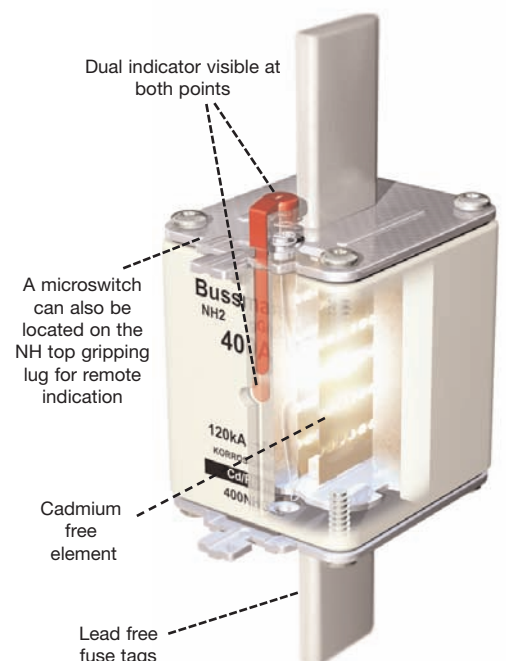
Size	a <sub>1</sub>	a <sub>2</sub> (max)	a <sub>3</sub>	a <sub>4</sub>	b	c <sub>1</sub>	c <sub>2</sub>	d	e <sub>1</sub> (max)	e <sub>2</sub> (max)	e <sub>3</sub> (max)	e <sub>4</sub>	f (max)
000	78.5±1.5	54	45±1.5	49±1.5	15	35	10	2±0.5	41	21	16	6	8
00	78.5±1.5	54	45±1.5	49±1.5	15	35	11	2±0.5	48	30	25	6	15
0	125±2.5	68	62 <sup>+3/-1.5</sup>	68 <sup>+1.5/-3</sup>	15	35	11	2.5±0.5	48	30	25	6	15
01	135±2.5	75	62±2.5	68±2.5	15	40	11	2.5±0.5	48	30	25	6	15
1	135±2.5	75	62±2.5	68±2.5	20	40	11	2.5±0.5	53	52	25	6	15
02	150±2.5	75	62±2.5	68±2.5	20	48	11	2.5±0.5	53	52	25	6	15
2	150±2.5	75	62±2.5	68±2.5	25	48	11	2.5±0.5	61	60	25	6	15
03	150±2.5	75	62±2.5	68±2.5	25	60	11	2.5±0.5	61	60	25	6	15
3	150±2.5	75	62±2.5	68±2.5	32	60	11	3±0.5	75	70	25	6	18
4*	200	84	80	90	50	85	10	3	102	87	-	8	30

\* With slotted end tags, see drawing below.

## Sizing Guide



## Patented Dual Indication Technology





## NH DIN Low Voltage Fuse System from Cooper Bussmann

- 120kA High breaking capacity
- 400Vac, 500Vac and 690Vac
- Rated up to 250Vdc
- Insulated tag variants available
- Patented dual indication
- IEC 60269, DIN 43620, VDE 0636

Product Range					
Operating Class	Voltage	Indicator Type	Gripping Lugs Type	Current Rating	Fuse Size
gG/gL	400V	Dual	Non Insulated	2 - 630A	000 - 3
			Insulated		
	500V	Dual	Non Insulated	2 - 630A	000 - 3
			Insulated	2 - 500A	
		Single	Non Insulated	500 - 1250A	4
			Insulated	500 - 1250A	4
690V	Dual	Non Insulated	2 - 500A	000 - 3	
		Insulated	2 - 400A		
aM	500V	Dual	Non Insulated	50 - 630A	00 - 3
	690V	Dual	Non Insulated	6 - 500A	000 - 3
gTr	400V	Single	Non Insulated	50 - 1000A	2 - 4

Ordering Key	Type Designation				
Current rating	100				
NH fuse link		NH			
Utilisation class			G		
Body size				000	
Cooper Bussmann					B
Insulated metal gripping lugs					I
<b>Complete Part Number</b>	<b>100</b>	<b>NH</b>	<b>G</b>	<b>000</b>	<b>B I</b>

The Cooper Bussmann® NH DIN low voltage fuse links are available at 400Vac, 500Vac and 690Vac, manufactured in accordance with IEC 60269.



### NH Fuse Links with Dual Indication

#### Cd/Pb-free

#### Lead and Cadmium Free

Cooper Bussmann is the world's first true manufacturer of a complete range of Lead and Cadmium free NH fuse links, negating any legislation concerns regarding the amount of hazardous materials permissible within the fuse links.



#### Recycling

Cooper Bussmann is dedicated to producing recyclable products and is a member of an industry recognised recycling scheme. The "HRC" symbol on Cooper Bussmann NH fuse links define the product suitable for recycling, limiting disposal cost.

## Fuse Bases and Accessories



- Available in multiple pole configurations for size 000 to 4 to DIN 43620 and IEC 60269
- Rated current range is 160A to 1250A
- Ceramic fuse bases also available
- Silver-plated contacts with high contact pressure springs
- DIN Rail or screw mounting
- Accessories include separating plates, terminal covers and fuse covers allowing IP20 protection
- Extraction handle available, reference FEH, size 000-3
- Microswitch available, reference BVL50

Size	Poles	Current (Amps)	Part Numbers	Unit Packing	Compatible Fuse Link Size
			DIN Screw		
00	1 3	160A	SB00-D TB00-D TB00-D-IP20	3 1	000 & 00
0	1 3	160A	SB0-D TB0-D	3 1	0
1	1 3	250A	SB1-D TB1-D	3 1	01 & 1
2	1 3	400A	SB2-D TB2-D	3 1	02 & 2
3	1 3	630A	SB3-D TB3-D	3 1	03 & 3
4	1	1250A	SB4-S (Screw Connection only)	3	4

## Vertical Fuse Rails & Fuse Switch Disconnectors



- Available in sizes 000 to 3
- Rated current range up to 630A
- Copper contacts and busbars
- Stainless steel contact springs
- Protection level of IP20

### Vertical Fuse Rails

Size	Rating (Amps)	Part Reference	Leading out Terminals	Compatible Fuse Links Size
00	160	BL00-3-F-HA	M8 cable connections	000 & 00
1	250	BFR1-3K/LM/C (*)	Pressed-in nuts with M10 screw	01 & 1
2	400	BFR2-3K/LM/C (*)	Pressed-in nuts with M10 screw	02 & 2
3	630	BFR3-3K/LM/C (*)	Pressed-in nuts with M10 screw	03 & 3

\* With leading-out terminal cover.

### Fuse Switch Disconnectors

Size	Rating (Amps)	Part Reference		Terminals	Unit Packing	Compatible Fuse Links Size
		1 Pole Switching	3 Poles Switching			
00	160	N/A	BSL00-3x-F	M8 cable connections	1	00
1	250	BFD1-31/LM	BFD1-33/LM	Pressed-in nuts with M10 screw	1	01 & 1
2	400	BFD2-31/LM	BFD2-33/LW	Pressed-in nuts with M10 screw	1	02 & 2
3	630	BFD3-31/LM	BFD3-33/LM	Pressed-in nuts with M12 screw	1	03 & 3

## Horizontal Fuse Switch Disconnectors



- Available in size 000 to 3
- Rated current range is 160A to 1600A
- For use with Class gG and aM fuse links DIN VDE 0636-2
- Horizontal and vertical style fuse switch disconnectors
- 3-Pole and 1-pole switchable

Size	Rating (A)	Catalogue Number		Terminals	Unit Packing	Compatible Fuse Links Size
		1- Pole	3-Pole			
000	160	BFH000-1A/T	BFH000-3A/T	Terminal clips for 1.5 to 50mm <sup>2</sup> cable	1	000
00	160	BFH00-1A/F	BFH00-3A/F	Terminal screw M8	1	00
1	250	BFH1-1A/F	BFH1-3A/F	Terminal screws M10	1	01 & 1
2	400	BFH2-1A/F	BFH2-3A/F	Terminal screws M10	1	02 & 2
3	630	BFH3-1AF	BFH3-3A/F	Terminal screws M12	1	03 & 3
4	1600	LBS4/1	LBS4/3	Terminal screws 2xM12	1	4



# Cooper Bussmann® Products and Technical Expertise Delivered Worldwide

## Customer Assistance

### Customer Satisfaction Team

The Cooper Bussmann® Customer Satisfaction Team is available to answer questions regarding Cooper Bussmann products.

Calls can be made between:

Monday-Thursday      7.30 am - 5.30 pm GMT  
Friday                    7.30 am - 5.00 pm GMT

The Customer Satisfaction Team can be reached via:

- Phone: 00 44 (0) 1509 882 600
- Fax: 00 44 (0) 1509 882 786
- E-mail: bulesales@cooperindustries.com

### Application Engineering

Application Engineering assistance is available to all customers. The Application Engineering team is staffed by university-qualified electrical engineers who are available by phone with technical and application support.

Monday – Thursday 8.30 am – 4.30 pm GMT  
Friday 8.30 am - 4.00 pm GMT

Application Engineering can be reached via phone, fax or email:

- Phone: 00 44 (0) 1509 882 699
- Fax: 00 44 (0) 1509 882 794
- E-mail: buletechnical@cooperindustries.com

### Online Resources

Visit [www.cooperbussmann.com](http://www.cooperbussmann.com) for the following resources:

- Product cross reference
- Product data sheets
- Product profiles
- Online catalogues featuring the latest United States and European products

---

Your Authorised Distributor: