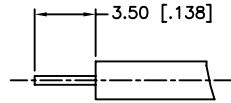
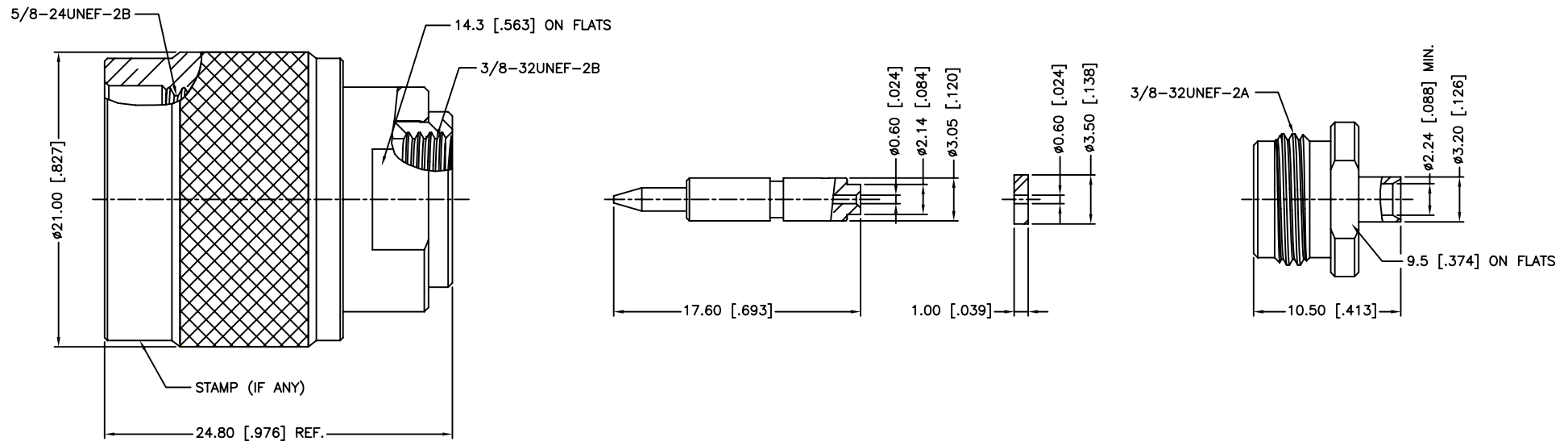
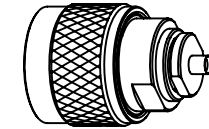


REV.	DATE	ECR NO.	DESCRIPTION
NC	05/14/98	XXXXXX	INITIAL RELEASE
A	06/25/06	XXXXXX	UPDATE DRAWING FORMAT- REVISE BODY PLATING TO NEXCOTE
B	06/29/12	2335	CHANGE TO A CAPTIVATED CENTER CONTACT, ADD ELECTRICAL AND MECHANICAL SPECS
C	07/19/12	2344	REVISE NOTE 4



RECOMMENDED
CABLE STRIPPING DIM'S



1. IMPEDANCE: 50 OHM
2. FREQUENCY RANGE: DC - 11 GHz
3. VSWR (RETURN LOSS): 1.3 MAX.
4. DIELECTRIC WITHSTANDING VOLTAGE: 1500 VRMS, MIN.
5. DURABILITY: 500 CYCLES MIN.
6. TEMPERATURE RANGE: -65°C TO 165°C
7. CRIMPED CONTACT PIN
HEX. CRIMP SIZE .100"

9	SOLDER NUT	BRASS	GOLD	1
8	INSULATOR	PTFE	NATURAL	1
7	CONTACT PIN	BRASS	GOLD	1
6	SHELL	BRASS	NEXCOTE	1
5	RETAINER RING	SUS 304	NATURAL	1
4	GASKET	SILICONE RUBBER	RED	1
3	INNER BODY	BRASS	NEXCOTE	1
2	INSULATOR	PTFE	NATURAL	1
1	BODY	BRASS	NEXCOTE	1
	DESCRIPTION	MATERIAL	FINISH	QTY

UNLESS OTHERWISE SPECIFIED DIMENSIONS ARE IN MILLIMETERS. DIMENSIONS IN [] ARE IN INCHES AND FOR CUSTOMER REFERENCE ONLY.

UNLESS OTHERWISE SPECIFIED TOLERANCES FOR MILLIMETERS ARE:
0.5 - 8mm ± 0.20mm
8 - 30mm ± 0.40mm
30 - 120mm ± 0.50mm

UNLESS OTHERWISE SPECIFIED TOLERANCES FOR INCHES ARE:
.020 - .315 = ± 0.007"
.315 - 1.180 = ± 0.015"
1.180 - 4.724 = ± 0.020"

DO NOT SCALE DRAWING

APPROVALS		DATE
DRAWN	M.ZHANG	07/19/12
CHECKED		
ISSUED		
SHEET	1 OF 1	
CAD FILE	C:/CONNEX/172211.DWG	

Amphenol Connex

PART DESCRIPTION			
N DIRECT SOLDER PLUG (FOR .085", .086" SEMI RIGID CABLE)			
PART NO.		172211	
DWG. NO.	172211.DWG	REV.	C
SIZE	A	SCALE	NA