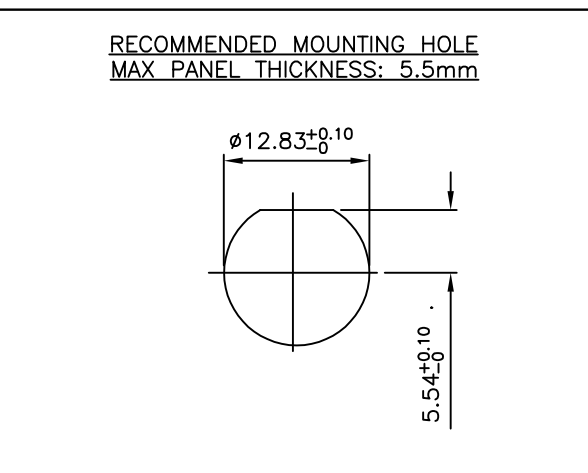
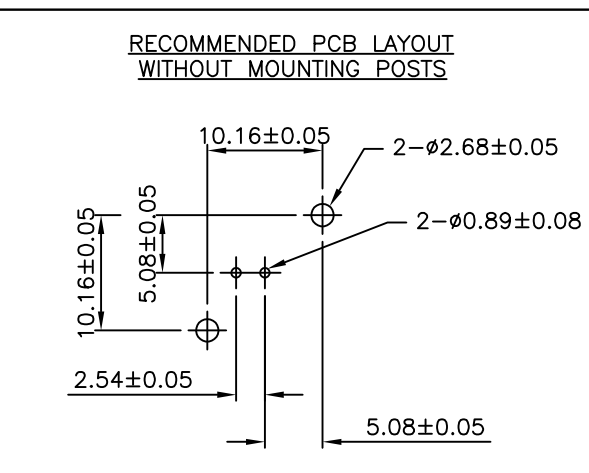
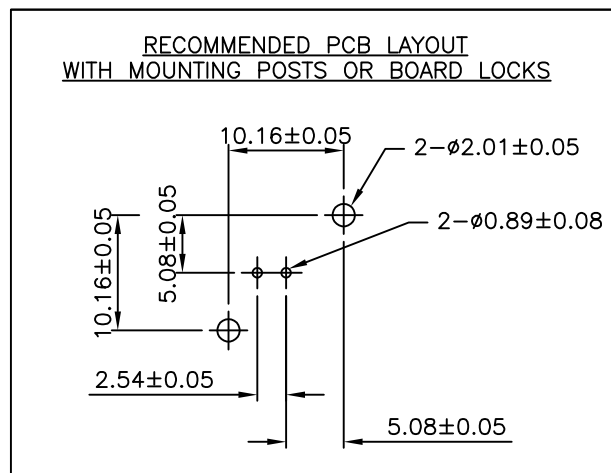
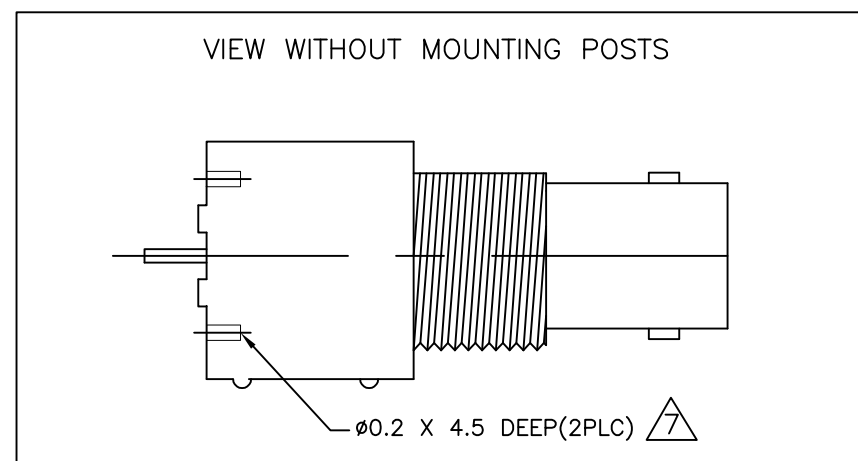
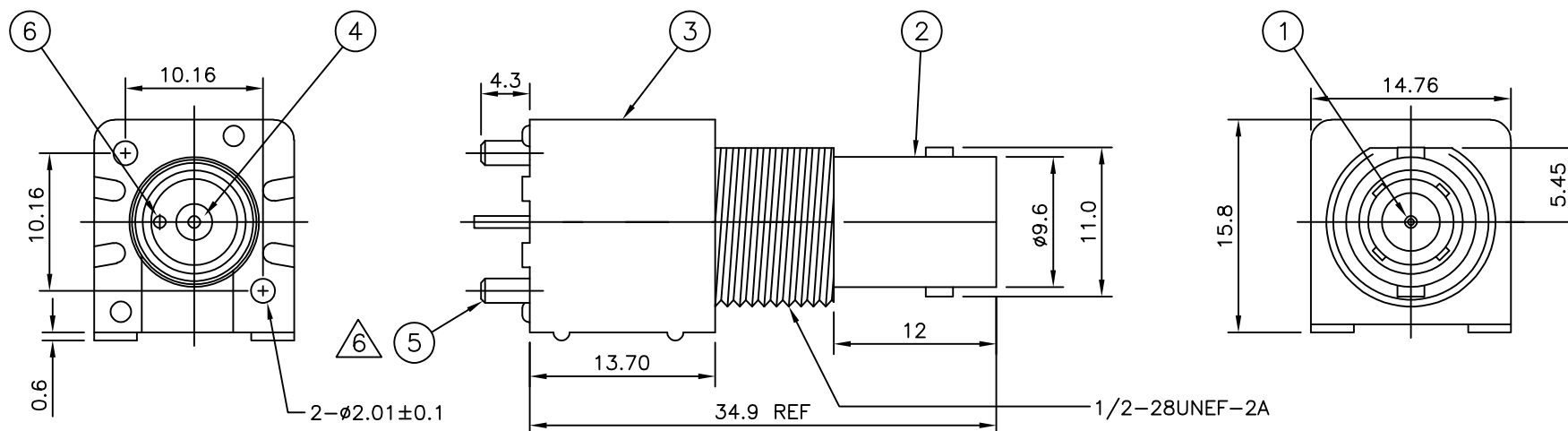


LOC	DIST	REVISIONS			
P	LTR	DESCRIPTION	DATE	DWN	APVD
E	B	C1	REVISED PER ECO-11-005033	01APR11	RK HMR
		D	REVISED PER ECO-12-010042	29MAY2012	TITAN MARTIN

NOTES:

- ① SINGLE PACK IN ACCORDANCE WITH AMP SPEC 107-3275
- ② 50 TRAY PACK IN ACCORDANCE WITH AMP SPEC 107-3275
- ③ Au PLATING OVER Ni PLATING OVER Cu PLATING
- ④ Ni PLATING OVER Cu PLATING
- ⑤ TIN PLATING
- ⑥ MOUNTING POSTS ARE OPTIONAL SEE TABLE FOR PART NUMBERS
- ⑦ RECOMMENDED SELF-TAPPING SCREW 221108-4
- 8. RECOMMENDED MOUNT NUT 1-1634816-0
- 9. RECOMMENDED LOCKWASHER 1-1634817-0
- 10. FOR TECHNICAL DATA REFER TO YOUR LOCAL TE CONNECTIVITY SALES OFFICE
- 11. ALL DIMENSIONS ARE NOMINAL FOR REFERENCE ONLY UNLESS OTHERWISE STATED



QTY	QTY	QTY	QTY	MATERIAL	DESCRIPTION	ITEM
1	1	1	1	BRASS	③ SOLDER TAIL	6
-	-	2	2	BRASS	③ MOUNTING POST	5
1	1	1	1	PE-606	INSULATOR	4
1	1	1	1	PBT WHITE	HOUSING	3
1	1	1	1	ZINC ALLOY	④ BODY	2
1	1	1	1	BRASS	③ CONTACT	1
6--1	1--1	6--0	1--0			
②	①	②	①			

QUANTITY PER ASSY: 1 1 1 1  
PARTS LIST

THIS DRAWING IS A CONTROLLED DOCUMENT.

DWN RITA ZUO 06 Mar 09  
CHK ANSON MA 06 Mar 09  
APVD BOB ZHAO 06 Mar 09

**STE** TE Connectivity

NAME: BNC STRAIGHT INSULATED PCB SOCKET 75 OHM WHITE

PRODUCT SPEC: 108-112000

APPLICATION SPEC: -

WEIGHT: -

SIZE: A3 CAGE CODE: 00779 DRAWING NO: C-1478033 RESTRICTED TO: -

MATERIAL: SEE TABLE FINISH: SEE TABLE

CUSTOMER DRAWING SCALE: NTS SHEET: 1 OF 1 REV: D