

AMPHENOL P/N:

AMPHENOL P/N	PCB THICKNESS DIM "T"	DIM 'A'	DIM 'B'
HE11-RDA-101-3	.062"[1.57]	.053"[1.35]	.053±.010"[1.35±0.25mm]
HE11-RDA-101-3-C	.062"[1.57]	.053"[1.35]	.053±.010"[1.35±0.25mm]
HE11-RDA-101-3-CT	.062"[1.57]	.053"[1.35]	.053±.010"[1.35±0.25mm]
HE11-RDA-101-4	.093"[2.36]	.081"[2.05]	.064±.010"[1.62±0.25mm]
HE11-RDA-101-4-C	.093"[2.36]	.081"[2.05]	.064±.010"[1.62±0.25mm]
HE11-RDA-101-4-CT	.093"[2.36]	.081"[2.05]	.064±.010"[1.62±0.25mm]

PART NUMBER SYSTEM:

HE11-RDA-101-X-XX

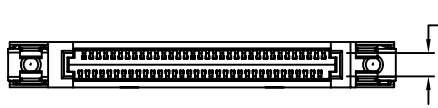
OPTIONS:
1= WITH SCREWLOCKS

BLANK= WITHOUT PLUG & WITH TUBE PACKAGING;
C = WITH PLUG & TUBE PACKAGING;
CT= WITH PLUG & TAPE & REEL PACKAGING

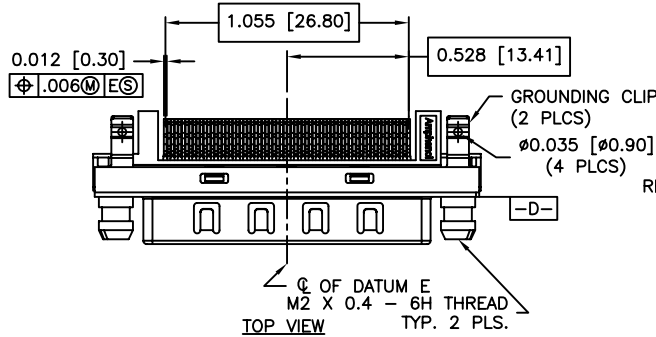
OPTIONS:
3= FOR 0.062" THICK PCB
4= FOR 0.093" THICK PCB



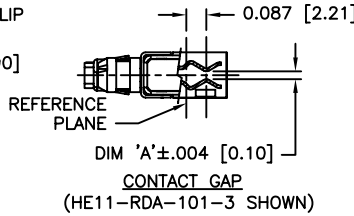
REVISIONS			
REV.	DESCRIPTION	DATE	APPROVED
A	PROPOSAL DRAWING	MAY31-07	LCHAM
B	ECN E07376	OCT22/07	LCHAM
C	PROPOSAL DRAWING	JAN 18	LC
D	CHANGE DIM FROM 0.031(0.80) TO 0.0315(0.80)	MAY 18/09	AG



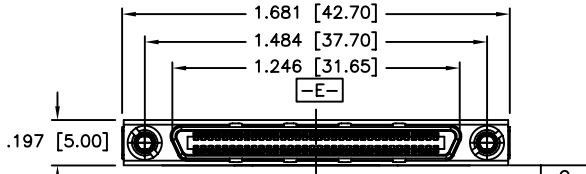
BACK VIEW



TOP VIEW

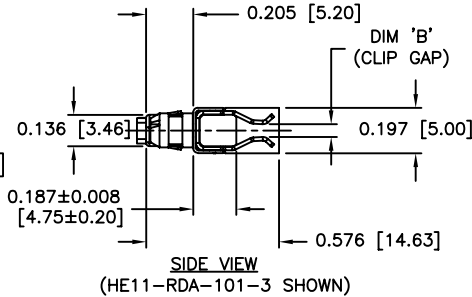


SIDE VIEW
(HE11-RDA-101-3 SHOWN)

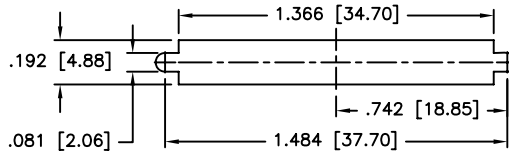


FRONT VIEW

(HE11-RDA-101-3 SHOWN)



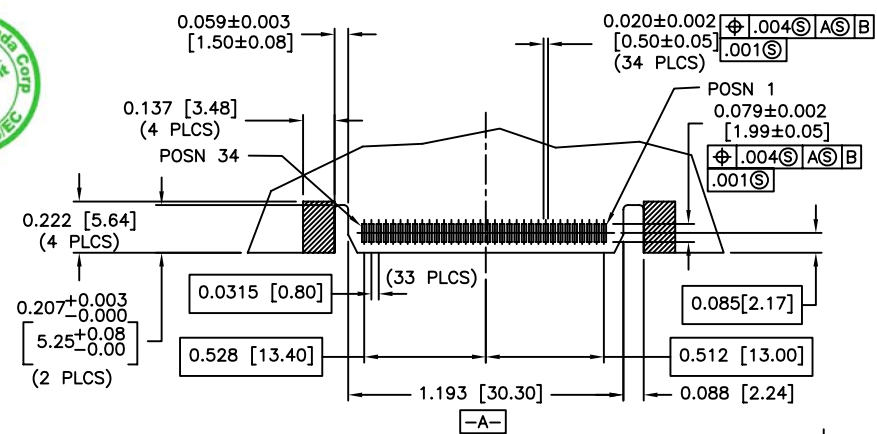
SIDE VIEW
(HE11-RDA-101-3 SHOWN)



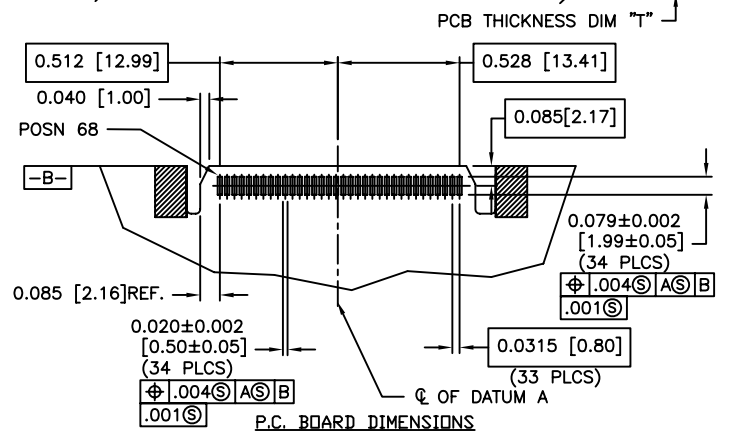
PANEL CUTOUT DIMENSIONS

NOTE:
PLASTIC HOUSING: GLASS FILLED THERMOPLASTIC, FLAMMABILITY RATING UL 94V-0, COLOUR: BLACK
CONTACTS: PHOSPHOR BRONZE
30 u" [0.76 MICRONS] GOLD OVER
50 u" [1.27 MICRONS] NICKEL.
150 u"~ 300u" [3.75~7.50 MICRONS]
MATTE TIN OVER NICKEL IN SOLDER TAIL AREA.
SHELL: STEEL, NICKEL PLATED.
SCRAWLOCK: STEEL, NICKEL PLATED.
GROUNDING CLIP: COPPER ALLOY , 150u" (3.75 MICRONS)
MATTE TIN OVER 50u" (1.27 MICRONS) NICKEL
REFLOW: 6u" (0.15 MICRONS) MIN. SOLDER PASTE ON
P.C. BOARD REQUIRED FOR REFLOW PROCESS.

DO NOT SCALE DRAWING
OR USED FOR MANUFACTURING PURPOSES WITHOUT PERMISSION FROM AMPHENOL CANADA CORP.

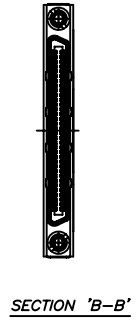
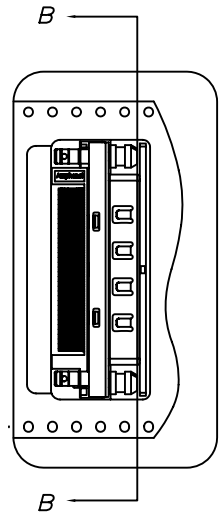
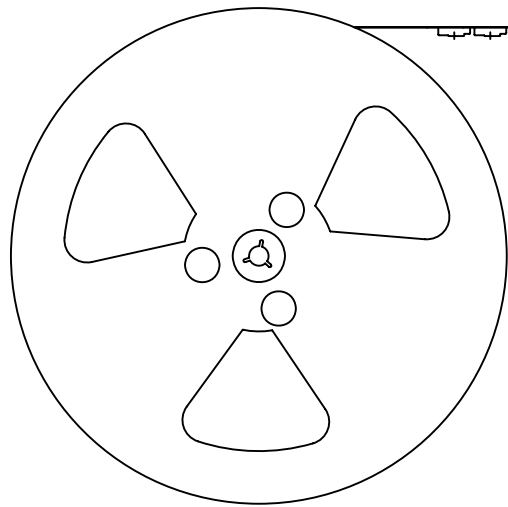
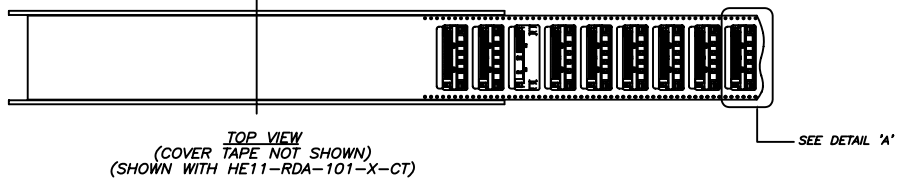


P.C. BOARD DIMENSIONS

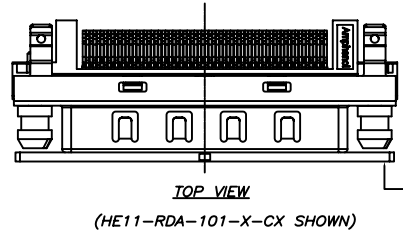
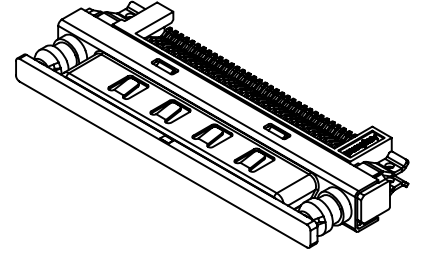


UNLESS OTHERWISE SPECIFIED DIMENSIONS ARE IN INCHES		APPROVALS	DATE	Amphenol Canada Corp.	
DRAWN	LUO.WW	REVISION	MAY31-07	TITLE	
NATERIAL AND FINISH	SEE NOTES	CHECKED	MAY31-07	VHDCI STRADDLE MOUNT RECEPTACLE, RoHS COMPLIANT	
REF.		BY APPS	L.C	DATE	MAY31-07
CODE IDENT. NO.	03554	BY APPS		SIZE	B
		BY APPS		DWG. NO.	P-HE11-RDA-101-X-XX
				SCALE	2 = 1
				PROJECT	RDA
				SHEET	1 OF 2

REVISIONS			
REV.	DESCRIPTION	DATE	APPROVED
A	PROPOSAL DRAWING	MAY31-07	LCHN
B	EON E07376	OCT28/07	LCHN
C	PROPOSAL DRAWING	JAN 18/08	LC
D	CHANGE DIM FROM 0.230(0.80) TO 0.235(0.80)	MAY 18/09	AG



- PACKAGING NOTES:**
- REEL DETAILS:
 - O.D.: 330.00 [12.992].
 - THICKNESS: 56.8 [2.236].
 - CONNECTORS PER REEL: 496.
 - TAPE & REEL PACKAGING IS IN COMPLIANCE WITH EIA 481.



PLUG COVER TO BE REMOVED AFTER CONNECTOR SOLDERED INTO THE PCB



UNLESS OTHERWISE SPECIFIED DIMENSIONS ARE IN INCHES		APPROVALS	DATE	Amphenol Canada Corp.	
DESIGNED	LUO WW		MAY31-07	TITLE	
CHECKED	MT.chen		MAY31-07	VHDCI STRADDLE MOUNT RECEPTACLE, RoHS COMPLIANT	
MATERIAL AND FINISH	SEE NOTES	IN APP'D	MAY31-07	SIZE	B
REF.		ENG APP'D		DWG. NO.	P-HE11-RDA-101-X-XX
CORE IDENT. NO.	03554	DWG APP'D		SCALE	N.T.S.
				PROJECT	RDA
				SHEET	2 OF 2

DO NOT SCALE DRAWING OR USED FOR MANUFACTURING PURPOSES WITHOUT PERMISSION FROM AMPHENOL CANADA CORP.