



**SANYO Semiconductors**

# DATA SHEET

An ON Semiconductor Company

## LV3328PM — Bi-CMOS LSI For Car Audio Systems Electronic Volume IC

### Overview

The LV3328PM is an electronic volume and tone IC implements a rich set of audio control functions with a minimal number of external components. Functions include input selection switching function, an input gain, volume, loudness, balance, fader, general-purpose ports and bass/mid/treble control.

### Features

- It is possible to eliminate from the external components of equalizer control block by SCF technology.
- Zero-cross switching circuits (Volume control block , Fader control block and General purpose volume block), soft step (3 band equalizer control) and soft mute circuits used for low noise even when input signals are present.
- Low power consumption due to the use of BiCMOS process.

### Functions

- Input switching :  
Single-end inputs (3 input systems).  
Single-end inputs (2 input systems) or differential input (1 input system).  
Differential input (1 input system).
- Input gain control :  
The input single can be amplified by 0 to +18dB (1dB steps.)
- Loudness control :  
Taps are output starting at the -32dB position of the ladder resistor and a loudness function implemented with external capacitor and resistor components.
- Volume control : +10dB to -79dB/-∞ (1dB steps)  
L/R independent control.
- Bass control :  
The bass control gain can be maximum boost +20dB position and maximum cut -20dB position.  
( +20dB to -20dB in 1dB steps.)  
The bass control center frequency 60Hz/70Hz/100Hz/120Hz can be selected.  
The bass control quality factor 1.0/2.0 can be selected.

Continued on next page.

■ Any and all SANYO Semiconductor Co.,Ltd. products described or contained herein are, with regard to "standard application", intended for the use as general electronics equipment (home appliances, AV equipment, communication device, office equipment, industrial equipment etc.). The products mentioned herein shall not be intended for use for any "special application" (medical equipment whose purpose is to sustain life, aerospace instrument, nuclear control device, burning appliances, transportation machine, traffic signal system, safety equipment etc.) that shall require extremely high level of reliability and can directly threaten human lives in case of failure or malfunction of the product or may cause harm to human bodies, nor shall they grant any guarantee thereof. If you should intend to use our products for applications outside the standard applications of our customer who is considering such use and/or outside the scope of our intended standard applications, please consult with us prior to the intended use. If there is no consultation or inquiry before the intended use, our customer shall be solely responsible for the use.

■ Specifications of any and all SANYO Semiconductor Co.,Ltd. products described or contained herein stipulate the performance, characteristics, and functions of the described products in the independent state, and are not guarantees of the performance, characteristics, and functions of the described products as mounted in the customer's products or equipment. To verify symptoms and states that cannot be evaluated in an independent device, the customer should always evaluate and test devices mounted in the customer's products or equipment.

**SANYO Semiconductor Co., Ltd.**

<http://semicon.sanyo.com/en/network>

# LV3328PM

Continued from preceding page.

- **Middle control :**  
 The middle control gain can be maximum boost +20dB position and maximum cut -20dB position.  
 (+20dB to -20dB in 1dB steps.)  
 The middle control center frequency 700Hz/1KHz/1.2KHz can be selected.  
 The middle control quality factor 1.0/2.0 can be selected.
- **Treble control :**  
 The treble control gain can be maximum boost +20dB position and maximum cut -20dB position.  
 (+20dB to -20dB in 1dB steps.)  
 The treble control center frequency 7KHz/10KHz/11KHz/12KHz can be selected.  
 The treble control quality factor 1.0/2.0 can be selected.
- **Fader control :**  
 A total of 81 positions from 0 to -79dB in 1dB steps and  $-\infty$ dB.  
 Independent control each four channels output
- **General-purpose ports control :**  
 Mono / stereo selection.  
 A total of 81 positions from 0 to -79dB in 1dB steps and  $-\infty$ dB.  
 Fader-front output mix / general purpose output selection.  
 Input switching control block / general purpose input selection .
- **Mute**

## Specifications

**Absolute Maximum Ratings** at  $T_a = 25^\circ\text{C}$ ,  $V_{SS} = 0\text{V}$

| Parameter                   | Symbol              | Conditions  | Ratings                  | Unit             |
|-----------------------------|---------------------|---|--------------------------|------------------|
| Maximum supply voltage      | $V_{DD\text{ max}}$ | $V_{DD}$  | 10                       | V                |
| Maximum input voltage       | $V_{IN\text{ max}}$ | All input pins  | $V_{SS}-0.3$ to $V_{DD}$ | V                |
| Allowable power dissipation | $P_d\text{ max}$    | $T_a \leq 85^\circ\text{C}$ , when mounted on a printed circuit board * | 600                      | mW               |
| Operating temperature       | $T_{opr}$           |   | -40 to +85               | $^\circ\text{C}$ |
| Storage temperature         | $T_{stg}$           |   | -50 to +125              | $^\circ\text{C}$ |

\* Specified circuit board :  $114.3 \times 76.1 \times 1.6\text{mm}^3$  : glass epoxy board

**Allowable Operating Ratings** at  $T_a = 25^\circ\text{C}$ ,  $V_{SS} = 0\text{V}$

| Parameter                | Symbol       | Conditions        | Ratings  |     |     | Unit          |
|--------------------------|--------------|-------------------|----------|-----|-----|---------------|
|                          |              |                   | min      | typ | max |               |
| Supply voltage           | $V_{DD}$     | $V_{DD}$          | 7.0      | 9.0 | 9.5 | V             |
| High-level input voltage | $V_{IH}$     | DATA, CLK, LEVDET | 3.0      |     | 5.5 | V             |
| Low-level input voltage  | $V_{IL}$     | DATA, CLK, LEVDET | $V_{SS}$ |     | 1.0 | V             |
| Input pulse width        | $T_{\phi W}$ | CLK               | 0.6      |     |     | $\mu\text{s}$ |
| Setup time               | $T_{setup}$  | DATA, CLK         | 0.1      |     |     | $\mu\text{s}$ |
| Hold time                | $T_{hold}$   | DATA, CLK         |          |     | 0.9 | $\mu\text{s}$ |
| Operating frequency      | fopg         | CLK               |          |     | 400 | kHz           |

# LV3328PM

**Electrical Characteristics** at  $T_a = 25^\circ\text{C}$ ,  $V_{DD} = 9\text{V}$ ,  $V_{SS} = 0\text{V}$

| Parameter                 | Symbol  | Conditions     | Ratings  |          |          | Unit       |
|---------------------------|---------|----------------|----------|----------|----------|------------|
|                           |         |                | min      | typ      | max      |            |
| <b>Input block</b>        |         |                |          |          |          |            |
| Input resistance          | Rin     | L1-L3, R1-R3   |          | 50       |          | k $\Omega$ |
|                           |         | L4-L7, R4-R7   |          | 250      |          | k $\Omega$ |
| Minimum input gain        | Gin min |                | -1.0     | 0        | +1.0     | dB         |
| Maximum input gain        | Gin max |                | +17      | +18      | +19      | dB         |
| Inter-step setting error  | ATerr   |                | -1.0     |          | +1.0     | dB         |
| Left/Right balance        | BAL     |                | -0.5     |          | +0.5     | dB         |
| <b>Volume block</b>       |         |                |          |          |          |            |
| Input resistance          | Rvr     | LVRIN, RVRIN   |          | 200      |          | k $\Omega$ |
| Inter-step setting error  | ATerr   | +10dB to -40dB | -0.5     |          | +0.5     | dB         |
| Left/Right balance        | BAL     | +10dB to -40dB | -0.5     |          | +0.5     | dB         |
| <b>Bass block</b>         |         |                |          |          |          |            |
| The maximum gain setting  | Gb max  | max. boost/cut | $\pm 18$ | $\pm 20$ | $\pm 22$ | dB         |
| Inter-step setting error  | ATerr   | -10dB to +10dB | -1.0     |          | +1.0     | dB         |
| Left/Right balance        | BAL     |                | -1.0     |          | +1.0     | dB         |
| Center frequency          | f01     |                |          | 60       |          | Hz         |
|                           | f02     |                |          | 70       |          | Hz         |
|                           | f03     |                |          | 100      |          | Hz         |
|                           | f04     |                |          | 120      |          | Hz         |
| Quality Factor            | Q01     |                |          | 1.0      |          |            |
|                           | Q02     |                |          | 2.0      |          |            |
| <b>Mid block</b>          |         |                |          |          |          |            |
| The maximum gain setting  | Gb max  | max. boost/cut | $\pm 18$ | $\pm 20$ | $\pm 22$ | dB         |
| Inter-step setting error  | ATerr   | -10dB to +10dB | -1.0     |          | +1.0     | dB         |
| Left/Right balance        | BAL     |                | -1.0     |          | +1.0     | dB         |
| Center frequency          | f01     |                |          | 700      |          | Hz         |
|                           | f02     |                |          | 1        |          | kHz        |
|                           | f03     |                |          | 1.2      |          | kHz        |
| Quality Factor            | Q01     |                |          | 1.0      |          |            |
|                           | Q02     |                |          | 2.0      |          |            |
| <b>Treble block</b>       |         |                |          |          |          |            |
| The maximum gain setting  | Gb max  | max. boost/cut | $\pm 18$ | $\pm 20$ | $\pm 22$ | dB         |
| Inter-step setting error  | ATerr   | -10dB to +10dB | -1.0     |          | +1.0     | dB         |
| Left/Right balance        | BAL     |                | -1.0     |          | +1.0     | dB         |
| Center frequency          | f01     |                |          | 7        |          | kHz        |
|                           | f02     |                |          | 10       |          | kHz        |
|                           | f03     |                |          | 11       |          | kHz        |
|                           | f04     |                |          | 12       |          | kHz        |
| Quality Factor            | Q01     |                |          | 1.0      |          |            |
|                           | Q02     |                |          | 2.0      |          |            |
| <b>General port block</b> |         |                |          |          |          |            |
| Input resistance          | Rgp     | EXLIN, EXRIN   |          | 50       |          | k $\Omega$ |
| Inter-step setting error  | ATerr   | 0dB to -40dB   | -0.5     |          | +0.5     | dB         |
| Left/Right balance        | BAL     | 0dB to -40dB   | -0.5     |          | +0.5     | dB         |
| <b>Fader block</b>        |         |                |          |          |          |            |
| Input resistance          | Rfed    | LFIN, RFIN     |          | 50       |          | k $\Omega$ |
| Inter-step setting error  | ATerr   | 0dB to -40dB   | -0.5     |          | +0.5     | dB         |
| Left/Right balance        | BAL     | 0dB to -40dB   | -0.5     |          | +0.5     | dB         |

# LV3328PM

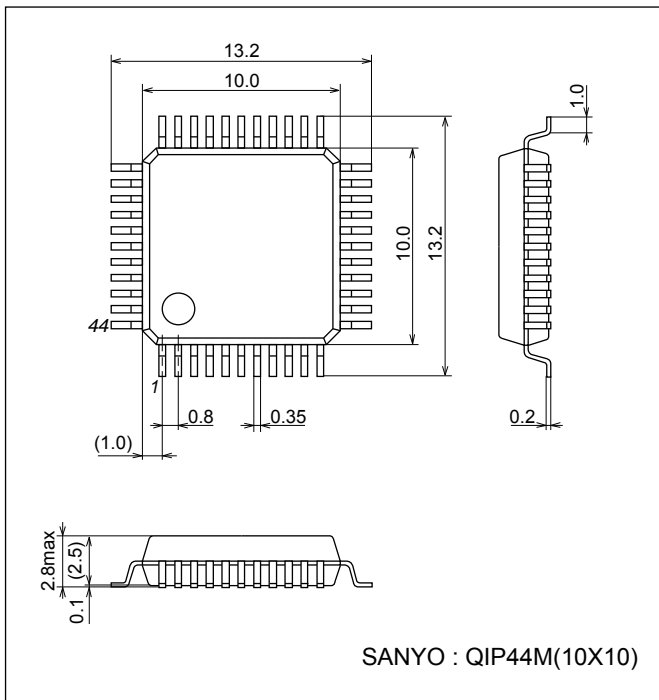
Overall Characteristics at  $T_a = 25^\circ\text{C}$ ,  $V_{DD} = 9\text{V}$ ,  $V_{SS} = 0\text{V}$

| Parameter                    | Symbol    | Conditions   | Ratings |      |      | Unit             |
|------------------------------|-----------|--|---------|------|------|------------------|
|                              |           |  | min     | typ  | max  |                  |
| A loss of insertion          | ATT       |  | -1.0    |      | +1.0 | dB               |
| Total harmonic distortion    | THD       | $V_{IN} = 1\text{Vrms}$ , $f = 1\text{kHz}$                                    |         | 0.01 |      | %                |
| Inter-input crosstalk        | CT        | $V_{IN} = 1\text{Vrms}$ , $f = 1\text{kHz}$                                    |         | 80   |      | dB               |
| Left/Right channel crosstalk | CT        | $V_{IN} = 1\text{Vrms}$ , $f = 1\text{kHz}$                                    |         | 80   |      | dB               |
| Maximum attenuation          | $V_O$ min | $V_{IN} = 1\text{Vrms}$ , $f = 1\text{kHz}$                                    |         | 80   |      | dB               |
| Output noise voltage         | VN        | IHF-A, $R_{in} = 1\text{k}\Omega$  |         | 11   |      | $\mu\text{Vrms}$ |
| Current drain                | $I_{DD}$  |  |         | 32   |      | mA               |
| Input high-level current     | $I_{IH}$  | DATA, CLK, $V_{IN} = 5.5\text{V}$  |         |      | 10   | $\mu\text{A}$    |
| Input low-level current      | $I_{IL}$  | DATA, CLK, $V_{IN} = 0\text{V}$  | -10     |      |      | $\mu\text{A}$    |
| Maximum input voltage        | VCL       | THD = 1% $R_L = 10\text{k}\Omega$<br>all controls flat, $f_{IN} = 1\text{kHz}$ |         | 2.5  |      | Vrms             |
| Common-mode rejection ratio  | CMRR      | $V_{IN} = 1\text{Vrms}$ , $f = 1\text{kHz}$                                    |         | 50   |      | dB               |

## Package Dimensions

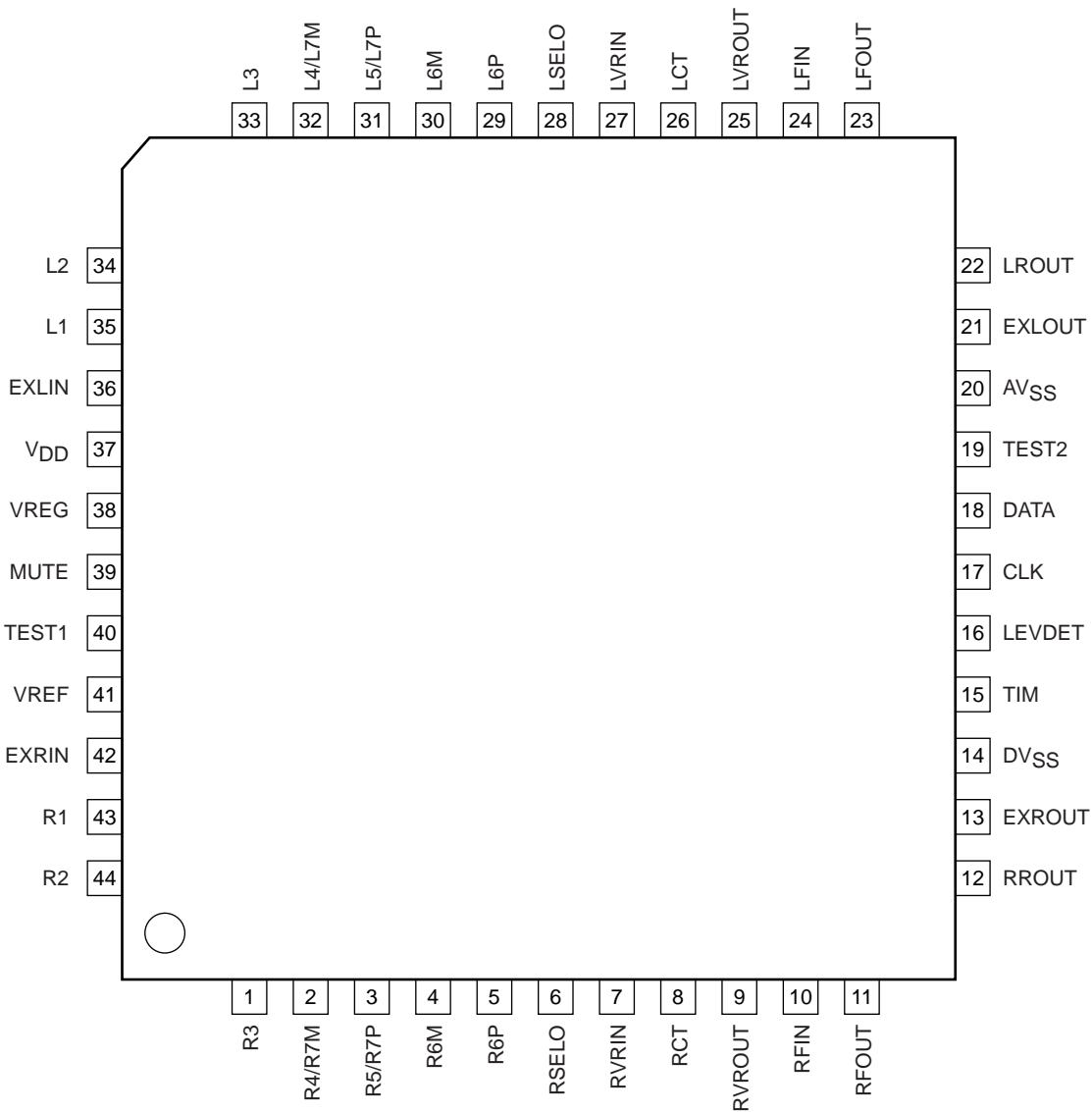
unit : mm (typ)

3148A



# LV3328PM

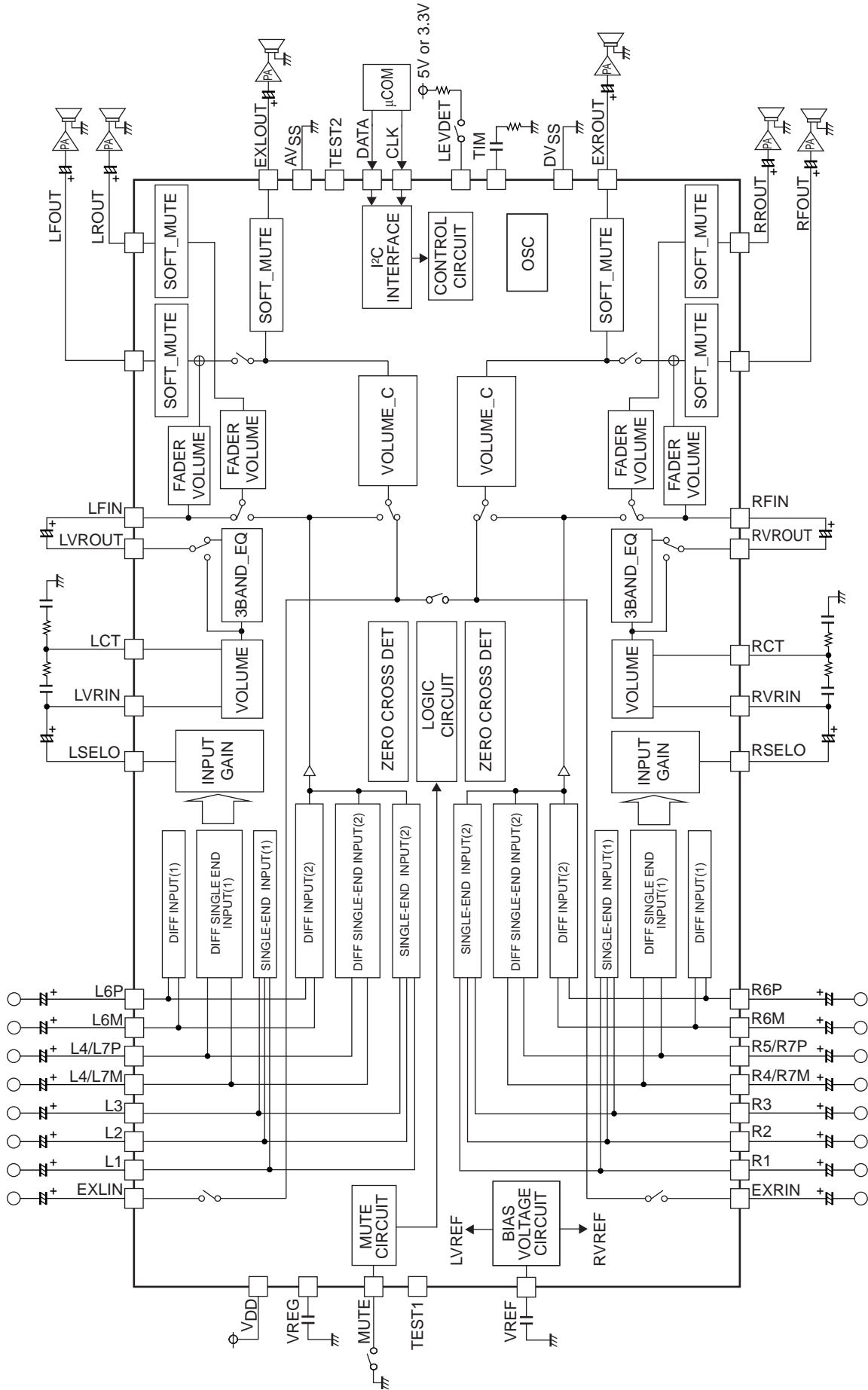
## Pin Assignment



PCA01517

# LV3328PM

## Block Diagram



# LV3328PM

## Pin Functions

| Pin No.                         | Pin                                  | Function  | Equivalent Circuit |
|---------------------------------|--------------------------------------|---|--------------------|
| 35<br>34<br>33<br>43<br>44<br>1 | L1<br>L2<br>L3<br>R1<br>R2<br>R3     | Single end input pins.  |                    |
| 32<br>31<br>2<br>3              | L4/L7M<br>L5/L7P<br>R4/R7M<br>R5/R7P | Single end input pins/ Differential input pins<br>When differential input is selected L4→L7M,<br>L5→L7P, R4→R7M, R5→R7P |                    |
| 30<br>29<br>4<br>5              | L6M<br>L6P<br>R6M<br>R6P             | Differential input pins.  |                    |
| 28<br>6                         | LSELO<br>RSELO                       | Input selector output pins.   |                    |
| 27<br>7                         | LVRIN<br>RVRIN                       | Main volume input pins.   |                    |
| 26<br>8                         | LCT<br>RCT                           | Loudness function pins.   |                    |

Continued on next page.

# LV3328PM

Continued from preceding page.

| Pin No.              | Pin                              | Function   | Equivalent Circuit |
|----------------------|----------------------------------|--|--------------------|
| 25<br>9              | LVROUT<br>RVROUT                 | Tone output pins.  |                    |
| 24<br>10             | LFIN<br>RFIN                     | Fader block input pins.<br>Drive at low impedance.   |                    |
| 23<br>22<br>11<br>12 | LFOUT<br>LROUT<br>RFOUT<br>RROUT | Fader output pins. Attenuation is possible separately for the front end and rear end.  |                    |
| 41                   | VREF                             | Connect a capacitor of a few tens of uF between VREF and AVSS (VSS) as a 0.5 × VDD voltage generator, current ripple countermeasure.                                   |                    |
| 38                   | VREG                             | Internal logic voltage pin.  |                    |
| 37                   | VDD                              | Power supply pin.  |                    |
| 20                   | AVSS                             | Analog ground pin.   |                    |
| 14                   | DVSS                             | Digital ground pin   |                    |
| 39                   | MUTE                             | External muting control pin.<br>Setting this pin to VSS level sets forcibly fader volume block to -∞ level.  |                    |
| 15                   | TIM                              | Timer pin when there is no signal in the zero cross circuit. Forcibly set data when there is no zero cross signal, from the time the data is set until the timer ends. |                    |

Continued on next page.



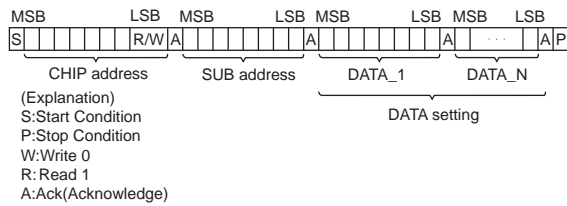
# LV3328PM

Continued from preceding page.

| Pin No.  | Pin              | Function   | Equivalent Circuit |
|----------|------------------|--|--------------------|
| 17       | CLK              | Serial data clock input pin for control.                             |                    |
| 18       | DATA             | Serial data input pin for control.                                   |                    |
| 16       | LEVDET           | Output level detection pin.<br>When the level detection unused: OPEN |                    |
| 40<br>19 | TEST1<br>TEST2   | TEST pin<br>Normally this pin is OPEN.                               |                    |
| 36<br>42 | EXLIN<br>EXRIN   | General-purpose port input pin.                                      |                    |
| 21<br>13 | EXLOUT<br>EXROUT | General-purpose port output pin.                                     |                    |

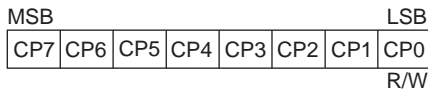
# LV3328PM

## DATA format : I<sup>2</sup>C data specification



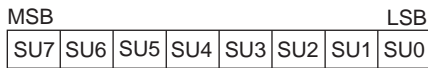
For continuous data transmission, the auto increment function causes data to be written into the sub-address DATA\_(N+1). The sub-address of DATA\_29 is followed by DATA\_1.

### CHIP address



|     |     |     |     |     |     |     |     |  |
|-----|-----|-----|-----|-----|-----|-----|-----|--|
| CP7 | CP6 | CP5 | CP4 | CP3 | CP2 | CP1 | CP0 |  |
| 1   | 0   | 0   | 0   | 0   | 0   | 1   | 0   |  |

### SUB address



| Block   | SUB address |     |     |     |     |     |     |     |     |
|---|-------------|-----|-----|-----|-----|-----|-----|-----|-----|
|   |             | SU7 | SU6 | SU5 | SU4 | SU3 | SU2 | SU1 | SU0 |
| Input selection (1)   | DATA_1      | 1   | 0   | 0   | 0   | 0   | 0   | 0   | 0   |
| Input selection (2)   | DATA_2      | 0   | 1   | 0   | 0   | 0   | 0   | 0   | 0   |
| Input gain control (Lch)  | DATA_3      | 1   | 1   | 0   | 0   | 0   | 0   | 0   | 0   |
| Input gain control (Rch)  | DATA_4      | 0   | 0   | 1   | 0   | 0   | 0   | 0   | 0   |
| Volume control (Lch)  | DATA_5      | 1   | 0   | 1   | 0   | 0   | 0   | 0   | 0   |
| Volume control(Rch)   | DATA_6      | 0   | 1   | 1   | 0   | 0   | 0   | 0   | 0   |
| BASS f0 Q setting(Lch)  | DATA_7      | 1   | 1   | 1   | 0   | 0   | 0   | 0   | 0   |
| BASS f0 Q setting(Rch)  | DATA_8      | 0   | 0   | 0   | 1   | 0   | 0   | 0   | 0   |
| MID f0 Q setting(Lch)   | DATA_9      | 1   | 0   | 0   | 1   | 0   | 0   | 0   | 0   |
| MID f0 Q setting(Rch)   | DATA_10     | 0   | 1   | 0   | 1   | 0   | 0   | 0   | 0   |
| TREBLE f0 Q setting(Lch)  | DATA_11     | 1   | 1   | 0   | 1   | 0   | 0   | 0   | 0   |
| TREBLE f0 Q setting(Rch)  | DATA_12     | 0   | 0   | 1   | 1   | 0   | 0   | 0   | 0   |
| BASS control (Lch)  | DATA_13     | 1   | 0   | 1   | 1   | 0   | 0   | 0   | 0   |
| BASS control (Rch)  | DATA_14     | 0   | 1   | 1   | 1   | 0   | 0   | 0   | 0   |
| MID control (Lch)   | DATA_15     | 1   | 1   | 1   | 1   | 0   | 0   | 0   | 0   |
| MID control (Rch)   | DATA_16     | 0   | 0   | 0   | 0   | 1   | 0   | 0   | 0   |
| TREBLE control (Lch)  | DATA_17     | 1   | 0   | 0   | 0   | 1   | 0   | 0   | 0   |
| TREBLE control (Rch)  | DATA_18     | 0   | 1   | 0   | 0   | 1   | 0   | 0   | 0   |
| General-purpose volume control (Lch)                            | DATA_19     | 1   | 1   | 0   | 0   | 1   | 0   | 0   | 0   |
| General-purpose volume control (Rch)                            | DATA_20     | 0   | 0   | 1   | 0   | 1   | 0   | 0   | 0   |
| Fader control (LFOUT)   | DATA_21     | 1   | 0   | 1   | 0   | 1   | 0   | 0   | 0   |
| Fader control (LROUT)   | DATA_22     | 0   | 1   | 1   | 0   | 1   | 0   | 0   | 0   |
| Fader control (RFOUT)   | DATA_23     | 1   | 1   | 1   | 0   | 1   | 0   | 0   | 0   |
| Fader control (RROUT)   | DATA_24     | 0   | 0   | 0   | 1   | 1   | 0   | 0   | 0   |
| General-purpose input, mixing, output level detection, FAD_rear | DATA_25     | 1   | 0   | 0   | 1   | 1   | 0   | 0   | 0   |
| Loudness, Tone-pass select, EXTOUT output signal setting        | DATA_26     | 0   | 1   | 0   | 1   | 1   | 0   | 0   | 0   |
| Zero crossing control   | DATA_27     | 1   | 1   | 0   | 1   | 1   | 0   | 0   | 0   |
| Soft step/soft mute   | DATA_28     | 0   | 0   | 1   | 1   | 1   | 0   | 0   | 0   |
| TEST control  | DATA_29     | 1   | 0   | 1   | 1   | 1   | 0   | 0   | 0   |

# LV3328PM

## DATA

|     |    |    |    |    |    |    |     |
|-----|----|----|----|----|----|----|-----|
| MSB |    |    |    |    |    |    | LSB |
| D7  | D6 | D5 | D4 | D3 | D2 | D1 | D0  |

### DATA\_1(input selection(1))

| D7 | D6 | D5 | D4 | D3 | D2 | D1 | D0 |                           |
|----|----|----|----|----|----|----|----|---------------------------|
| 0  | 0  | 0  | 0  | 0  | 0  | 0  | 0  | INMUTE                    |
| 1  | 0  | 0  | 0  | 0  | 0  | 0  | 0  | L1(R1):INPUT(1) setting   |
| 0  | 1  | 0  | 0  | 0  | 0  | 0  | 0  | L2(R2):INPUT(1) setting   |
| 1  | 1  | 0  | 0  | 0  | 0  | 0  | 0  | L3(R3):INPUT(1) setting   |
| 0  | 0  | 1  | 0  | 0  | 0  | 0  | 0  | L4(R4):INPUT(1) setting   |
| 1  | 0  | 1  | 0  | 0  | 0  | 0  | 0  | L5(R5):INPUT(1) setting   |
| 0  | 1  | 1  | 0  | 0  | 0  | 0  | 0  | L6(R6):INPUT(1) setting   |
| 1  | 1  | 1  | 0  | 0  | 0  | 0  | 0  | L7(R7):INPUT(1) setting*1 |

\*1: The input is switched to the difference stereo input.(object chanel...L4(L7M),L5(L7P),R4(R7M),R5(R7P))

### DATA\_2(input selection(2))

| D7 | D6 | D5 | D4 | D3 | D2 | D1 | D0 |                           |
|----|----|----|----|----|----|----|----|---------------------------|
| 0  | 0  | 0  | 0  | 0  | 0  | 0  | 0  | INMUTE                    |
| 1  | 0  | 0  | 0  | 0  | 0  | 0  | 0  | L1(R1):INPUT(2) setting   |
| 0  | 1  | 0  | 0  | 0  | 0  | 0  | 0  | L2(R2):INPUT(2) setting   |
| 1  | 1  | 0  | 0  | 0  | 0  | 0  | 0  | L3(R3):INPUT(2) setting   |
| 0  | 0  | 1  | 0  | 0  | 0  | 0  | 0  | L4(R4):INPUT(2) setting   |
| 1  | 0  | 1  | 0  | 0  | 0  | 0  | 0  | L5(R5):INPUT(2) setting   |
| 0  | 1  | 1  | 0  | 0  | 0  | 0  | 0  | L6(R6):INPUT(2) setting   |
| 1  | 1  | 1  | 0  | 0  | 0  | 0  | 0  | L7(R7):INPUT(2) setting*2 |

\*2: The input is switched to the difference stereo input. (object chanel...L4(L7M),L5(L7P),R4(R7M),R5(R7P))

### DATA\_3,DATA\_4(input gain control)

| D7 | D6 | D5 | D4 | D3 | D2 | D1 | D0 | DATA_3:Lch side<br>DATA_4:Rch side |
|----|----|----|----|----|----|----|----|------------------------------------|
| 0  | 0  | 0  | 0  | 0  | 0  | 0  | 0  | 0dB                                |
| 1  | 0  | 0  | 0  | 0  | 0  | 0  | 0  | +1dB                               |
| 0  | 1  | 0  | 0  | 0  | 0  | 0  | 0  | +2dB                               |
| 1  | 1  | 0  | 0  | 0  | 0  | 0  | 0  | +3dB                               |
| 0  | 0  | 1  | 0  | 0  | 0  | 0  | 0  | +4dB                               |
| 1  | 0  | 1  | 0  | 0  | 0  | 0  | 0  | +5dB                               |
| 0  | 1  | 1  | 0  | 0  | 0  | 0  | 0  | +6dB                               |
| 1  | 1  | 1  | 0  | 0  | 0  | 0  | 0  | +7dB                               |
| 0  | 0  | 0  | 1  | 0  | 0  | 0  | 0  | +8dB                               |
| 1  | 0  | 0  | 1  | 0  | 0  | 0  | 0  | +9dB                               |
| 0  | 1  | 0  | 1  | 0  | 0  | 0  | 0  | +10dB                              |
| 1  | 1  | 0  | 1  | 0  | 0  | 0  | 0  | +11dB                              |
| 0  | 0  | 1  | 1  | 0  | 0  | 0  | 0  | +12dB                              |
| 1  | 0  | 1  | 1  | 0  | 0  | 0  | 0  | +13dB                              |
| 0  | 1  | 1  | 1  | 0  | 0  | 0  | 0  | +14dB                              |
| 1  | 1  | 1  | 1  | 0  | 0  | 0  | 0  | +15dB                              |
| 0  | 0  | 0  | 0  | 1  | 0  | 0  | 0  | +16dB                              |
| 1  | 0  | 0  | 0  | 1  | 0  | 0  | 0  | +17dB                              |
| 0  | 1  | 0  | 0  | 1  | 0  | 0  | 0  | +18dB                              |

# LV3328PM

DATA\_5,DATA\_6(volume control):10dB to -40dB

| D7 | D6 | D5 | D4 | D3 | D2 | D1 | D0 | DATA_5:Lch side<br>DATA_6:Rch side |
|----|----|----|----|----|----|----|----|------------------------------------|
| 0  | 1  | 1  | 0  | 1  | 1  | 1  | 0  | 10dB                               |
| 1  | 1  | 1  | 0  | 1  | 1  | 1  | 0  | 9dB                                |
| 0  | 0  | 0  | 1  | 1  | 1  | 1  | 0  | 8dB                                |
| 1  | 0  | 0  | 1  | 1  | 1  | 1  | 0  | 7dB                                |
| 0  | 1  | 0  | 1  | 1  | 1  | 1  | 0  | 6dB                                |
| 1  | 1  | 0  | 1  | 1  | 1  | 1  | 0  | 5dB                                |
| 0  | 0  | 1  | 1  | 1  | 1  | 1  | 0  | 4dB                                |
| 1  | 0  | 1  | 1  | 1  | 1  | 1  | 0  | 3dB                                |
| 0  | 1  | 1  | 1  | 1  | 1  | 1  | 0  | 2dB                                |
| 1  | 1  | 1  | 1  | 1  | 1  | 1  | 0  | 1dB                                |
| 0  | 0  | 0  | 0  | 0  | 0  | 0  | 0  | 0dB                                |
| 1  | 0  | 0  | 0  | 0  | 0  | 0  | 0  | -1dB                               |
| 0  | 1  | 0  | 0  | 0  | 0  | 0  | 0  | -2dB                               |
| 1  | 1  | 0  | 0  | 0  | 0  | 0  | 0  | -3dB                               |
| 0  | 0  | 1  | 0  | 0  | 0  | 0  | 0  | -4dB                               |
| 1  | 0  | 1  | 0  | 0  | 0  | 0  | 0  | -5dB                               |
| 0  | 1  | 1  | 0  | 0  | 0  | 0  | 0  | -6dB                               |
| 1  | 1  | 1  | 0  | 0  | 0  | 0  | 0  | -7dB                               |
| 0  | 0  | 0  | 1  | 0  | 0  | 0  | 0  | -8dB                               |
| 1  | 0  | 0  | 1  | 0  | 0  | 0  | 0  | -9dB                               |
| 0  | 1  | 0  | 1  | 0  | 0  | 0  | 0  | -10dB                              |
| 1  | 1  | 0  | 1  | 0  | 0  | 0  | 0  | -11dB                              |
| 0  | 0  | 1  | 1  | 0  | 0  | 0  | 0  | -12dB                              |
| 1  | 0  | 1  | 1  | 0  | 0  | 0  | 0  | -13dB                              |
| 0  | 1  | 1  | 1  | 0  | 0  | 0  | 0  | -14dB                              |
| 1  | 1  | 1  | 1  | 0  | 0  | 0  | 0  | -15dB                              |
| 0  | 0  | 0  | 0  | 1  | 0  | 0  | 0  | -16dB                              |
| 1  | 0  | 0  | 0  | 1  | 0  | 0  | 0  | -17dB                              |
| 0  | 1  | 0  | 0  | 1  | 0  | 0  | 0  | -18dB                              |
| 1  | 1  | 0  | 0  | 1  | 0  | 0  | 0  | -19dB                              |
| 0  | 0  | 1  | 0  | 1  | 0  | 0  | 0  | -20dB                              |
| 1  | 0  | 1  | 0  | 1  | 0  | 0  | 0  | -21dB                              |
| 0  | 1  | 1  | 0  | 1  | 0  | 0  | 0  | -22dB                              |
| 1  | 1  | 1  | 0  | 1  | 0  | 0  | 0  | -23dB                              |
| 0  | 0  | 0  | 1  | 1  | 0  | 0  | 0  | -24dB                              |
| 1  | 0  | 0  | 1  | 1  | 0  | 0  | 0  | -25dB                              |
| 0  | 1  | 0  | 1  | 1  | 0  | 0  | 0  | -26dB                              |
| 1  | 1  | 0  | 1  | 1  | 0  | 0  | 0  | -27dB                              |
| 0  | 0  | 1  | 1  | 1  | 0  | 0  | 0  | -28dB                              |
| 1  | 0  | 1  | 1  | 1  | 0  | 0  | 0  | -29dB                              |
| 0  | 1  | 1  | 1  | 1  | 0  | 0  | 0  | -30dB                              |
| 1  | 1  | 1  | 1  | 1  | 0  | 0  | 0  | -31dB                              |
| 0  | 0  | 0  | 0  | 0  | 1  | 0  | 0  | -32dB                              |
| 1  | 0  | 0  | 0  | 0  | 1  | 0  | 0  | -33dB                              |
| 0  | 1  | 0  | 0  | 0  | 1  | 0  | 0  | -34dB                              |
| 1  | 1  | 0  | 0  | 0  | 1  | 0  | 0  | -35dB                              |
| 0  | 0  | 1  | 0  | 0  | 1  | 0  | 0  | -36dB                              |
| 1  | 0  | 1  | 0  | 0  | 1  | 0  | 0  | -37dB                              |
| 0  | 1  | 1  | 0  | 0  | 1  | 0  | 0  | -38dB                              |
| 1  | 1  | 1  | 0  | 0  | 1  | 0  | 0  | -39dB                              |
| 0  | 0  | 0  | 1  | 0  | 1  | 0  | 0  | -40dB                              |

## LV3328PM

DATA\_5,DATA\_6(volume control):-41dB to -∞

| D7 | D6 | D5 | D4 | D3 | D2 | D1 | D0 | DATA_5:Lch side<br>DATA_6:Rch side |
|----|----|----|----|----|----|----|----|------------------------------------|
| 1  | 0  | 0  | 1  | 0  | 1  | 0  | 0  | -41dB                              |
| 0  | 1  | 0  | 1  | 0  | 1  | 0  | 0  | -42dB                              |
| 1  | 1  | 0  | 1  | 0  | 1  | 0  | 0  | -43dB                              |
| 0  | 0  | 1  | 1  | 0  | 1  | 0  | 0  | -44dB                              |
| 1  | 0  | 1  | 1  | 0  | 1  | 0  | 0  | -45dB                              |
| 0  | 1  | 1  | 1  | 0  | 1  | 0  | 0  | -46dB                              |
| 1  | 1  | 1  | 1  | 0  | 1  | 0  | 0  | -47dB                              |
| 0  | 0  | 0  | 0  | 1  | 1  | 0  | 0  | -48dB                              |
| 1  | 0  | 0  | 0  | 1  | 1  | 0  | 0  | -49dB                              |
| 0  | 1  | 0  | 0  | 1  | 1  | 0  | 0  | -50dB                              |
| 1  | 1  | 0  | 0  | 1  | 1  | 0  | 0  | -51dB                              |
| 0  | 0  | 1  | 0  | 1  | 1  | 0  | 0  | -52dB                              |
| 1  | 0  | 1  | 0  | 1  | 1  | 0  | 0  | -53dB                              |
| 0  | 1  | 1  | 0  | 1  | 1  | 0  | 0  | -54dB                              |
| 1  | 1  | 1  | 0  | 1  | 1  | 0  | 0  | -55dB                              |
| 0  | 0  | 0  | 1  | 1  | 1  | 0  | 0  | -56dB                              |
| 1  | 0  | 0  | 1  | 1  | 1  | 0  | 0  | -57dB                              |
| 0  | 1  | 0  | 1  | 1  | 1  | 0  | 0  | -58dB                              |
| 1  | 1  | 0  | 1  | 1  | 1  | 0  | 0  | -59dB                              |
| 0  | 0  | 1  | 1  | 1  | 1  | 0  | 0  | -60dB                              |
| 1  | 0  | 1  | 1  | 1  | 1  | 0  | 0  | -61dB                              |
| 0  | 1  | 1  | 1  | 1  | 1  | 0  | 0  | -62dB                              |
| 1  | 1  | 1  | 1  | 1  | 1  | 0  | 0  | -63dB                              |
| 0  | 0  | 0  | 0  | 0  | 0  | 1  | 0  | -64dB                              |
| 1  | 0  | 0  | 0  | 0  | 0  | 1  | 0  | -65dB                              |
| 0  | 1  | 0  | 0  | 0  | 0  | 1  | 0  | -66dB                              |
| 1  | 1  | 0  | 0  | 0  | 0  | 1  | 0  | -67dB                              |
| 0  | 0  | 1  | 0  | 0  | 0  | 1  | 0  | -68dB                              |
| 1  | 0  | 1  | 0  | 0  | 0  | 1  | 0  | -69dB                              |
| 0  | 1  | 1  | 0  | 0  | 0  | 1  | 0  | -70dB                              |
| 1  | 1  | 1  | 0  | 0  | 0  | 1  | 0  | -71dB                              |
| 0  | 0  | 0  | 1  | 0  | 0  | 1  | 0  | -72dB                              |
| 1  | 0  | 0  | 1  | 0  | 0  | 1  | 0  | -73dB                              |
| 0  | 1  | 0  | 1  | 0  | 0  | 1  | 0  | -74dB                              |
| 1  | 1  | 0  | 1  | 0  | 0  | 1  | 0  | -75dB                              |
| 0  | 0  | 1  | 1  | 0  | 0  | 1  | 0  | -76dB                              |
| 1  | 0  | 1  | 1  | 0  | 0  | 1  | 0  | -77dB                              |
| 0  | 1  | 1  | 1  | 0  | 0  | 1  | 0  | -78dB                              |
| 1  | 1  | 1  | 1  | 0  | 0  | 1  | 0  | -79dB                              |
| 0  | 0  | 0  | 0  | 1  | 0  | 1  | 0  | -∞                                 |

## LV3328PM

### DATA\_7,DATA\_8(BASS f0,Q setting)

| D7 | D6 | D5 | D4 | D3 | D2 | D1 | D0 | DATA_7:Lch side<br>DATA_8:Rch side |
|----|----|----|----|----|----|----|----|------------------------------------|
| 0  | 0  | *  | *  | 0  | 0  | 0  | 0  | f0:60Hz                            |
| 1  | 0  | *  | *  | 0  | 0  | 0  | 0  | f0:70Hz                            |
| 0  | 1  | *  | *  | 0  | 0  | 0  | 0  | f0:100Hz                           |
| 1  | 1  | *  | *  | 0  | 0  | 0  | 0  | f0:120Hz                           |
|    |    |    |    |    |    |    |    |                                    |
| *  | *  | 0  | 0  | 0  | 0  | 0  | 0  | Q:1.00                             |
| *  | *  | 1  | 0  | 0  | 0  | 0  | 0  | Q:2.00                             |

### DATA\_9,DATA\_10(MID f0,Q setting)

| D7 | D6 | D5 | D4 | D3 | D2 | D1 | D0 | DATA_9:Lch side<br>DATA_10:Rch side |
|----|----|----|----|----|----|----|----|-------------------------------------|
| 0  | 0  | *  | *  | 0  | 0  | 0  | 0  | f0:700Hz                            |
| 1  | 0  | *  | *  | 0  | 0  | 0  | 0  | f0:1kHz                             |
| 0  | 1  | *  | *  | 0  | 0  | 0  | 0  | f0:1.2kHz                           |
|    |    |    |    |    |    |    |    |                                     |
| *  | *  | 0  | 0  | 0  | 0  | 0  | 0  | Q:1.00                              |
| *  | *  | 1  | 0  | 0  | 0  | 0  | 0  | Q:2.00                              |

### DATA\_11,DATA\_12(TREBLE f0,Q setting)

| D7 | D6 | D5 | D4 | D3 | D2 | D1 | D0 | DATA_11:Lch side<br>DATA_12:Rch side |
|----|----|----|----|----|----|----|----|--------------------------------------|
| 0  | 0  | *  | *  | 0  | 0  | 0  | 0  | f0:7kHz                              |
| 1  | 0  | *  | *  | 0  | 0  | 0  | 0  | f0:10kHz                             |
| 0  | 1  | *  | *  | 0  | 0  | 0  | 0  | f0:11kHz                             |
| 1  | 1  | *  | *  | 0  | 0  | 0  | 0  | f0:12kHz                             |
|    |    |    |    |    |    |    |    |                                      |
| *  | *  | 0  | 0  | 0  | 0  | 0  | 0  | Q:1.00                               |
| *  | *  | 1  | 0  | 0  | 0  | 0  | 0  | Q:2.00                               |

## LV3328PM

DATA\_13,DATA\_14(TONE block BASS control)

| D7 | D6 | D5 | D4 | D3 | D2 | D1 | D0 | DATA_13:Lch side<br>DATA_14:Rch side |
|----|----|----|----|----|----|----|----|--------------------------------------|
| 0  | 0  | 1  | 0  | 1  | 1  | 0  | 0  | GAIN:+20dB                           |
| 1  | 1  | 0  | 0  | 1  | 1  | 0  | 0  | GAIN:+19dB                           |
| 0  | 1  | 0  | 0  | 1  | 1  | 0  | 0  | GAIN:+18dB                           |
| 1  | 0  | 0  | 0  | 1  | 1  | 0  | 0  | GAIN:+17dB                           |
| 0  | 0  | 0  | 0  | 1  | 1  | 0  | 0  | GAIN:+16dB                           |
| 1  | 1  | 1  | 1  | 0  | 1  | 0  | 0  | GAIN:+15dB                           |
| 0  | 1  | 1  | 1  | 0  | 1  | 0  | 0  | GAIN:+14dB                           |
| 1  | 0  | 1  | 1  | 0  | 1  | 0  | 0  | GAIN:+13dB                           |
| 0  | 0  | 1  | 1  | 0  | 1  | 0  | 0  | GAIN:+12dB                           |
| 1  | 1  | 0  | 1  | 0  | 1  | 0  | 0  | GAIN:+11dB                           |
| 0  | 1  | 0  | 1  | 0  | 1  | 0  | 0  | GAIN:+10dB                           |
| 1  | 0  | 0  | 1  | 0  | 1  | 0  | 0  | GAIN:+9dB                            |
| 0  | 0  | 0  | 1  | 0  | 1  | 0  | 0  | GAIN:+8dB                            |
| 1  | 1  | 1  | 0  | 0  | 1  | 0  | 0  | GAIN:+7dB                            |
| 0  | 1  | 1  | 0  | 0  | 1  | 0  | 0  | GAIN:+6dB                            |
| 1  | 0  | 1  | 0  | 0  | 1  | 0  | 0  | GAIN:+5dB                            |
| 0  | 0  | 1  | 0  | 0  | 1  | 0  | 0  | GAIN:+4dB                            |
| 1  | 1  | 0  | 0  | 0  | 1  | 0  | 0  | GAIN:+3dB                            |
| 0  | 1  | 0  | 0  | 0  | 1  | 0  | 0  | GAIN:+2dB                            |
| 1  | 0  | 0  | 0  | 0  | 1  | 0  | 0  | GAIN:+1dB                            |
| 0  | 0  | 0  | 0  | 0  | 0  | 0  | 0  | GAIN:0dB                             |
| 1  | 0  | 0  | 0  | 0  | 0  | 0  | 0  | GAIN:-1dB                            |
| 0  | 1  | 0  | 0  | 0  | 0  | 0  | 0  | GAIN:-2dB                            |
| 1  | 1  | 0  | 0  | 0  | 0  | 0  | 0  | GAIN:-3dB                            |
| 0  | 0  | 1  | 0  | 0  | 0  | 0  | 0  | GAIN:-4dB                            |
| 1  | 0  | 1  | 0  | 0  | 0  | 0  | 0  | GAIN:-5dB                            |
| 0  | 1  | 1  | 0  | 0  | 0  | 0  | 0  | GAIN:-6dB                            |
| 1  | 1  | 1  | 0  | 0  | 0  | 0  | 0  | GAIN:-7dB                            |
| 0  | 0  | 0  | 1  | 0  | 0  | 0  | 0  | GAIN:-8dB                            |
| 1  | 0  | 0  | 1  | 0  | 0  | 0  | 0  | GAIN:-9dB                            |
| 0  | 1  | 0  | 1  | 0  | 0  | 0  | 0  | GAIN:-10dB                           |
| 1  | 1  | 0  | 1  | 0  | 0  | 0  | 0  | GAIN:-11dB                           |
| 0  | 0  | 1  | 1  | 0  | 0  | 0  | 0  | GAIN:-12dB                           |
| 1  | 0  | 1  | 1  | 0  | 0  | 0  | 0  | GAIN:-13dB                           |
| 0  | 1  | 1  | 1  | 0  | 0  | 0  | 0  | GAIN:-14dB                           |
| 1  | 1  | 1  | 1  | 0  | 0  | 0  | 0  | GAIN:-15dB                           |
| 0  | 0  | 0  | 0  | 1  | 0  | 0  | 0  | GAIN:-16dB                           |
| 1  | 0  | 0  | 0  | 1  | 0  | 0  | 0  | GAIN:-17dB                           |
| 0  | 1  | 0  | 0  | 1  | 0  | 0  | 0  | GAIN:-18dB                           |
| 1  | 1  | 0  | 0  | 1  | 0  | 0  | 0  | GAIN:-19dB                           |
| 0  | 0  | 1  | 0  | 1  | 0  | 0  | 0  | GAIN:-20dB                           |

## LV3328PM

DATA\_15,DATA\_16(TONE block MID control)

| D7 | D6 | D5 | D4 | D3 | D2 | D1 | D0 | DATA_15:Lch side<br>DATA_16:Rch side |
|----|----|----|----|----|----|----|----|--------------------------------------|
| 0  | 0  | 1  | 0  | 1  | 1  | 0  | 0  | GAIN:+20dB                           |
| 1  | 1  | 0  | 0  | 1  | 1  | 0  | 0  | GAIN:+19dB                           |
| 0  | 1  | 0  | 0  | 1  | 1  | 0  | 0  | GAIN:+18dB                           |
| 1  | 0  | 0  | 0  | 1  | 1  | 0  | 0  | GAIN:+17dB                           |
| 0  | 0  | 0  | 0  | 1  | 1  | 0  | 0  | GAIN:+16dB                           |
| 1  | 1  | 1  | 1  | 0  | 1  | 0  | 0  | GAIN:+15dB                           |
| 0  | 1  | 1  | 1  | 0  | 1  | 0  | 0  | GAIN:+14dB                           |
| 1  | 0  | 1  | 1  | 0  | 1  | 0  | 0  | GAIN:+13dB                           |
| 0  | 0  | 1  | 1  | 0  | 1  | 0  | 0  | GAIN:+12dB                           |
| 1  | 1  | 0  | 1  | 0  | 1  | 0  | 0  | GAIN:+11dB                           |
| 0  | 1  | 0  | 1  | 0  | 1  | 0  | 0  | GAIN:+10dB                           |
| 1  | 0  | 0  | 1  | 0  | 1  | 0  | 0  | GAIN:+9dB                            |
| 0  | 0  | 0  | 1  | 0  | 1  | 0  | 0  | GAIN:+8dB                            |
| 1  | 1  | 1  | 0  | 0  | 1  | 0  | 0  | GAIN:+7dB                            |
| 0  | 1  | 1  | 0  | 0  | 1  | 0  | 0  | GAIN:+6dB                            |
| 1  | 0  | 1  | 0  | 0  | 1  | 0  | 0  | GAIN:+5dB                            |
| 0  | 0  | 1  | 0  | 0  | 1  | 0  | 0  | GAIN:+4dB                            |
| 1  | 1  | 0  | 0  | 0  | 1  | 0  | 0  | GAIN:+3dB                            |
| 0  | 1  | 0  | 0  | 0  | 1  | 0  | 0  | GAIN:+2dB                            |
| 1  | 0  | 0  | 0  | 0  | 1  | 0  | 0  | GAIN:+1dB                            |
| 0  | 0  | 0  | 0  | 0  | 0  | 0  | 0  | GAIN:0dB                             |
| 1  | 0  | 0  | 0  | 0  | 0  | 0  | 0  | GAIN:-1dB                            |
| 0  | 1  | 0  | 0  | 0  | 0  | 0  | 0  | GAIN:-2dB                            |
| 1  | 1  | 0  | 0  | 0  | 0  | 0  | 0  | GAIN:-3dB                            |
| 0  | 0  | 1  | 0  | 0  | 0  | 0  | 0  | GAIN:-4dB                            |
| 1  | 0  | 1  | 0  | 0  | 0  | 0  | 0  | GAIN:-5dB                            |
| 0  | 1  | 1  | 0  | 0  | 0  | 0  | 0  | GAIN:-6dB                            |
| 1  | 1  | 1  | 0  | 0  | 0  | 0  | 0  | GAIN:-7dB                            |
| 0  | 0  | 0  | 1  | 0  | 0  | 0  | 0  | GAIN:-8dB                            |
| 1  | 0  | 0  | 1  | 0  | 0  | 0  | 0  | GAIN:-9dB                            |
| 0  | 1  | 0  | 1  | 0  | 0  | 0  | 0  | GAIN:-10dB                           |
| 1  | 1  | 0  | 1  | 0  | 0  | 0  | 0  | GAIN:-11dB                           |
| 0  | 0  | 1  | 1  | 0  | 0  | 0  | 0  | GAIN:-12dB                           |
| 1  | 0  | 1  | 1  | 0  | 0  | 0  | 0  | GAIN:-13dB                           |
| 0  | 1  | 1  | 1  | 0  | 0  | 0  | 0  | GAIN:-14dB                           |
| 1  | 1  | 1  | 1  | 0  | 0  | 0  | 0  | GAIN:-15dB                           |
| 0  | 0  | 0  | 0  | 1  | 0  | 0  | 0  | GAIN:-16dB                           |
| 1  | 0  | 0  | 0  | 1  | 0  | 0  | 0  | GAIN:-17dB                           |
| 0  | 1  | 0  | 0  | 1  | 0  | 0  | 0  | GAIN:-18dB                           |
| 1  | 1  | 0  | 0  | 1  | 0  | 0  | 0  | GAIN:-19dB                           |
| 0  | 0  | 1  | 0  | 1  | 0  | 0  | 0  | GAIN:-20dB                           |



# LV3328PM

DATA\_17,DATA\_18(TONE block treble control)

| D7 | D6 | D5 | D4 | D3 | D2 | D1 | D0 | DATA_17:Lch side<br>DATA_18:Rch side |
|----|----|----|----|----|----|----|----|--------------------------------------|
| 0  | 0  | 1  | 0  | 1  | 1  | 0  | 0  | GAIN:+20dB                           |
| 1  | 1  | 0  | 0  | 1  | 1  | 0  | 0  | GAIN:+19dB                           |
| 0  | 1  | 0  | 0  | 1  | 1  | 0  | 0  | GAIN:+18dB                           |
| 1  | 0  | 0  | 0  | 1  | 1  | 0  | 0  | GAIN:+17dB                           |
| 0  | 0  | 0  | 0  | 1  | 1  | 0  | 0  | GAIN:+16dB                           |
| 1  | 1  | 1  | 1  | 0  | 1  | 0  | 0  | GAIN:+15dB                           |
| 0  | 1  | 1  | 1  | 0  | 1  | 0  | 0  | GAIN:+14dB                           |
| 1  | 0  | 1  | 1  | 0  | 1  | 0  | 0  | GAIN:+13dB                           |
| 0  | 0  | 1  | 1  | 0  | 1  | 0  | 0  | GAIN:+12dB                           |
| 1  | 1  | 0  | 1  | 0  | 1  | 0  | 0  | GAIN:+11dB                           |
| 0  | 1  | 0  | 1  | 0  | 1  | 0  | 0  | GAIN:+10dB                           |
| 1  | 0  | 0  | 1  | 0  | 1  | 0  | 0  | GAIN:+9dB                            |
| 0  | 0  | 0  | 1  | 0  | 1  | 0  | 0  | GAIN:+8dB                            |
| 1  | 1  | 1  | 0  | 0  | 1  | 0  | 0  | GAIN:+7dB                            |
| 0  | 1  | 1  | 0  | 0  | 1  | 0  | 0  | GAIN:+6dB                            |
| 1  | 0  | 1  | 0  | 0  | 1  | 0  | 0  | GAIN:+5dB                            |
| 0  | 0  | 1  | 0  | 0  | 1  | 0  | 0  | GAIN:+4dB                            |
| 1  | 1  | 0  | 0  | 0  | 1  | 0  | 0  | GAIN:+3dB                            |
| 0  | 1  | 0  | 0  | 0  | 1  | 0  | 0  | GAIN:+2dB                            |
| 1  | 0  | 0  | 0  | 0  | 1  | 0  | 0  | GAIN:+1dB                            |
| 0  | 0  | 0  | 0  | 0  | 0  | 0  | 0  | GAIN:0dB                             |
| 1  | 0  | 0  | 0  | 0  | 0  | 0  | 0  | GAIN:-1dB                            |
| 0  | 1  | 0  | 0  | 0  | 0  | 0  | 0  | GAIN:-2dB                            |
| 1  | 1  | 0  | 0  | 0  | 0  | 0  | 0  | GAIN:-3dB                            |
| 0  | 0  | 1  | 0  | 0  | 0  | 0  | 0  | GAIN:-4dB                            |
| 1  | 0  | 1  | 0  | 0  | 0  | 0  | 0  | GAIN:-5dB                            |
| 0  | 1  | 1  | 0  | 0  | 0  | 0  | 0  | GAIN:-6dB                            |
| 1  | 1  | 1  | 0  | 0  | 0  | 0  | 0  | GAIN:-7dB                            |
| 0  | 0  | 0  | 1  | 0  | 0  | 0  | 0  | GAIN:-8dB                            |
| 1  | 0  | 0  | 1  | 0  | 0  | 0  | 0  | GAIN:-9dB                            |
| 0  | 1  | 0  | 1  | 0  | 0  | 0  | 0  | GAIN:-10dB                           |
| 1  | 1  | 0  | 1  | 0  | 0  | 0  | 0  | GAIN:-11dB                           |
| 0  | 0  | 1  | 1  | 0  | 0  | 0  | 0  | GAIN:-12dB                           |
| 1  | 0  | 1  | 1  | 0  | 0  | 0  | 0  | GAIN:-13dB                           |
| 0  | 1  | 1  | 1  | 0  | 0  | 0  | 0  | GAIN:-14dB                           |
| 1  | 1  | 1  | 1  | 0  | 0  | 0  | 0  | GAIN:-15dB                           |
| 0  | 0  | 0  | 0  | 1  | 0  | 0  | 0  | GAIN:-16dB                           |
| 1  | 0  | 0  | 0  | 1  | 0  | 0  | 0  | GAIN:-17dB                           |
| 0  | 1  | 0  | 0  | 1  | 0  | 0  | 0  | GAIN:-18dB                           |
| 1  | 1  | 0  | 0  | 1  | 0  | 0  | 0  | GAIN:-19dB                           |
| 0  | 0  | 1  | 0  | 1  | 0  | 0  | 0  | GAIN:-20dB                           |

## LV3328PM

DATA\_19,DATA\_20(General-purpose volume control):0dB to -54dB

| D7 | D6 | D5 | D4 | D3 | D2 | D1 | D0 | DATA_19:Lch side<br>DATA_20:Rch side |
|----|----|----|----|----|----|----|----|--------------------------------------|
| 0  | 0  | 0  | 0  | 0  | 0  | 0  | 0  | 0dB                                  |
| 1  | 0  | 0  | 0  | 0  | 0  | 0  | 0  | -1dB                                 |
| 0  | 1  | 0  | 0  | 0  | 0  | 0  | 0  | -2dB                                 |
| 1  | 1  | 0  | 0  | 0  | 0  | 0  | 0  | -3dB                                 |
| 0  | 0  | 1  | 0  | 0  | 0  | 0  | 0  | -4dB                                 |
| 1  | 0  | 1  | 0  | 0  | 0  | 0  | 0  | -5dB                                 |
| 0  | 1  | 1  | 0  | 0  | 0  | 0  | 0  | -6dB                                 |
| 1  | 1  | 1  | 0  | 0  | 0  | 0  | 0  | -7dB                                 |
| 0  | 0  | 0  | 1  | 0  | 0  | 0  | 0  | -8dB                                 |
| 1  | 0  | 0  | 1  | 0  | 0  | 0  | 0  | -9dB                                 |
| 0  | 1  | 0  | 1  | 0  | 0  | 0  | 0  | -10dB                                |
| 1  | 1  | 0  | 1  | 0  | 0  | 0  | 0  | -11dB                                |
| 0  | 0  | 1  | 1  | 0  | 0  | 0  | 0  | -12dB                                |
| 1  | 0  | 1  | 1  | 0  | 0  | 0  | 0  | -13dB                                |
| 0  | 1  | 1  | 1  | 0  | 0  | 0  | 0  | -14dB                                |
| 1  | 1  | 1  | 1  | 0  | 0  | 0  | 0  | -15dB                                |
| 0  | 0  | 0  | 0  | 1  | 0  | 0  | 0  | -16dB                                |
| 1  | 0  | 0  | 0  | 1  | 0  | 0  | 0  | -17dB                                |
| 0  | 1  | 0  | 0  | 1  | 0  | 0  | 0  | -18dB                                |
| 1  | 1  | 0  | 0  | 1  | 0  | 0  | 0  | -19dB                                |
| 0  | 0  | 1  | 0  | 1  | 0  | 0  | 0  | -20dB                                |
| 1  | 0  | 1  | 0  | 1  | 0  | 0  | 0  | -21dB                                |
| 0  | 1  | 1  | 0  | 1  | 0  | 0  | 0  | -22dB                                |
| 1  | 1  | 1  | 0  | 1  | 0  | 0  | 0  | -23dB                                |
| 0  | 0  | 0  | 1  | 1  | 0  | 0  | 0  | -24dB                                |
| 1  | 0  | 0  | 1  | 1  | 0  | 0  | 0  | -25dB                                |
| 0  | 1  | 0  | 1  | 1  | 0  | 0  | 0  | -26dB                                |
| 1  | 1  | 0  | 1  | 1  | 0  | 0  | 0  | -27dB                                |
| 0  | 0  | 1  | 1  | 1  | 0  | 0  | 0  | -28dB                                |
| 1  | 0  | 1  | 1  | 1  | 0  | 0  | 0  | -29dB                                |
| 0  | 1  | 1  | 1  | 1  | 0  | 0  | 0  | -30dB                                |
| 1  | 1  | 1  | 1  | 1  | 0  | 0  | 0  | -31dB                                |
| 0  | 0  | 0  | 0  | 0  | 1  | 0  | 0  | -32dB                                |
| 1  | 0  | 0  | 0  | 0  | 1  | 0  | 0  | -33dB                                |
| 0  | 1  | 0  | 0  | 0  | 1  | 0  | 0  | -34dB                                |
| 1  | 1  | 0  | 0  | 0  | 1  | 0  | 0  | -35dB                                |
| 0  | 0  | 1  | 0  | 0  | 1  | 0  | 0  | -36dB                                |
| 1  | 0  | 1  | 0  | 0  | 1  | 0  | 0  | -37dB                                |
| 0  | 1  | 1  | 0  | 0  | 1  | 0  | 0  | -38dB                                |
| 1  | 1  | 1  | 0  | 0  | 1  | 0  | 0  | -39dB                                |
| 0  | 0  | 0  | 1  | 0  | 1  | 0  | 0  | -40dB                                |
| 1  | 0  | 0  | 1  | 0  | 1  | 0  | 0  | -41dB                                |
| 0  | 1  | 0  | 1  | 0  | 1  | 0  | 0  | -42dB                                |
| 1  | 1  | 0  | 1  | 0  | 1  | 0  | 0  | -43dB                                |
| 0  | 0  | 1  | 1  | 0  | 1  | 0  | 0  | -44dB                                |
| 1  | 0  | 1  | 1  | 0  | 1  | 0  | 0  | -45dB                                |
| 0  | 1  | 1  | 1  | 0  | 1  | 0  | 0  | -46dB                                |
| 1  | 1  | 1  | 1  | 0  | 1  | 0  | 0  | -47dB                                |
| 0  | 0  | 0  | 0  | 1  | 1  | 0  | 0  | -48dB                                |
| 1  | 0  | 0  | 0  | 1  | 1  | 0  | 0  | -49dB                                |
| 0  | 1  | 0  | 0  | 1  | 1  | 0  | 0  | -50dB                                |
| 1  | 1  | 0  | 0  | 1  | 1  | 0  | 0  | -51dB                                |
| 0  | 0  | 1  | 0  | 1  | 1  | 0  | 0  | -52dB                                |
| 1  | 0  | 1  | 0  | 1  | 1  | 0  | 0  | -53dB                                |
| 0  | 1  | 1  | 0  | 1  | 1  | 0  | 0  | -54dB                                |

## LV3328PM

DATA\_19,DATA\_20(General-purpose volume control):-55dB to -∞

| D7 | D6 | D5 | D4 | D3 | D2 | D1 | D0 | DATA_19:Lch side<br>DATA_20:Rch side |
|----|----|----|----|----|----|----|----|--------------------------------------|
| 1  | 1  | 1  | 0  | 1  | 1  | 0  | 0  | -55dB                                |
| 0  | 0  | 0  | 1  | 1  | 1  | 0  | 0  | -56dB                                |
| 1  | 0  | 0  | 1  | 1  | 1  | 0  | 0  | -57dB                                |
| 0  | 1  | 0  | 1  | 1  | 1  | 0  | 0  | -58dB                                |
| 1  | 1  | 0  | 1  | 1  | 1  | 0  | 0  | -59dB                                |
| 0  | 0  | 1  | 1  | 1  | 1  | 0  | 0  | -60dB                                |
| 1  | 0  | 1  | 1  | 1  | 1  | 0  | 0  | -61dB                                |
| 0  | 1  | 1  | 1  | 1  | 1  | 0  | 0  | -62dB                                |
| 1  | 1  | 1  | 1  | 1  | 1  | 0  | 0  | -63dB                                |
| 0  | 0  | 0  | 0  | 0  | 0  | 1  | 0  | -64dB                                |
| 1  | 0  | 0  | 0  | 0  | 0  | 1  | 0  | -65dB                                |
| 0  | 1  | 0  | 0  | 0  | 0  | 1  | 0  | -66dB                                |
| 1  | 1  | 0  | 0  | 0  | 0  | 1  | 0  | -67dB                                |
| 0  | 0  | 1  | 0  | 0  | 0  | 1  | 0  | -68dB                                |
| 1  | 0  | 1  | 0  | 0  | 0  | 1  | 0  | -69dB                                |
| 0  | 1  | 1  | 0  | 0  | 0  | 1  | 0  | -70dB                                |
| 1  | 1  | 1  | 0  | 0  | 0  | 1  | 0  | -71dB                                |
| 0  | 0  | 0  | 1  | 0  | 0  | 1  | 0  | -72dB                                |
| 1  | 0  | 0  | 1  | 0  | 0  | 1  | 0  | -73dB                                |
| 0  | 1  | 0  | 1  | 0  | 0  | 1  | 0  | -74dB                                |
| 1  | 1  | 0  | 1  | 0  | 0  | 1  | 0  | -75dB                                |
| 0  | 0  | 1  | 1  | 0  | 0  | 1  | 0  | -76dB                                |
| 1  | 0  | 1  | 1  | 0  | 0  | 1  | 0  | -77dB                                |
| 0  | 1  | 1  | 1  | 0  | 0  | 1  | 0  | -78dB                                |
| 1  | 1  | 1  | 1  | 0  | 0  | 1  | 0  | -79dB                                |
| 0  | 0  | 0  | 0  | 1  | 0  | 1  | 0  | -∞                                   |

DATA\_21,DATA\_22,DATA\_23,DATA\_24(Fader control):0dB to -25dB

| D7 | D6 | D5 | D4 | D3 | D2 | D1 | D0 | DATA_21:LFOUT, DATA_22:LROUT<br>DATA_23:RFOUT, DATA_24:RROUT |
|----|----|----|----|----|----|----|----|--|
| 0  | 0  | 0  | 0  | 0  | 0  | 0  | 0  | 0dB  |
| 1  | 0  | 0  | 0  | 0  | 0  | 0  | 0  | -1dB   |
| 0  | 1  | 0  | 0  | 0  | 0  | 0  | 0  | -2dB   |
| 1  | 1  | 0  | 0  | 0  | 0  | 0  | 0  | -3dB   |
| 0  | 0  | 1  | 0  | 0  | 0  | 0  | 0  | -4dB   |
| 1  | 0  | 1  | 0  | 0  | 0  | 0  | 0  | -5dB   |
| 0  | 1  | 1  | 0  | 0  | 0  | 0  | 0  | -6dB   |
| 1  | 1  | 1  | 0  | 0  | 0  | 0  | 0  | -7dB   |
| 0  | 0  | 0  | 1  | 0  | 0  | 0  | 0  | -8dB   |
| 1  | 0  | 0  | 1  | 0  | 0  | 0  | 0  | -9dB   |
| 0  | 1  | 0  | 1  | 0  | 0  | 0  | 0  | -10dB  |
| 1  | 1  | 0  | 1  | 0  | 0  | 0  | 0  | -11dB  |
| 0  | 0  | 1  | 1  | 0  | 0  | 0  | 0  | -12dB  |
| 1  | 0  | 1  | 1  | 0  | 0  | 0  | 0  | -13dB  |
| 0  | 1  | 1  | 1  | 0  | 0  | 0  | 0  | -14dB  |
| 1  | 1  | 1  | 1  | 0  | 0  | 0  | 0  | -15dB  |
| 0  | 0  | 0  | 0  | 1  | 0  | 0  | 0  | -16dB  |
| 1  | 0  | 0  | 0  | 1  | 0  | 0  | 0  | -17dB  |
| 0  | 1  | 0  | 0  | 1  | 0  | 0  | 0  | -18dB  |
| 1  | 1  | 0  | 0  | 1  | 0  | 0  | 0  | -19dB  |
| 0  | 0  | 1  | 0  | 1  | 0  | 0  | 0  | -20dB  |
| 1  | 0  | 1  | 0  | 1  | 0  | 0  | 0  | -21dB  |
| 0  | 1  | 1  | 0  | 1  | 0  | 0  | 0  | -22dB  |
| 1  | 1  | 1  | 0  | 1  | 0  | 0  | 0  | -23dB  |
| 0  | 0  | 0  | 1  | 1  | 0  | 0  | 0  | -24dB  |
| 1  | 0  | 0  | 1  | 1  | 0  | 0  | 0  | -25dB  |

## LV3328PM

DATA\_21,DATA\_22,DATA\_23,DATA\_24(Fader control):-26dB to  $-\infty$

| D7 | D6 | D5 | D4 | D3 | D2 | D1 | D0 | DATA_21:LFOUT, DATA_22:LRROUT<br>DATA_23:RFOUT, DATA_24:RRROUT |
|----|----|----|----|----|----|----|----|--|
| 0  | 1  | 0  | 1  | 1  | 0  | 0  | 0  | -26dB  |
| 1  | 1  | 0  | 1  | 1  | 0  | 0  | 0  | -27dB  |
| 0  | 0  | 1  | 1  | 1  | 0  | 0  | 0  | -28dB  |
| 1  | 0  | 1  | 1  | 1  | 0  | 0  | 0  | -29dB  |
| 0  | 1  | 1  | 1  | 1  | 0  | 0  | 0  | -30dB  |
| 1  | 1  | 1  | 1  | 1  | 0  | 0  | 0  | -31dB  |
| 0  | 0  | 0  | 0  | 0  | 1  | 0  | 0  | -32dB  |
| 1  | 0  | 0  | 0  | 0  | 1  | 0  | 0  | -33dB  |
| 0  | 1  | 0  | 0  | 0  | 1  | 0  | 0  | -34dB  |
| 1  | 1  | 0  | 0  | 0  | 1  | 0  | 0  | -35dB  |
| 0  | 0  | 1  | 0  | 0  | 1  | 0  | 0  | -36dB  |
| 1  | 0  | 1  | 0  | 0  | 1  | 0  | 0  | -37dB  |
| 0  | 1  | 1  | 0  | 0  | 1  | 0  | 0  | -38dB  |
| 1  | 1  | 1  | 0  | 0  | 1  | 0  | 0  | -39dB  |
| 0  | 0  | 0  | 1  | 0  | 1  | 0  | 0  | -40dB  |
| 1  | 0  | 0  | 1  | 0  | 1  | 0  | 0  | -41dB  |
| 0  | 1  | 0  | 1  | 0  | 1  | 0  | 0  | -42dB  |
| 1  | 1  | 0  | 1  | 0  | 1  | 0  | 0  | -43dB  |
| 0  | 0  | 1  | 1  | 0  | 1  | 0  | 0  | -44dB  |
| 1  | 0  | 1  | 1  | 0  | 1  | 0  | 0  | -45dB  |
| 0  | 1  | 1  | 1  | 0  | 1  | 0  | 0  | -46dB  |
| 1  | 1  | 1  | 1  | 0  | 1  | 0  | 0  | -47dB  |
| 0  | 0  | 0  | 0  | 1  | 1  | 0  | 0  | -48dB  |
| 1  | 0  | 0  | 0  | 1  | 1  | 0  | 0  | -49dB  |
| 0  | 1  | 0  | 0  | 1  | 1  | 0  | 0  | -50dB  |
| 1  | 1  | 0  | 0  | 1  | 1  | 0  | 0  | -51dB  |
| 0  | 0  | 1  | 0  | 1  | 1  | 0  | 0  | -52dB  |
| 1  | 0  | 1  | 0  | 1  | 1  | 0  | 0  | -53dB  |
| 0  | 1  | 1  | 0  | 1  | 1  | 0  | 0  | -54dB  |
| 1  | 1  | 1  | 0  | 1  | 1  | 0  | 0  | -55dB  |
| 0  | 0  | 0  | 1  | 1  | 1  | 0  | 0  | -56dB  |
| 1  | 0  | 0  | 1  | 1  | 1  | 0  | 0  | -57dB  |
| 0  | 1  | 0  | 1  | 1  | 1  | 0  | 0  | -58dB  |
| 1  | 1  | 0  | 1  | 1  | 1  | 0  | 0  | -59dB  |
| 0  | 0  | 1  | 1  | 1  | 1  | 0  | 0  | -60dB  |
| 1  | 0  | 1  | 1  | 1  | 1  | 0  | 0  | -61dB  |
| 0  | 1  | 1  | 1  | 1  | 1  | 0  | 0  | -62dB  |
| 1  | 1  | 1  | 1  | 1  | 1  | 0  | 0  | -63dB  |
| 0  | 0  | 0  | 0  | 0  | 0  | 1  | 0  | -64dB  |
| 1  | 0  | 0  | 0  | 0  | 0  | 1  | 0  | -65dB  |
| 0  | 1  | 0  | 0  | 0  | 0  | 1  | 0  | -66dB  |
| 1  | 1  | 0  | 0  | 0  | 0  | 1  | 0  | -67dB  |
| 0  | 0  | 1  | 0  | 0  | 0  | 1  | 0  | -68dB  |
| 1  | 0  | 1  | 0  | 0  | 0  | 1  | 0  | -69dB  |
| 0  | 1  | 1  | 0  | 0  | 0  | 1  | 0  | -70dB  |
| 1  | 1  | 1  | 0  | 0  | 0  | 1  | 0  | -71dB  |
| 0  | 0  | 0  | 1  | 0  | 0  | 1  | 0  | -72dB  |
| 1  | 0  | 0  | 1  | 0  | 0  | 1  | 0  | -73dB  |
| 0  | 1  | 0  | 1  | 0  | 0  | 1  | 0  | -74dB  |
| 1  | 1  | 0  | 1  | 0  | 0  | 1  | 0  | -75dB  |
| 0  | 0  | 1  | 1  | 0  | 0  | 1  | 0  | -76dB  |
| 1  | 0  | 1  | 1  | 0  | 0  | 1  | 0  | -77dB  |
| 0  | 1  | 1  | 1  | 0  | 0  | 1  | 0  | -78dB  |
| 1  | 1  | 1  | 1  | 0  | 0  | 1  | 0  | -79dB  |
| 0  | 0  | 0  | 0  | 1  | 0  | 1  | 0  | $-\infty$  |

## LV3328PM

**DATA\_25 (General-purpose input switch, Mixing, Output level detection, FADER\_Rear input switch)**

| D7 | D6 | D5 | D4 | D3 | D2 | D1 | D0 | DATA_25  |
|----|----|----|----|----|----|----|----|--|
| 0  | *  | *  | *  | *  | *  | *  | *  | General-purpose input mode switch:stereo mode  |
| 1  | *  | *  | *  | *  | *  | *  | *  | General-purpose input mode switch:MONO         |
|    |    |    |    |    |    |    |    |  |
| *  | 0  | 0  | *  | *  | *  | *  | *  | Lch/Rch mixing : OFF                           |
| *  | 1  | 0  | *  | *  | *  | *  | *  | Lch mixing : ON, Rch mixing : OFF              |
| *  | 0  | 1  | *  | *  | *  | *  | *  | Lch mixing : OFF, Rch mixing : ON              |
| *  | 1  | 1  | *  | *  | *  | *  | *  | Lch/Rch mixing : ON                            |
|    |    |    |    |    |    |    |    |  |
| *  | *  | *  | 0  | 0  | *  | *  | *  | General-purpose input select:EXLIN/EXRIN       |
| *  | *  | *  | 1  | 0  | *  | *  | *  | General-purpose input select:EXRIN only select |
| *  | *  | *  | 0  | 1  | *  | *  | *  | General-purpose input select:EXLIN only select |
|    |    |    |    |    |    |    |    |  |
| *  | *  | *  | *  | *  | 0  | *  | *  | Output level detection : OFF                   |
| *  | *  | *  | *  | *  | 1  | *  | *  | Output level detection : ON                    |
|    |    |    |    |    |    |    |    |  |
| *  | *  | *  | *  | *  | *  | 0  | 0  | FADER_REAR_L/Rch input1 select                 |
| *  | *  | *  | *  | *  | *  | 1  | 0  | FADER_REAR_Lch:input2, Rch:input1 select       |
| *  | *  | *  | *  | *  | *  | 0  | 1  | FADER_REAR_Lch:input1, Rch:input2 select       |
| *  | *  | *  | *  | *  | *  | 1  | 1  | FADER_REAR_L/Rch input2 select                 |

**DATA\_26 (Loudness control, TONE pass switch, EXTOUT output signal select)**

| D7 | D6 | D5 | D4 | D3 | D2 | D1 | D0 | DATA_26  |
|----|----|----|----|----|----|----|----|--|
| 0  | 0  | *  | *  | *  | *  | 0  | 0  | Loudness:OFF   |
| 1  | 0  | *  | *  | *  | *  | 0  | 0  | Loudness:ON  |
|    |    |    |    |    |    |    |    |  |
| *  | *  | 0  | 0  | *  | *  | 0  | 0  | The tone block pass operation is not done.               |
| *  | *  | 1  | 0  | *  | *  | 0  | 0  | Tone block pass operation execution only of Lch side.    |
| *  | *  | 0  | 1  | *  | *  | 0  | 0  | Tone block pass operation execution only of Rch side.    |
| *  | *  | 1  | 1  | *  | *  | 0  | 0  | Tone block pass operation execution of Lch and Rch side. |
|    |    |    |    |    |    |    |    |  |
| *  | *  | *  | *  | 0  | *  | 0  | 0  | EXTOUT outputs signal Lch: EXTIN                         |
| *  | *  | *  | *  | 1  | *  | 0  | 0  | EXTOUT outputs signal Lch: input 2                       |
| *  | *  | *  | *  | *  | 0  | 0  | 0  | EXTOUT outputs signal Rch: EXTIN                         |
| *  | *  | *  | *  | *  | 1  | 0  | 0  | EXTOUT outputs signal Rch: input 2                       |

**DATA\_27 (Zero cross control)**

| D7 | D6 | D5 | D4 | D3 | D2 | D1 | D0 | DATA_27                                 |
|----|----|----|----|----|----|----|----|---|
| 0  | *  | *  | *  | *  | 0  | 0  | 0  | Zerocross control:OFF                   |
| 1  | *  | *  | *  | *  | 0  | 0  | 0  | Zerocross control:ON                    |
|    |    |    |    |    |    |    |    |   |
| *  | 0  | 0  | *  | *  | 0  | 0  | 0  | Zerocross detection:Input GAIN(LSELO)   |
| *  | 1  | 0  | *  | *  | 0  | 0  | 0  | Zerocross detection:Main volume(LVROUT) |
| *  | 0  | 1  | *  | *  | 0  | 0  | 0  | Zerocross detection:Fader(LFOUT)        |
| *  | 1  | 1  | *  | *  | 0  | 0  | 0  | Zerocross detection:Fader(LROUT)        |
|    |    |    |    |    |    |    |    |   |
| *  | *  | *  | 0  | 0  | 0  | 0  | 0  | Zerocross detection:Input GAIN(RSELO)   |
| *  | *  | *  | 1  | 0  | 0  | 0  | 0  | Zerocross detection:Main volume(RVROUT) |
| *  | *  | *  | 0  | 1  | 0  | 0  | 0  | Zerocross detection:Fader(RFOUT)        |
| *  | *  | *  | 1  | 1  | 0  | 0  | 0  | Zerocross detection:Fader(RROUT)        |

## LV3328PM

DATA\_28 (Soft\_step/Soft\_mute control)

| D7 | D6 | D5 | D4 | D3 | D2 | D1 | D0 | DATA_28             |
|----|----|----|----|----|----|----|----|---------------------|
| 0  | *  | *  | *  | *  | *  | *  | *  | Soft_mute mode:OFF  |
| 1  | *  | *  | *  | *  | *  | *  | *  | Soft_mute mode:ON   |
|    |    |    |    |    |    |    |    |                     |
| *  | 0  | *  | *  | *  | *  | *  | *  | Mute select:OFF     |
| *  | 1  | *  | *  | *  | *  | *  | *  | Mute select:ON      |
|    |    |    |    |    |    |    |    |                     |
| *  | *  | 0  | *  | *  | *  | *  | *  | Soft_step:OFF       |
| *  | *  | 1  | *  | *  | *  | *  | *  | Soft_step:ON        |
|    |    |    |    |    |    |    |    |                     |
| *  | *  | *  | 0  | *  | *  | *  | *  | Usually mode        |
| *  | *  | *  | 1  | *  | *  | *  | *  | TEST mode           |
|    |    |    |    |    |    |    |    |                     |
| *  | *  | *  | *  | 0  | 0  | *  | *  | Mute time:0.64ms    |
| *  | *  | *  | *  | 1  | 0  | *  | *  | Mute time:5.12ms    |
| *  | *  | *  | *  | 0  | 1  | *  | *  | Mute time:40ms      |
| *  | *  | *  | *  | 1  | 1  | *  | *  | Mute time:80ms      |
|    |    |    |    |    |    |    |    |                     |
| *  | *  | *  | *  | *  | *  | 0  | 0  | Soft_step time:10ms |
| *  | *  | *  | *  | *  | *  | 1  | 0  | Soft_step time:20ms |
| *  | *  | *  | *  | *  | *  | 0  | 1  | Soft_step time:40ms |
| *  | *  | *  | *  | *  | *  | 1  | 1  | Soft_step time:80ms |

DATA\_29 (TEST control)

| D7 | D6 | D5 | D4 | D3 | D2 | D1 | D0 | DATA_29                          |
|----|----|----|----|----|----|----|----|----------------------------------|
| 0  | 0  | 0  | 0  | 0  | 0  | 0  | 0  | Setting at operation use usually |

## Usage Cautions

### (1) Request to send the initial data at power ON

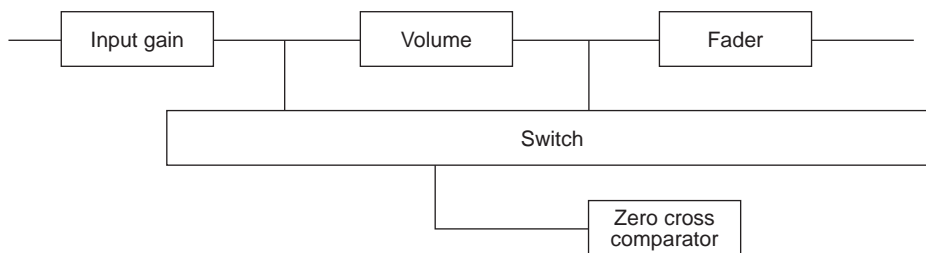
- Though the circuit initializing the IC inside at power ON is incorporated, be sure to send data to all sub-address as the initial data at power ON.
- At power ON, muting or other measures must be taken externally till the data is set.

#### Reference data

| Parameter                                   | Symbol | Conditions              | Min | Typ | Max | Unit |
|---|--------|-------------------------|-----|-----|-----|------|
| VDD power rise time                         | Trise  | 0V → 5V power rise time | 30  | -   | -   | μs   |
| VDD voltage when power ON reset is canceled | Vpor   |                         | -   | 5   | -   | V    |

### (2) Description of zero cross switching circuit operation

The LV3328PM have a function to switch zero cross comparator signal detection locations, enabling the selection of the optimum detection location for blocks whose data is to be updated. Basically, the switching noise can be minimized by inputting the signal immediately following the block whose data is to be updated to the zero cross comparator, so it is necessary to switch the detection location every time.



LV3328PM zero cross detection circuit

### (3) Zero Cross Switching Control method

The zero cross switching control method consists of setting the zero cross control bits to the zero cross detection mode, and specifying the detection blocks before transmitting the data.

The I<sup>2</sup>C data is held at rise of the ACK clock. For zero-cross operation, this operation begins at rise of ACK clock of the first data.

On detecting zero cross, all of holding data are switched. (Without zero cross, data is switched at rise of ACK clock.)

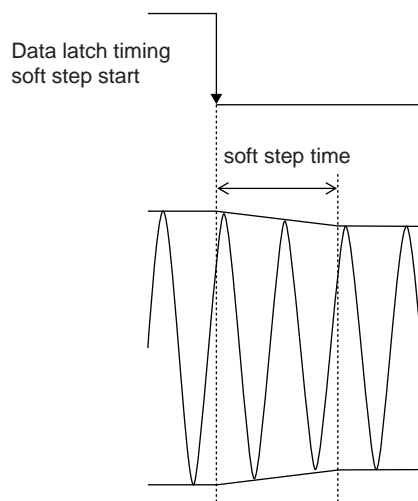
### (4) Zero cross timer setting

If the input signal becomes lower than the zero cross comparator detection sensitivity, or if only low-frequency signals are input, zero cross detection continues to be impossible, and data is not latched during this time. The zero cross timer can set a time for forcible latch during such a status when zero cross detection is not possible.

### (5) Soft step operation

The LV3328PM have a soft step function at 3 band equalizer control block for low switching noise.

The Soft step time can be selected by send to I<sup>2</sup>C control. (10ms, 20ms, 40ms, 80ms)

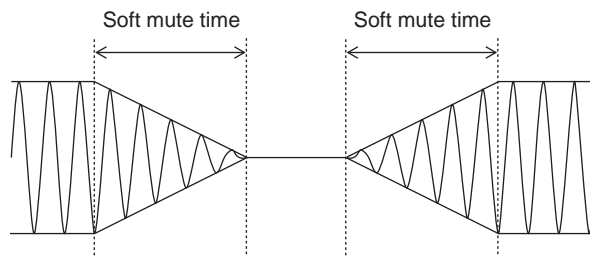


## (6) Soft mute operation

The LV3328PM have a soft mute function for low switching noise, when this mute function set operation. (mute/unmute function select)

The Soft mute time can be selected by send to I<sup>2</sup>C control. (0.6ms, 5ms, 40ms, 80ms)

A soft mute function can be implemented by set to soft mute on. (Set to mute on/off)



## (7) Cautions for input switching (method to reduce the switching noise at a time of channel setting)

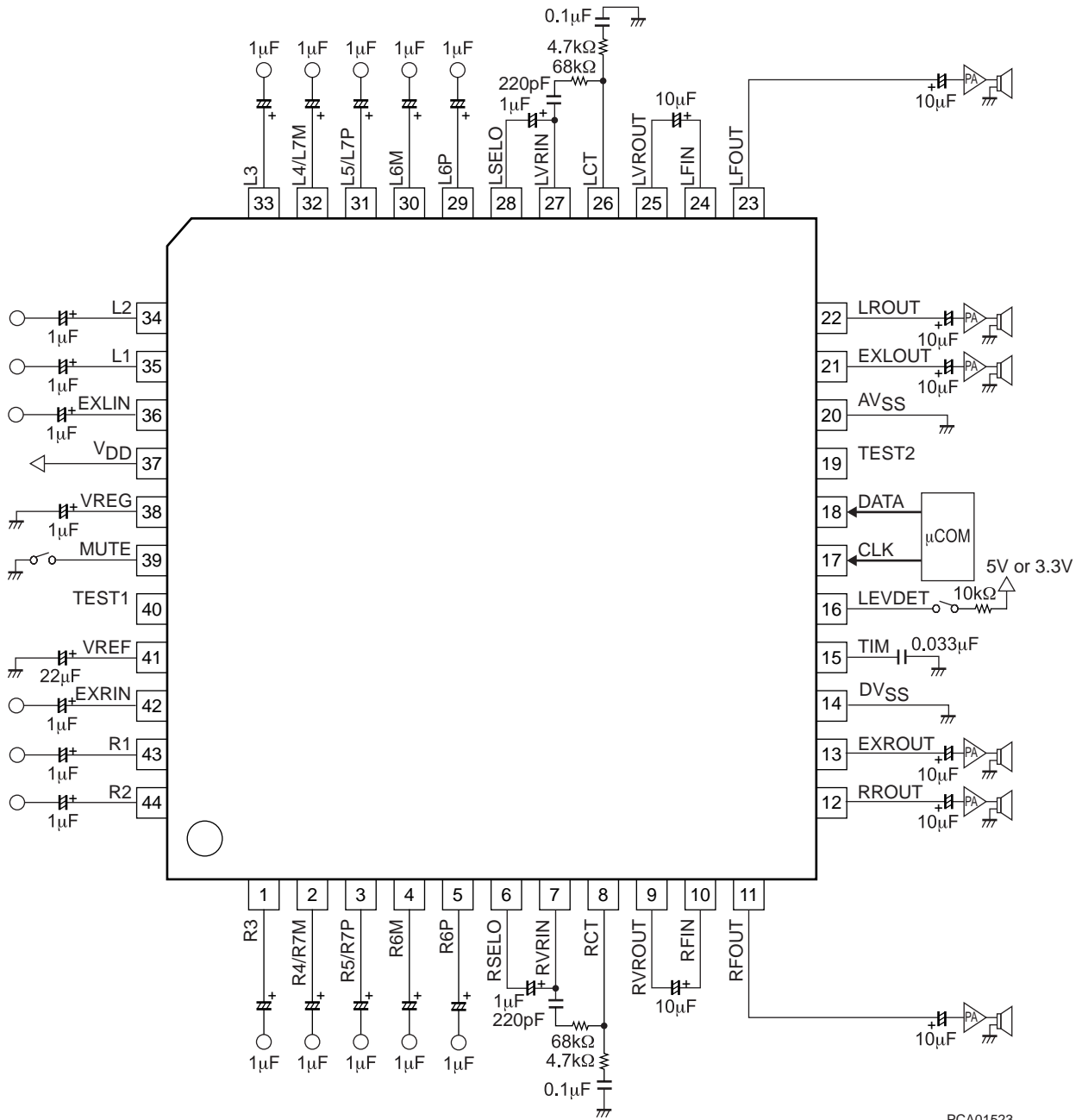
When switching the input channel, carry out soft muting beforehand. After completion of muting, carry out channel switching. Then, cancel muting (canceling through soft muting ), and complete input switching (recommendation by SANYO).

Note also that, regardless of whether each input channel is set to ON or OFF, the external input voltage is less than the maximum input voltage (VCL) in all input channels.



# LV3328PM

## Application Circuit Example



PCA01523

- SANYO Semiconductor Co.,Ltd. assumes no responsibility for equipment failures that result from using products at values that exceed, even momentarily, rated values (such as maximum ratings, operating condition ranges, or other parameters) listed in products specifications of any and all SANYO Semiconductor Co.,Ltd. products described or contained herein.
- SANYO Semiconductor Co.,Ltd. strives to supply high-quality high-reliability products, however, any and all semiconductor products fail or malfunction with some probability. It is possible that these probabilistic failures or malfunction could give rise to accidents or events that could endanger human lives, trouble that could give rise to smoke or fire, or accidents that could cause damage to other property. When designing equipment, adopt safety measures so that these kinds of accidents or events cannot occur. Such measures include but are not limited to protective circuits and error prevention circuits for safe design, redundant design, and structural design.
- In the event that any or all SANYO Semiconductor Co.,Ltd. products described or contained herein are controlled under any of applicable local export control laws and regulations, such products may require the export license from the authorities concerned in accordance with the above law.
- No part of this publication may be reproduced or transmitted in any form or by any means, electronic or mechanical, including photocopying and recording, or any information storage or retrieval system, or otherwise, without the prior written consent of SANYO Semiconductor Co.,Ltd.
- Any and all information described or contained herein are subject to change without notice due to product/technology improvement, etc. When designing equipment, refer to the "Delivery Specification" for the SANYO Semiconductor Co.,Ltd. product that you intend to use.
- Information (including circuit diagrams and circuit parameters) herein is for example only; it is not guaranteed for volume production.
- Upon using the technical information or products described herein, neither warranty nor license shall be granted with regard to intellectual property rights or any other rights of SANYO Semiconductor Co.,Ltd. or any third party. SANYO Semiconductor Co.,Ltd. shall not be liable for any claim or suits with regard to a third party's intellectual property rights which has resulted from the use of the technical information and products mentioned above.

This catalog provides information as of April, 2010. Specifications and information herein are subject to change without notice.