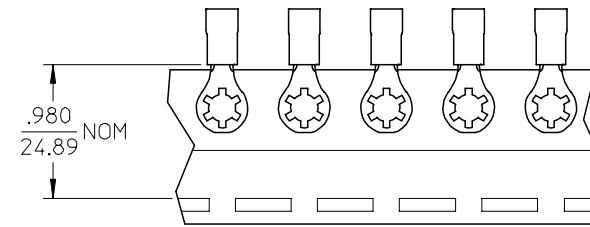
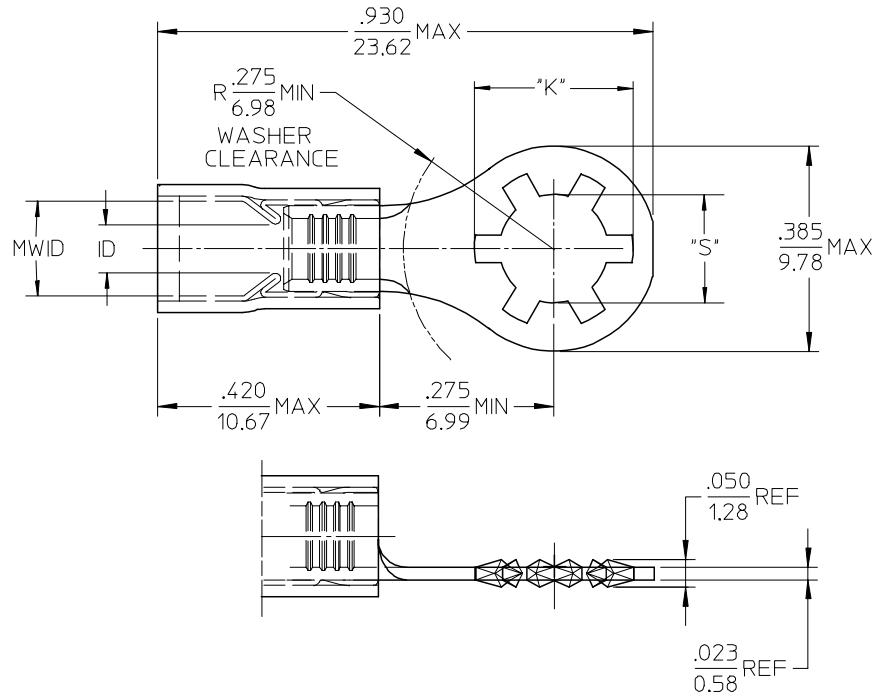


MATERIAL NO.	ENG. NO.	MATERIAL NUMBER TAPE MOUNTED	ENG. NO. TAPE MOUNTED	STUD SIZE	"S" ±.005/.127	"K" REF DIA	WIRE RANGE AWG / MM ²	INSULATION COLOR	I.D. MIN	MWID
190770001	SRA-829-06	190770002	SRA-829-06T	6	.146 (3.71)	.236 (5.99)	22-18/.25-1.3	RED	.062/1.57	.138/3.51
190770005	SRA-829-08	190770006	SRA-829-08T	8	.173 (4.39)	.263 (6.68)				
190770007	SRA-829-10	190770008	SRA-829-10T	10	.198 (5.03)	.288 (7.32)				
190770015	SRB-829-06	190770016	SRB-829-06T	6	.146 (3.71)	.236 (5.99)	16-14/1.0-2.6	BLUE	.086/2.18	.169/4.29
190770017	SRB-829-08	190770018	SRB-829-08T	8	.173 (4.39)	.263 (6.68)				
190770019	SRB-829-10	190770020	SRB-829-10T	10	.198 (5.03)	.288 (7.32)				



SALES DRAWING

NOTES:

- MATERIAL: BRASS.
PLATING: ELECTROPLATE TIN.
- FERRULE: BRASS ELECTROPLATE TIN.
PLATING: ELECTROPLATE TIN.
- INSULATION: NYLON.
- MWID=MAXIMUM WIRE INSULATION DIA.
- ALL DIMENSIONS IN INCHES (MM).

EC NO: ETC2004-0126 DRWN:DMYRICK 2004/01/06 CHKD:SBEITZEL 2004/01/06 APPR:RDEROSS 2004/01/07	QUALITY SYMBOLS ▽ = 0 ▽ = 0	GENERAL TOLERANCES (UNLESS SPECIFIED)		SCALE NTS	DESIGN UNITS INCH	THIRD ANGLE PROJECTION	REVISE ON CAD ONLY		
		4 PLACES ± --- ± --- 3 PLACES ± --- ± .005 2 PLACES ± 0.13 ± .01 1 PLACE ± 0.25 ± ---	DIMENSION STYLE IN/MM	TITLE AVIKRIMP STAR RING TONGUE TERMINALS					
		DRAFT WHERE APPLICABLE MUST REMAIN WITHIN DIMENSIONS		DRAWN BY DMYRICK	DATE 03/12/22	MOLEX INCORPORATED			
				CHECKED BY SBEITZEL	DATE 03/12/22	MATERIAL NO. SEE CHART	DOCUMENT NO. SD-19077-001	SHEET NO. 1 OF 1	