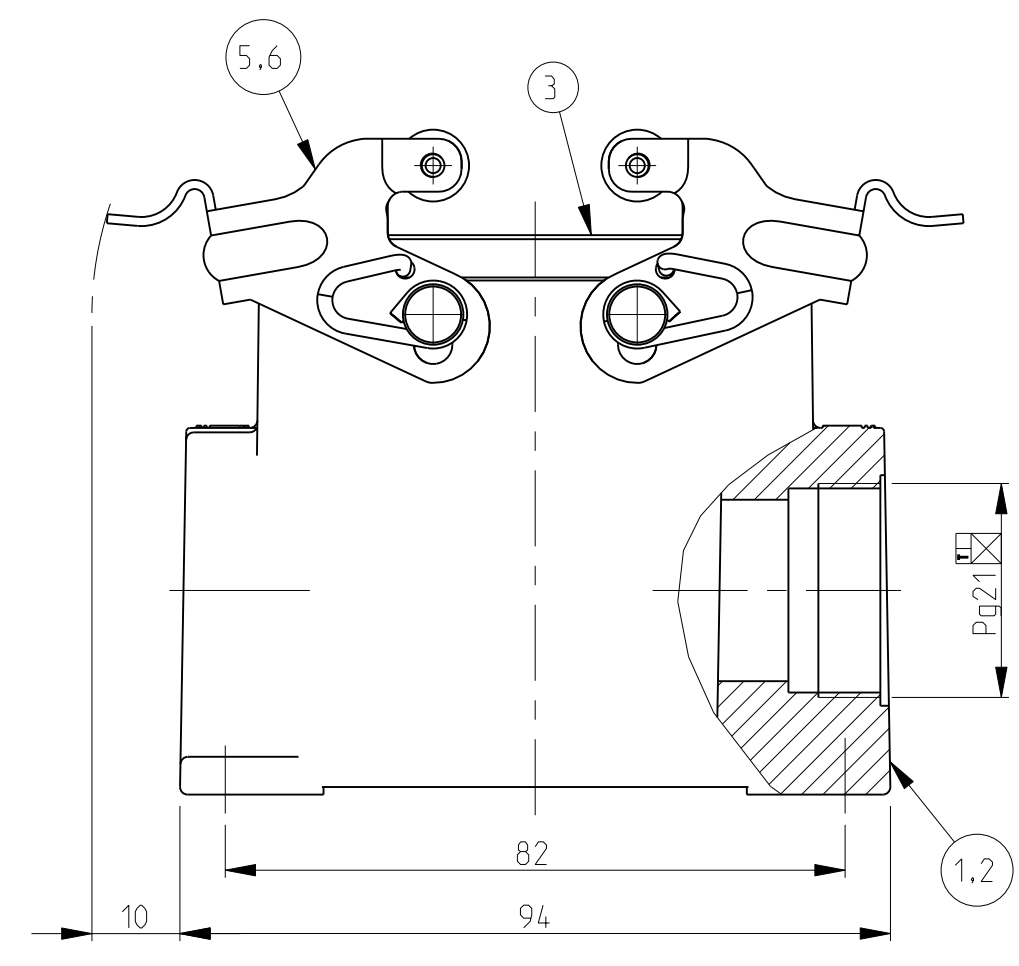
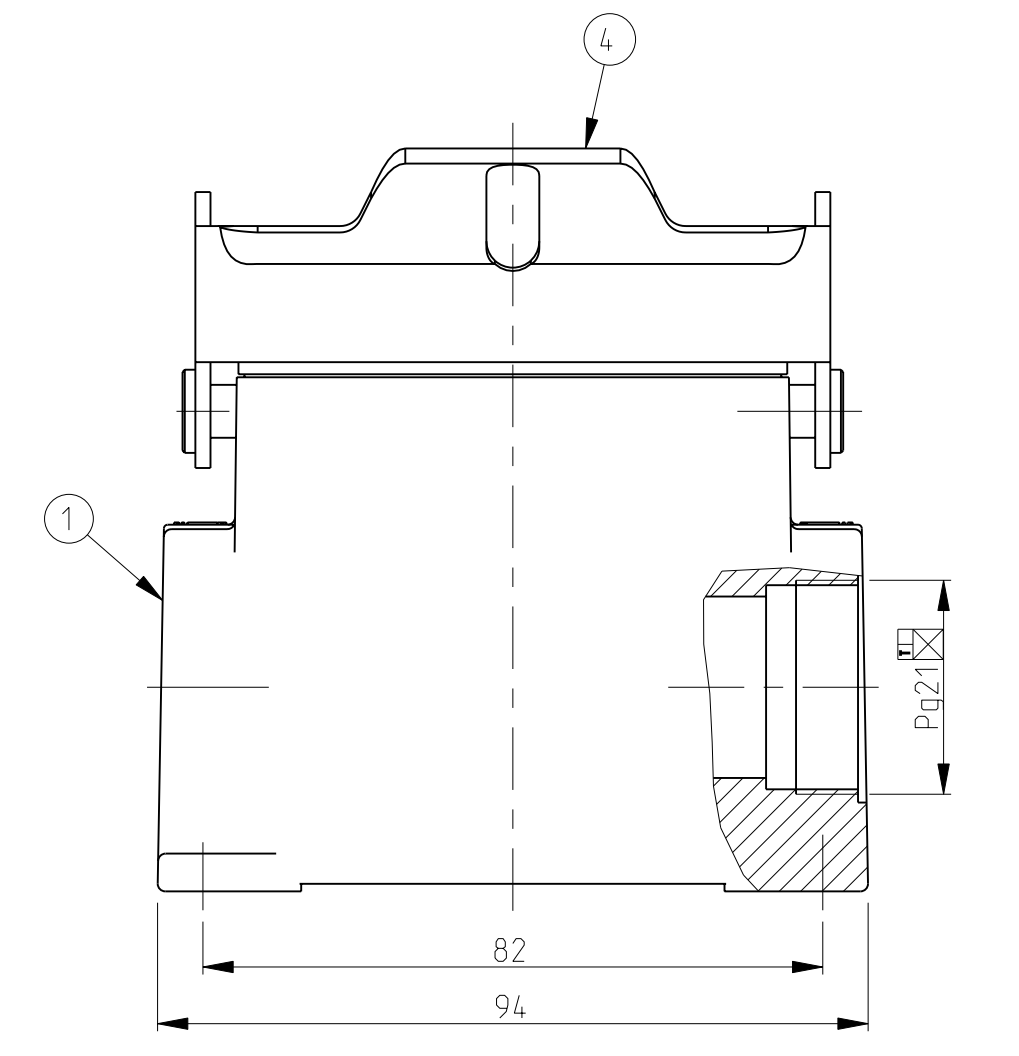
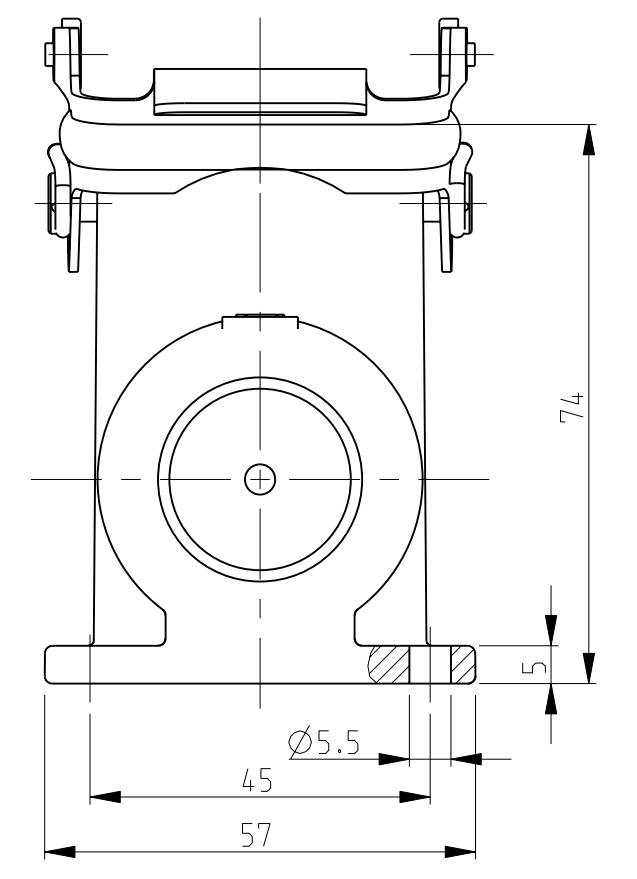


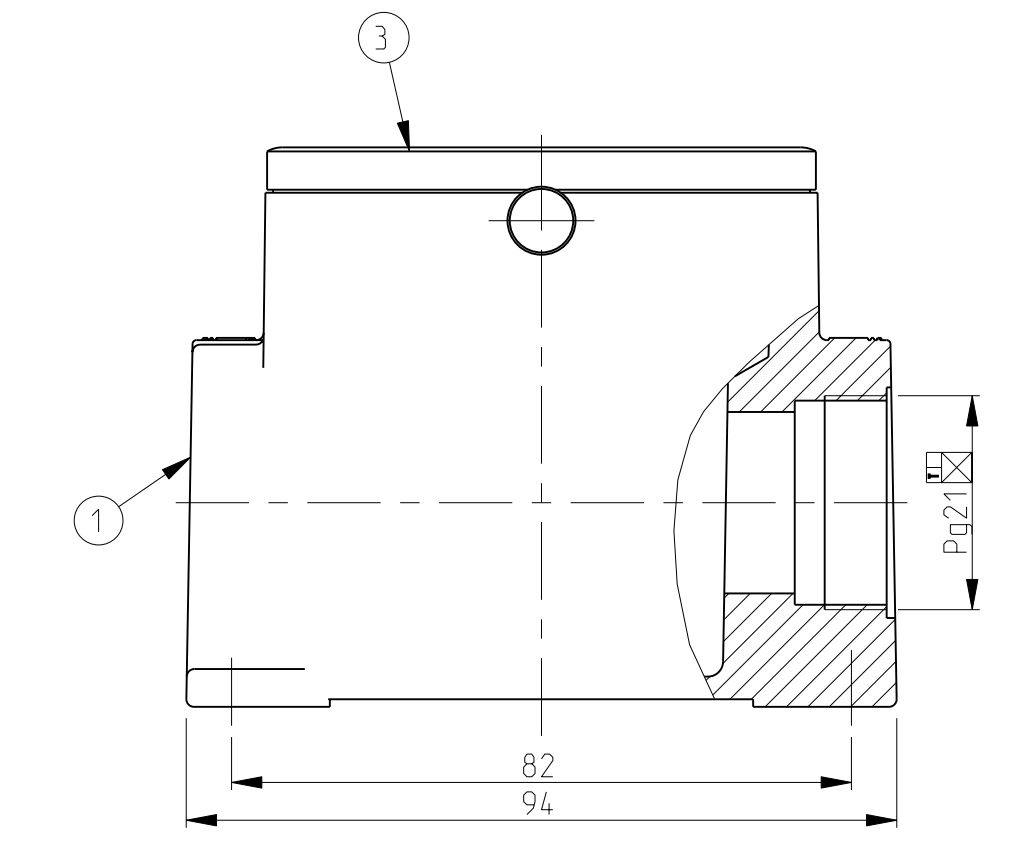
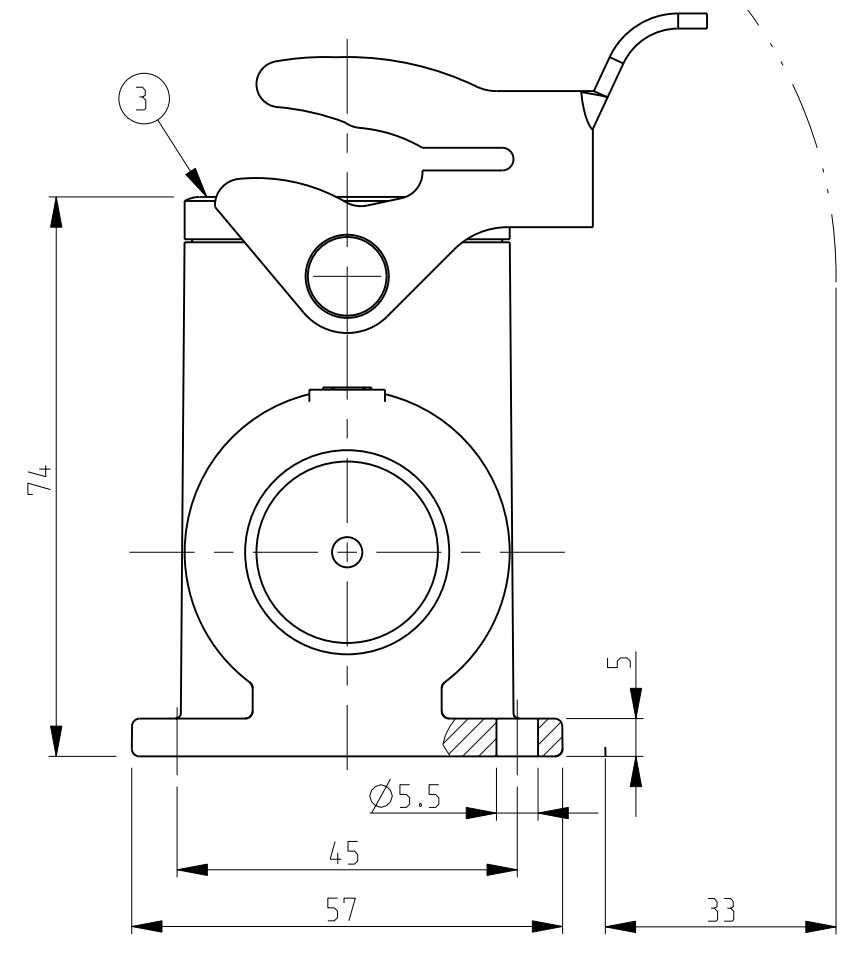
LOC	DIST	REVISIONS			
P	LTR	DESCRIPTION	DATE	DWN	APVD
A1		Released as per ECR-08-015813	23.JUN.2008	SP	TS



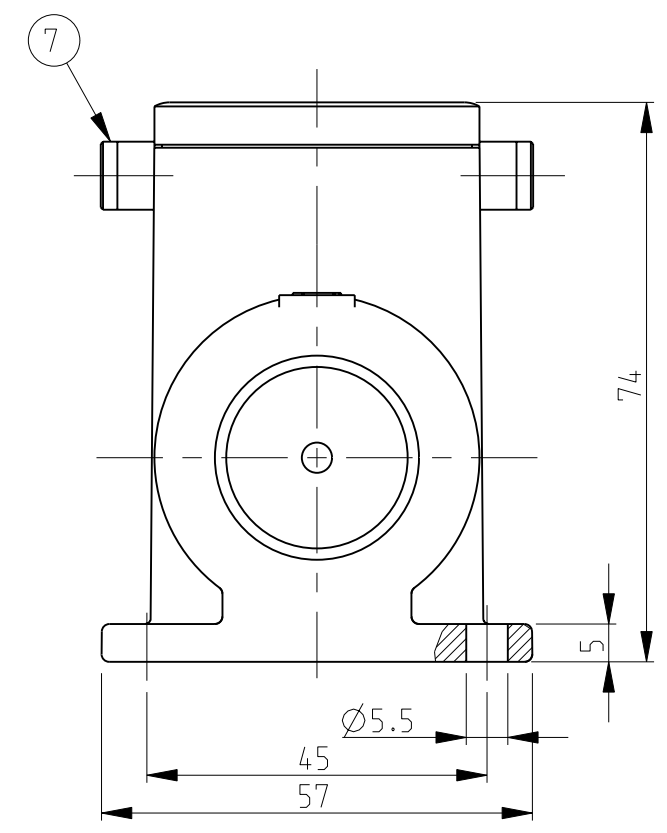
PN 1-1 & 2-1



PN 1-2

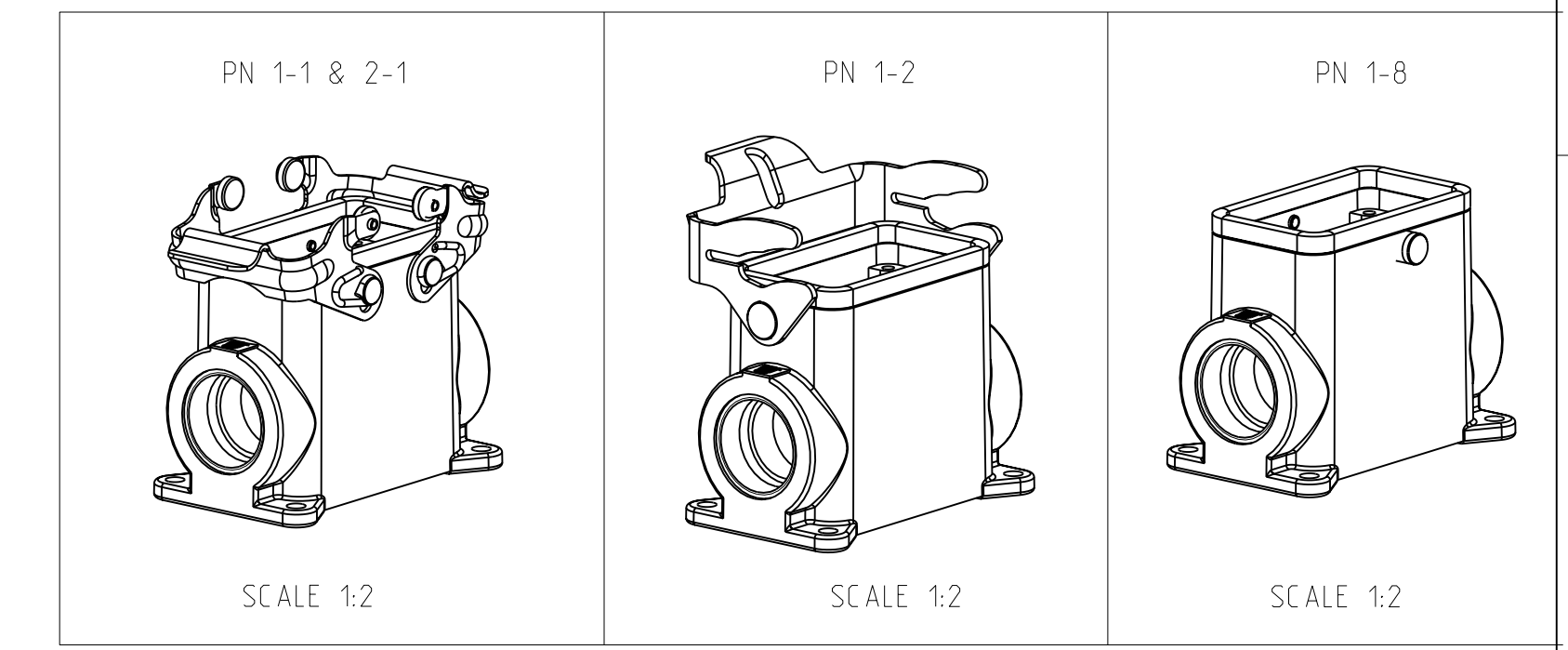


PN 1-8



NOTES.

- Material:Housing:Aluminium Diecasting Alloy
Seals:Neoprene
- Surface:Varnish grey
-Aluminium Oxide +Varnish Black
- Varnish on the inside not necessary
- Packaging
Quantity 5 Pieces in a box



QTY	DESCRIPTION	MATERIAL	SURFACE	COLOR	ITEM NO	REMARKS
2	ZB-Clip bolt	Steel	Zinc plated	Blue	7	
2	VS-Clip positioner	Stainless steel	Blank	Blue	6	
2	VS-Clip positioner	Steel	Zinc plated	Blue	5	
1	LB-Side clip	Steel	Zinc plated	Blue	4	
1	Profile seal	Neoprene		Black	3	
1	Surface mounted housing side entry HD-K	Aluminium	Aluminium oxide	Black	2	
1	Surface mounted housing side entry HD-K	Aluminium		Grey	1	

ORDERING TEXT
 HD .24 .SG-VS.1.21.Z
 HD-K.24 .SG-VS.1.21.Z
 HD .24 .SG-LB.1.21.Z
 HD-Z.24 .SG-ZVGR.1.21.Z

DIMENSIONS: mm		TOLERANCES UNLESS OTHERWISE SPECIFIED: ±0.10 mm		DWN: Schneider 21.08.03	Tyco Electronics,AMP.GmbH 0-53819,Neunkirchen,Germany
MATERIAL		FINISH		CHK: Schweiger 21.08.03	
PRODUCT SPEC		APPLICATION SPEC		NAME: Surface mounted housing side entry HD.24.SG With 1x21.Z	
WEIGHT		SCALE: 1:1		SHEET 1 OF 1	
CUSTOMER DRAWING		REV: A2		DRAWING NO: A1 00779 C=1102507	