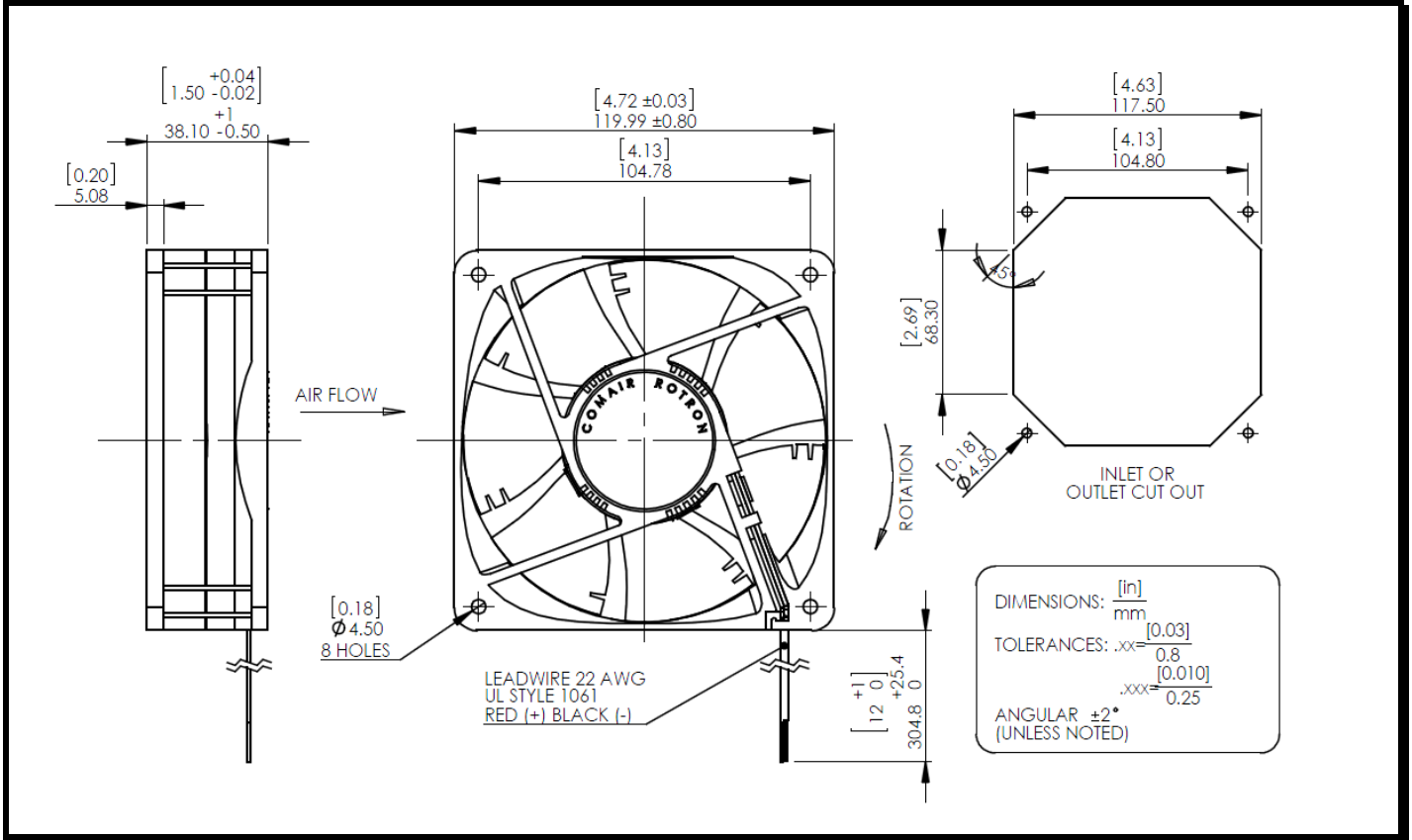


SPECIFICATIONS



Part Number: 19032526A SPEC Number: 26016815A
 Model Number: MS24B3 April 20, 2012

Mechanical Drawing:



Motor:

Nominal Voltage = 24 vdc
 Operating Voltage Range = 12 - 28 vdc
 Nominal Running Current = 0.290 amps
 Max. Locked Rotor Current = 0.730 amps
 Running Power = 7.0 watts
 Average Speed = 2900 RPM
 Bearings = Ball
 Air Flow = 110 CFM
 Acoustics = 49.1 dBA

Construction:

Venturi: Plastic, Black, UL 94V-0.
 Propeller: Plastic, Black, UL 94V-0

Life Expectancy:

This fan is designed for continuous duty life of 85,000 hours at 40°C.

Additional Features:

Brushless DC Motor
 Polarity Protected
 Automatic Reset Capability
 Locked Rotor Protection
 Operating Temperature: -10°C to 70°C
 Storage Temperature: -40°C to 85°C

Termination:

12" Lead wires, 22 AWG, UL 1061
 Red = Power (+)
 Black = Ground (-)

Agency Approvals:

UL, CUL