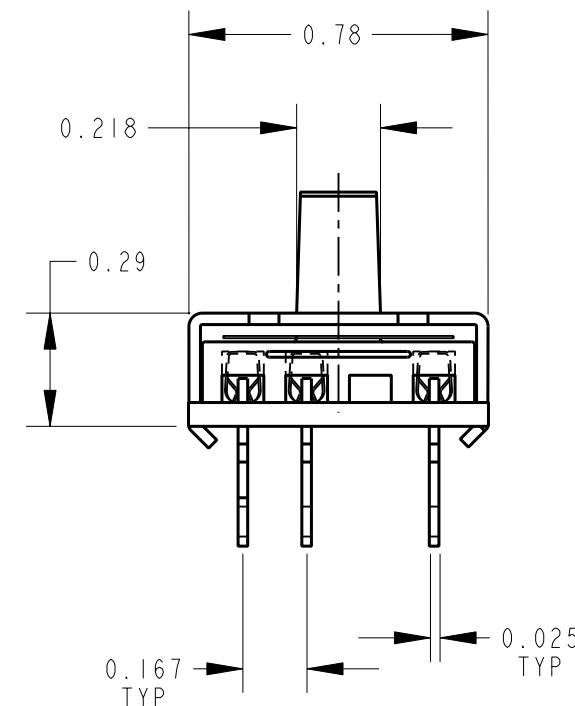
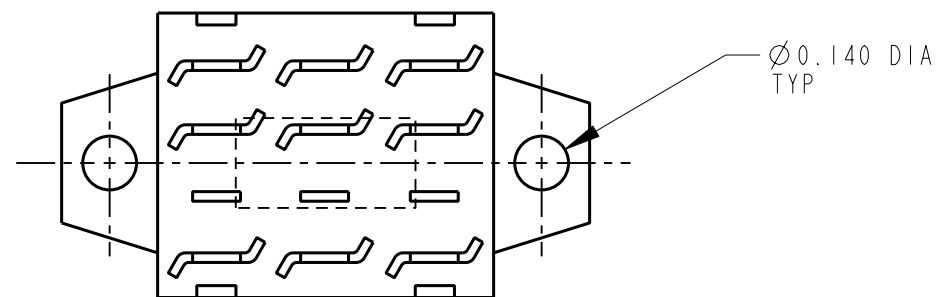
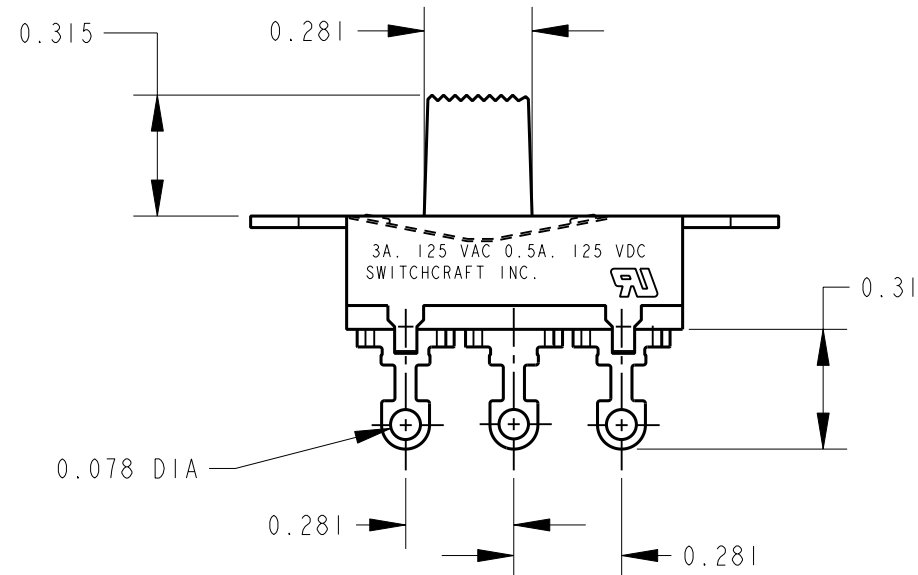
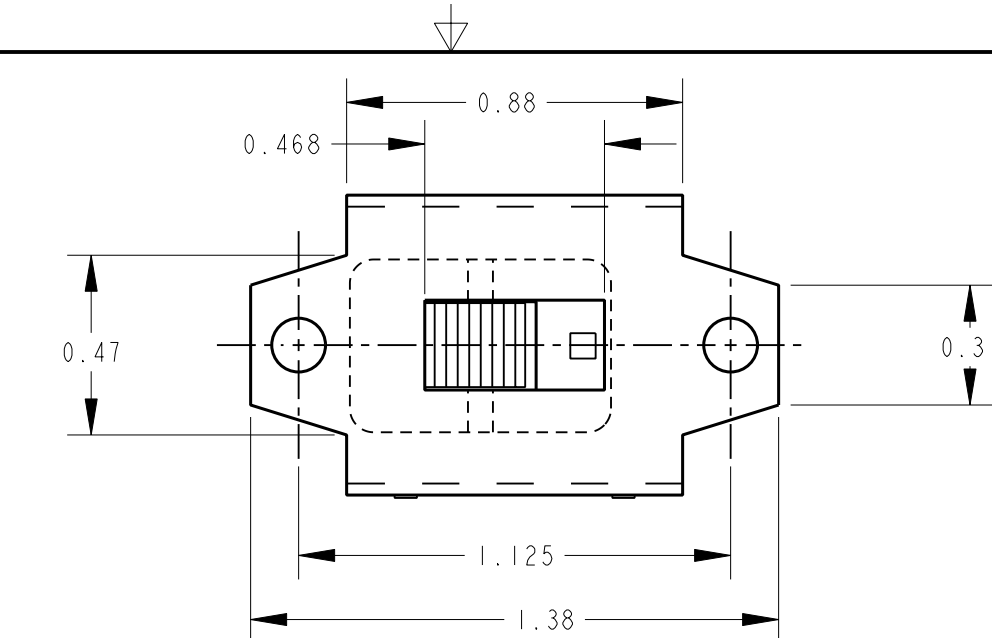


SCHEMATIC
3 POLE DOUBLE THROW



NOTE:

1. ALL DIMENSIONS ARE FOR REFERENCE UNLESS OTHERWISE SPECIFIED.
2. MATERIALS:
HOUSING - STEEL, ZINC PLATED
DETENT SHIM - NICKEL SILVER
KNOB - THERMOPLASTIC, BLACK
TERMINALS - BRASS, SILVER PLATED
TERMINAL BOARD - PHENOLIC
3. THIS PRODUCT IS RoHS COMPLIANT.

CUSTOMER DRAWING

					★ STAR SYMBOL DENOTES CRITICAL DIMENSION	THIS DRAWING DESCRIBES A DESIGN CONSIDERED PROPRIETARY IN NATURE, DEVELOPED AND MANUFACTURED BY SWITCHCRAFT INC. AND IS RELEASED ON A CONFIDENTIAL BASIS FOR IDENTIFICATION PURPOSES ONLY.				
					UNLESS OTHERWISE SPECIFIED	SIZE	WIDTH	MULT	LBS/M	TEMPER
					1. ALL DIMENSIONS IN INCHES - TWO PLACE DECIMALS ±0.01 - THREE PLACE DECIMALS ±0.005 - ANGLES ±1° - ALL DIA. CONCENTRIC WITHIN 0.005 T.I.R.	FINISH		MATERIAL		
					2. FEATURES ON THE SAME CENTERLINE MUST BE ALIGNED WITHIN ±0.002	SPEC No.		SPEC No.		
					3. REMOVE ALL BURRS	FIRST USED ON		SCALE 1 = 0.5		
A	26044	6-24-06	JEB	TJK	DATE DRAWN		BY	CHKD	APVD	Switchcraft®
REV	ECO NUMBER	DATE	BY	APVD	22-Aug-08	JEB	JEB	TJK	08-22-08	
REVISIONS					DO NOT SCALE DRAWING	NAME		3 P.D.T. SLIDE SWITCH, RoHS		SHEET OF
						PART No.		50209LX		REV A