

M12 D-coded 4 poles, straight overmolded male connector

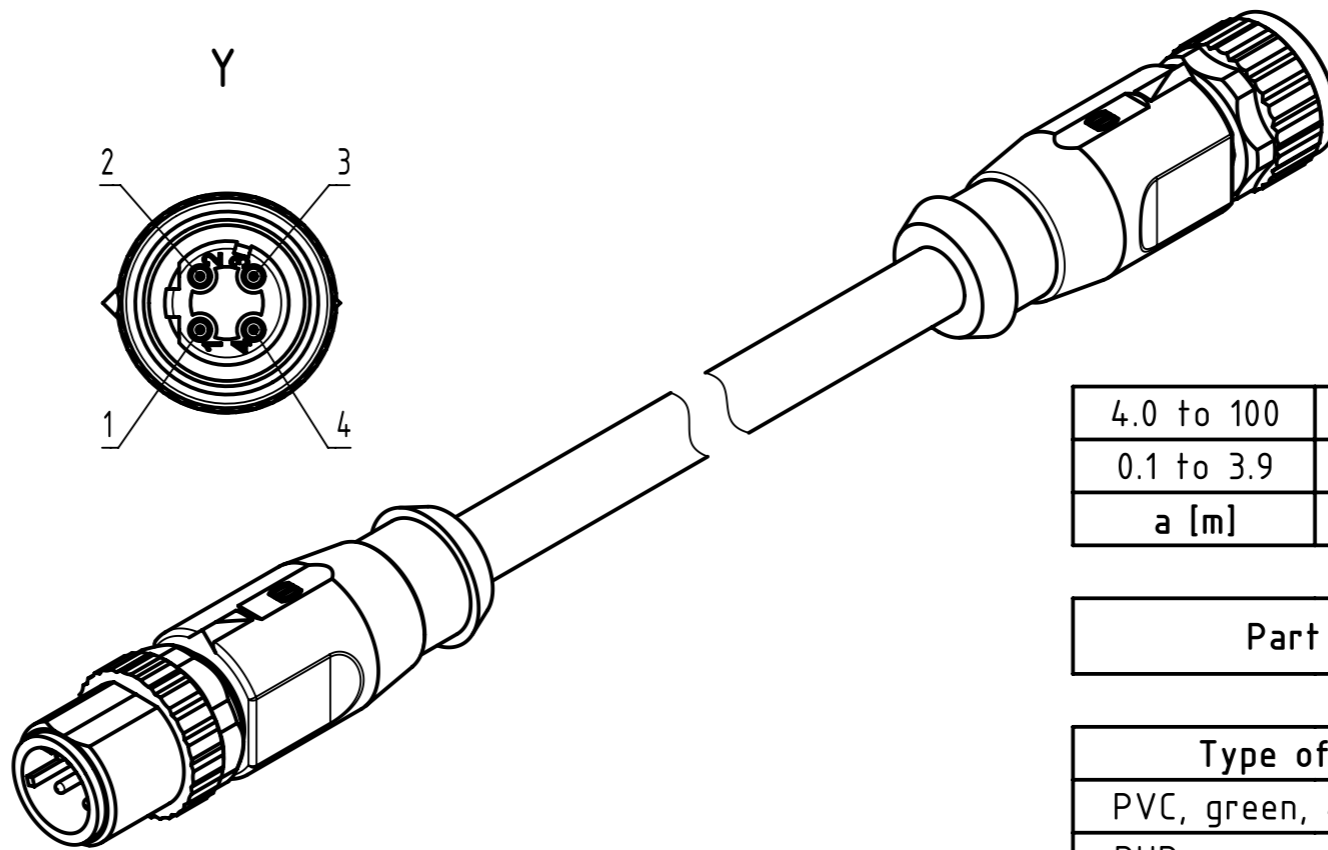
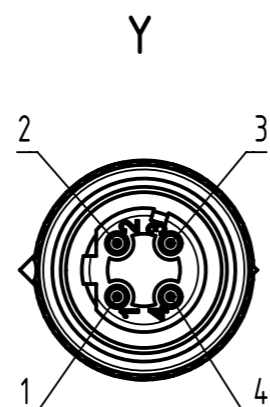
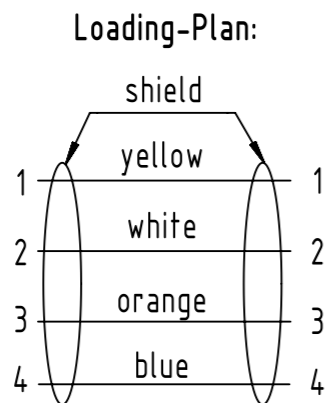
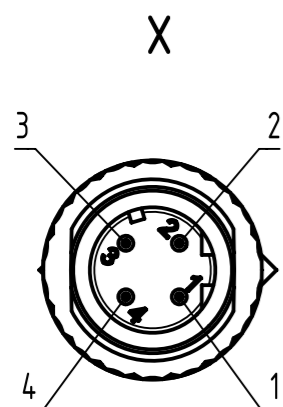
M12 D-coded 4 poles, straight overmolded female connector

length in "1m" step	100	XXX=000
	99	XXX=990
	.	.
	12	XXX=120
length in "0.1m" step	11	XXX=110
	10	XXX=100
	9.9	XXX=099
	9.8	XXX=098
	.	.
	0.4	XXX=004
	0.3	XXX=003
	0.2	XXX=002
	0.1	XXX=001
Step	a [m]	XXX

4.0 to 100	+1%
0.1 to 3.9	+0.04
a [m]	Tolerance

Part no.	213492934XXXXX
----------	----------------

Type of cable	XX
PVC, green, 4xAWG22/7	XX=05
PUR, green, 2x2xAWG22	XX=77



- Protection level: IP67
 - Temperature range: -30°C ... +70°C

	All rights reserved	Created by	Inspected by	Standardisation	Date	State	Doc-Key / ECM-Nr. 100588517/UGD/000/A 50000079044
	Department EC PD - RO	TOMUTA	AVRAM	HOFFMANN	2014-08-21	Final Release	
HARTING Electronics GmbH		Title			Date		Rev. A Page 1/1
D-32339 Espelkamp		M12 D-coded Cable Assembly			2014-08-21		
		Type	Number				
		TB	213492934XXXXX				