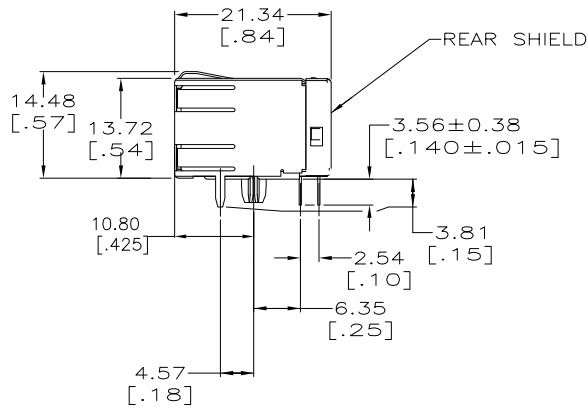
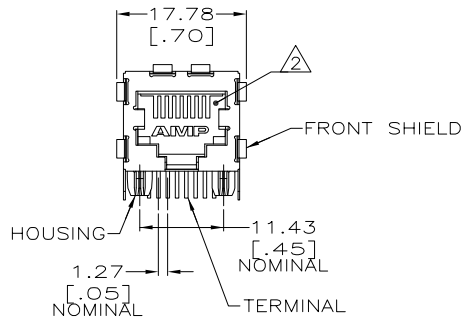
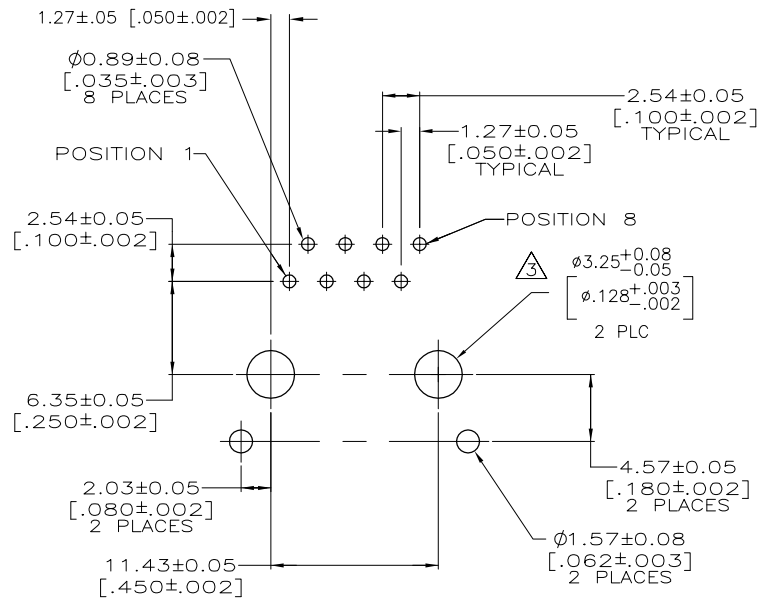


THIS DRAWING IS UNPUBLISHED. RELEASED FOR PUBLICATION  
 © COPYRIGHT BY TYCO ELECTRONICS CORPORATION. ALL RIGHTS RESERVED.

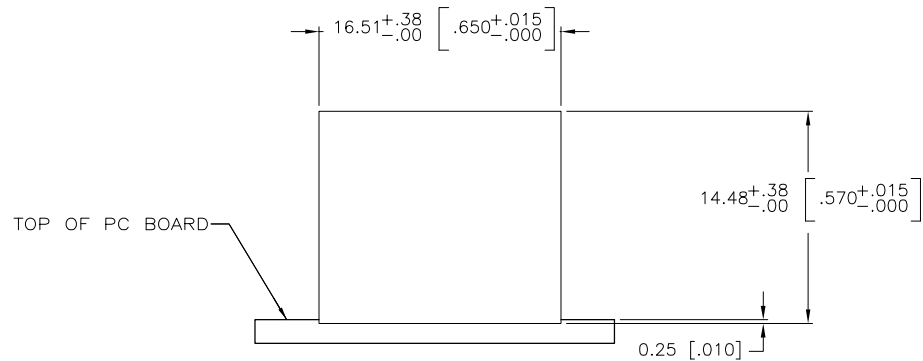
LOC		DIST		REVISIONS				
P	LTR	DATE	DESCRIPTION	DATE	OWN	APVD		
AA	00							
	C2	16APR2009	ECR-09-004284		TY	SY		



- MATERIAL: HOUSING - NYLON, COLOR: BLACK, UL 94V-0. OVERMOLDED TERMINAL ARRAY - PBT, BROWN. TERMINALS - 0.33[.013] THICK PHOS BRONZE PLATED WITH 1.27µm[.000050] MINIMUM THICK HARD GOLD IN LOCALIZED AREA AND 3.81µm [0.000150] MINIMUM THICK MATTE TIN IN SOLDER AREA OVER 1.27µm[.000050] MINIMUM THICK NICKEL UNDERPLATE. SHIELDS - 0.25[.010] THICK COPPER ALLOY PLATED WITH 1.27µm[.000050] MINIMUM NICKEL AND 2.03 µm [0.000080] MINIMUM HOT TIN DIP ON PCB GROUND TABS.
- △ JACK CAVITY CONFORMS TO FCC RULES AND REGULATIONS, PART 68 SUBPART F.
- △ USE #30 DRILL BIT OR 3.25mm DRILL BIT WHEN PRODUCING THESE PCB HOLES.
- DIELECTRIC WITHSTANDING VOLTAGE BETWEEN SHIELD AND TERMINAL IS 1500 VAC



RECOMMENDED PC BOARD LAYOUT  
 COMPONENT SIDE (TOP)  
 SCALE 4:1



RECOMMENDED PANEL CUTOUT  
 SCALE 4:1

5406217-1  
 PART NUMBER

THIS DRAWING IS A CONTROLLED DOCUMENT.		DWN T. SPRINKLE 01JUNE2005	Tyco Electronics Corporation Harrisburg, Pa 17105-3608	
DIMENSIONS: mm		CHK J. WESTMAN 01JUNE2005	APVD S. FLICKINGER 01JUNE2005	
TOLERANCES UNLESS OTHERWISE SPECIFIED:		NAME		PRODUCT SPEC
0 PLC ± -	1 PLC ± -	108-1163-2		MODULAR JACK ASSEMBLY, SINGLE PORT, 8 POSITION, SHIELDED, REVERSE PANEL GROUND TABS, CATEGORY 5
2 PLC ± 0.25[.01]	3 PLC ± 0.13[.005]	APPLICATION SPEC		SIZE
4 PLC ± -	ANGLES ± -	114-2048		CAGE CODE
MATERIAL		WEIGHT		DRAWING NO
SEE NOTE 1		SEE NOTE 1		A2 00779
		CUSTOMER DRAWING		SCALE 2:1 SHEET 1 OF 1 REV C2