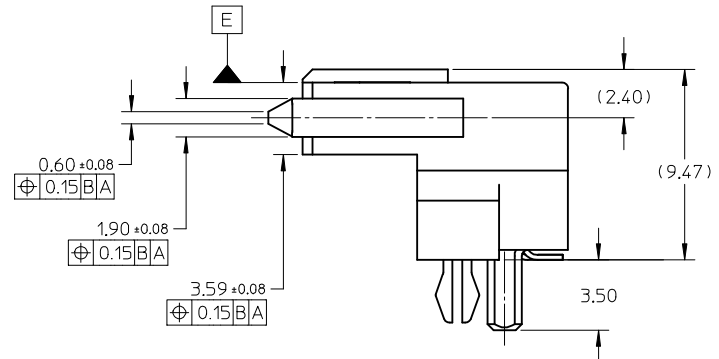
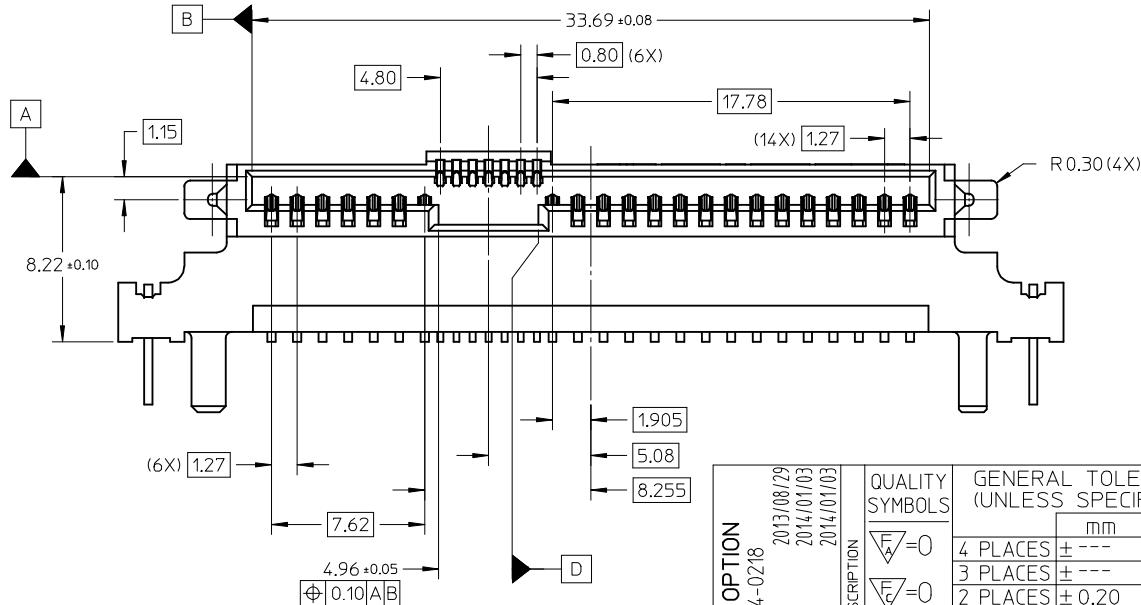


NOTES:

- MATERIAL
 HOUSING: NYLON 9T, GLASS FILLED, UL 94V-0, BLACK
 CAP: LCP, GLASS FILLED, UL 94V-0, BLACK
 TERMINAL: COPPER ALLOY
 FORK LOCK/BLADE: COPPER ALLOY
- PLATING:
 TERMINAL:
 CONTACT: 0.764μm MIN. SELECTIVE GOLD OVER 1.274μm MIN. NICKEL UNDERPLATE
 SOLDERTAIL: 2.544μm MIN. TIN OVER 1.274μm MIN. NICKEL UNDERPLATE
 FORK LOCK/BLADE:
 2.544μm MIN. TIN OVER 1.274μm MIN. NICKEL UNDERPLATE
- MOLEX LOGO AND DATE CODE LOCATED APPROXIMATELY AS SHOWN.
- NON FUNCTIONAL CORE HOLE MAY VARY.
- THIS PRODUCT IS COMPLIANT TO RoHS DIRECTIVE WITH THE FOLLOWING BANNED SUBSTANCES - LEAD, MERCURY, CADMIUM, HEXAVALENT CHROMIUM, POLYBROMINATED BIPHENYLS AND POLYBROMINATED DIPHENYL ETHERS.
- PRODUCT SPECIFICATION PS-87945-034 APPLIES.
- MATES WITH : SFF-8482 PLUG
 SATA PLUG SERIES 87679, 87703 AND 87799
- PACKAGING SPECIFICATION : TRAY : PK-87945-001
 TAPE & REEL : PK-87945-002



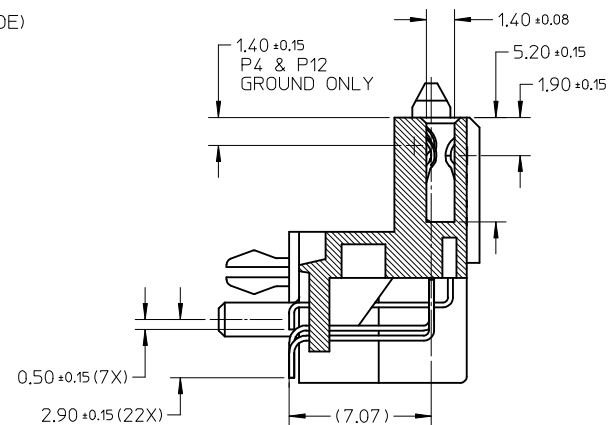
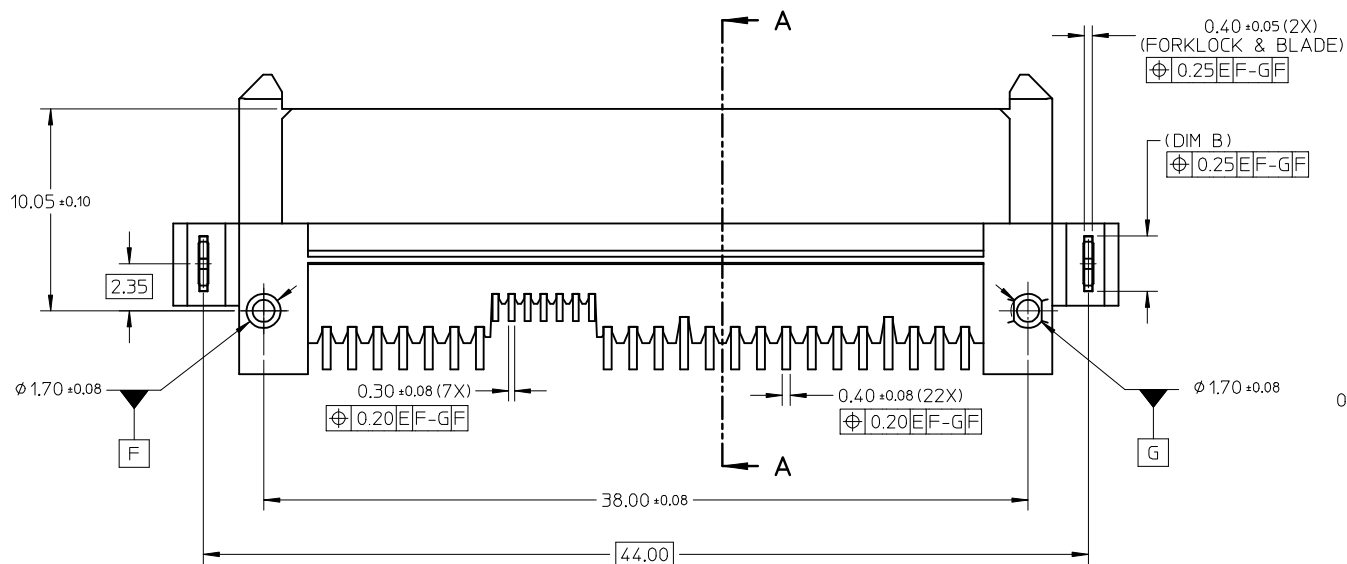
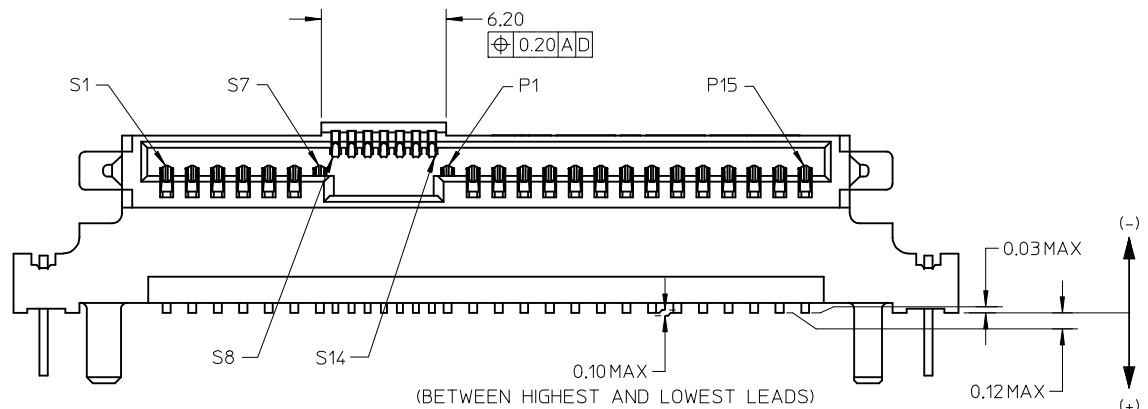
ADD CAP OPTION
 EC NO: S2014-0218
 DRWN:SKANG 2013/08/29
 CH'KD:MLONG 2014/01/03
 APPR:MLONG 2014/01/03

QUALITY SYMBOLS	GENERAL TOLERANCES (UNLESS SPECIFIED)	
	mm	INCH
$F_A=0$	4 PLACES ± ---	± ---
$F_B=0$	3 PLACES ± ---	± ---
$F_C=0$	2 PLACES ± 0.20	± ---
	1 PLACE ± ---	± ---
	0 PLACE ±	±

ANGULAR ± 3°
 DRAFT WHERE APPLICABLE MUST REMAIN WITHIN DIMENSIONS

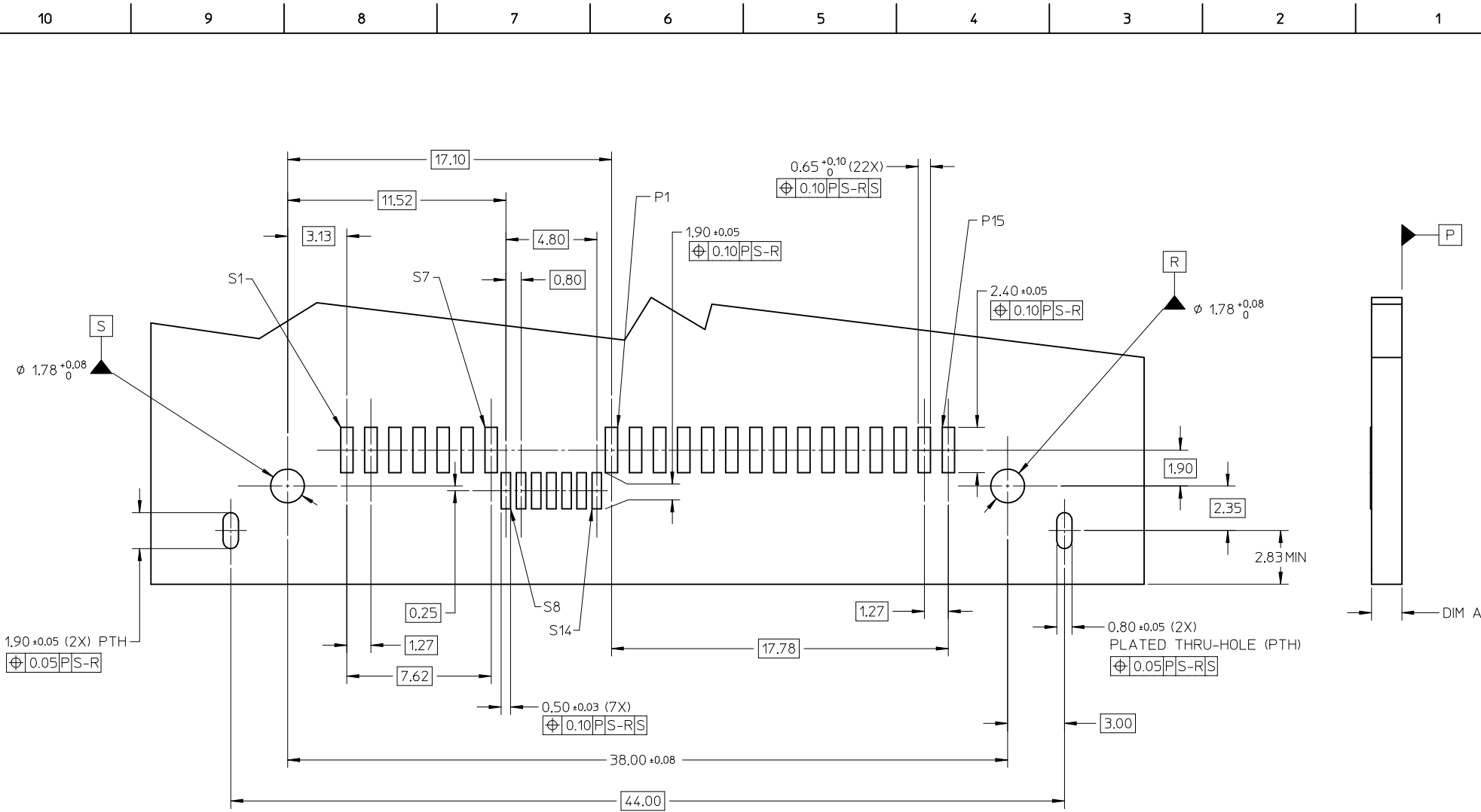
DIMENSION STYLE		SCALE	DESIGN UNITS	THIRD ANGLE PROJECTION
MM ONLY		NTS	METRIC	
DRAWN BY	DATE	TITLE		
KCHO	2005/02/22	SERIAL ATTACH SCSI RECEPTACLE, RIGHT-ANGLE SMT, 7.07MM HEIGHT		
CHECKED BY	DATE	molex		
DKOH	2005/03/23			
APPROVED BY	DATE	DOCUMENT NO.		
SKTOH	2005/03/23	SD-87945-001		
MATERIAL NO.		SHEET NO.		
SEE TABLE		1 OF 6		

THIS DRAWING CONTAINS INFORMATION THAT IS PROPRIETARY TO MOLEX INCORPORATED AND SHOULD NOT BE USED WITHOUT WRITTEN PERMISSION



SECTION A-A

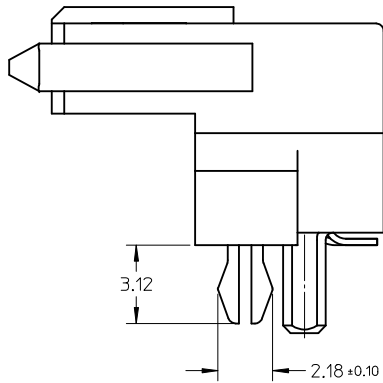
<p>ADD CAP OPTION EC NO: S2014-0218 DRWNS:KANG 2013/08/29 CHKD:MLONG 2014/01/03 APPR:MLONG 2014/01/03</p>	QUALITY SYMBOLS	GENERAL TOLERANCES (UNLESS SPECIFIED)		DIMENSION STYLE	SCALE	DESIGN UNITS	THIRD ANGLE PROJECTION	
	$\nabla_F = 0$ $\nabla_G = 0$ $\nabla_H = 0$	mm	INCH	MM ONLY	NTS	METRIC		
		4 PLACES	± ---	± ---	DRAWN BY	DATE	TITLE	
		3 PLACES	± ---	± ---	KCHO	2005/02/22	SERIAL ATTACH SCSI RECEPTACLE, RIGHT-ANGLE SMT, 7.07MM HEIGHT	
		2 PLACES	± 0.20	± ---	CHECKED BY	DATE	molex	
	1 PLACE	± ---	± ---	DKOH	2005/03/23	DOCUMENT NO. SD-87945-001		
	0 PLACE	±	±	APPROVED BY	DATE	SHEET NO. 2 OF 6		
		ANGULAR ± 3 °		SKTOH	2005/03/23	THIS DRAWING CONTAINS INFORMATION THAT IS PROPRIETARY TO MOLEX INCORPORATED AND SHOULD NOT BE USED WITHOUT WRITTEN PERMISSION		
		DRAFT WHERE APPLICABLE MUST REMAIN WITHIN DIMENSIONS		MATERIAL NO.	SEE TABLE			
				SIZE A3				



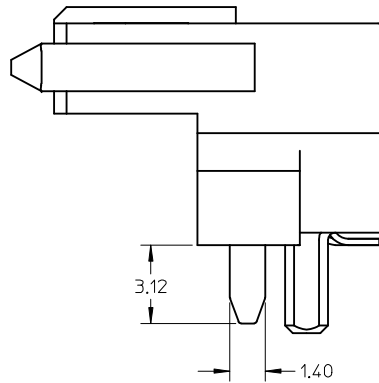
RECOMMENDED PCB LAYOUT

ADD CAP OPTION EC NO: S2014-0218 DRWN:SKANG 2013/08/29 CHKD:MLONG 2014/01/03 APPR:MLONG 2014/01/03	DESCRIPTION REV	QUALITY SYMBOLS	GENERAL TOLERANCES (UNLESS SPECIFIED)		DIMENSION STYLE	SCALE	DESIGN UNITS	THIRD ANGLE PROJECTION
		$F_A=0$ $F_G=0$ $F_P=0$	mm	INCH	MM ONLY	NTS	METRIC	
		4 PLACES ± --- ± --- 3 PLACES ± --- ± --- 2 PLACES ± 0.20 ± --- 1 PLACE ± --- ± --- 0 PLACE ± ±	DRAWN BY: KCHO DATE: 2005/02/22		TITLE: SERIAL ATTACH SCSI RECEPTACLE, RIGHT-ANGLE SMT, 7.07MM HEIGHT			
		ANGULAR ± 3 ° DRAFT WHERE APPLICABLE MUST REMAIN WITHIN DIMENSIONS	CHECKED BY: DKOH DATE: 2005/03/23		APPROVED BY: SKTOH DATE: 2005/03/23			
			MATERIAL NO.		DOCUMENT NO.		SHEET NO.	
			SEE TABLE		SD-87945-001		3 OF 6	
			THIS DRAWING CONTAINS INFORMATION THAT IS PROPRIETARY TO MOLEX INCORPORATED AND SHOULD NOT BE USED WITHOUT WRITTEN PERMISSION					

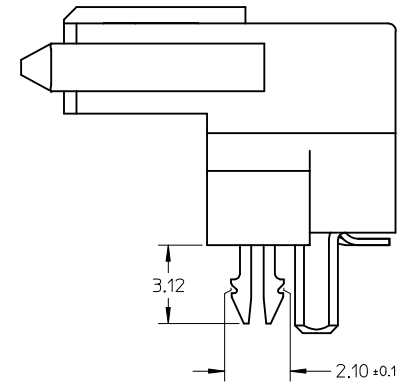
10	9	8	7	6	5	4	3	2	1
				PART NUMBER WITHOUT CAP IN TRAY	PART NUMBER WITH CAP IN T&R	HOLD DOWN	DIM A (PCB THICKNESS)		DIM B
				87945-0001	-	FORKLOCK	1.60±0.10		(2.18)
				87945-0002	87945-0202	BLADE	-		(1.40)
				87945-1001	87945-1201	FORKLOCK	1.834±0.183 TO 2.20±0.22 PCB FORKLOCK HOLE MUST BE PLATED THRU-HOLE (PTH) REGARDLESS WHETHER FORKLOCK IS SOLDERED OR NOT		(2.10)



87945-0001



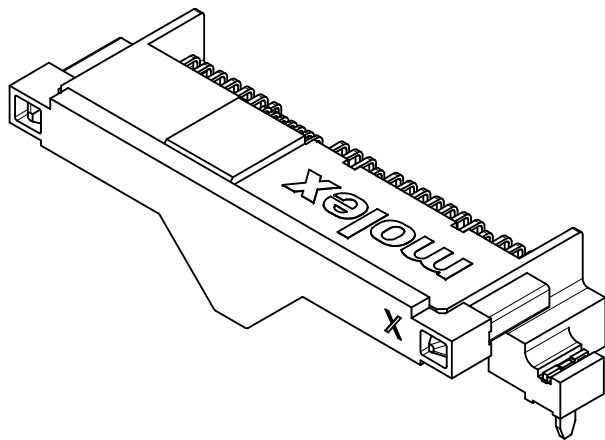
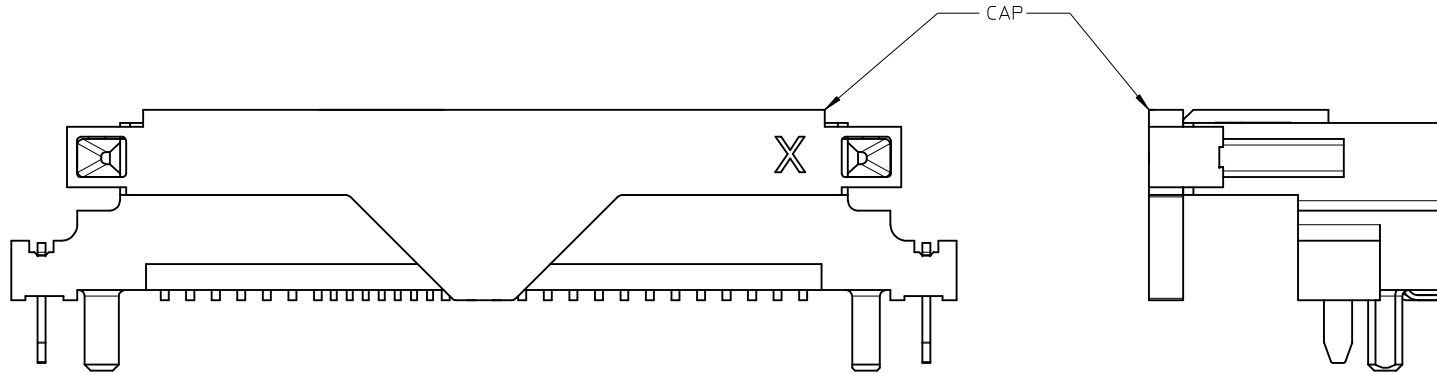
87945-0002 (WITHOUT CAP)
87945-0202 (WITH CAP)



87945-1001 (WITHOUT CAP)
87945-1201 (WITH CAP)

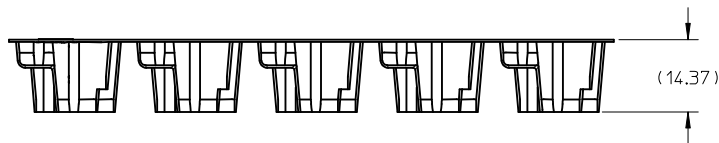
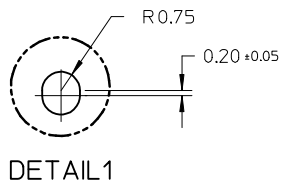
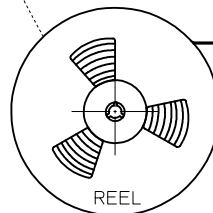
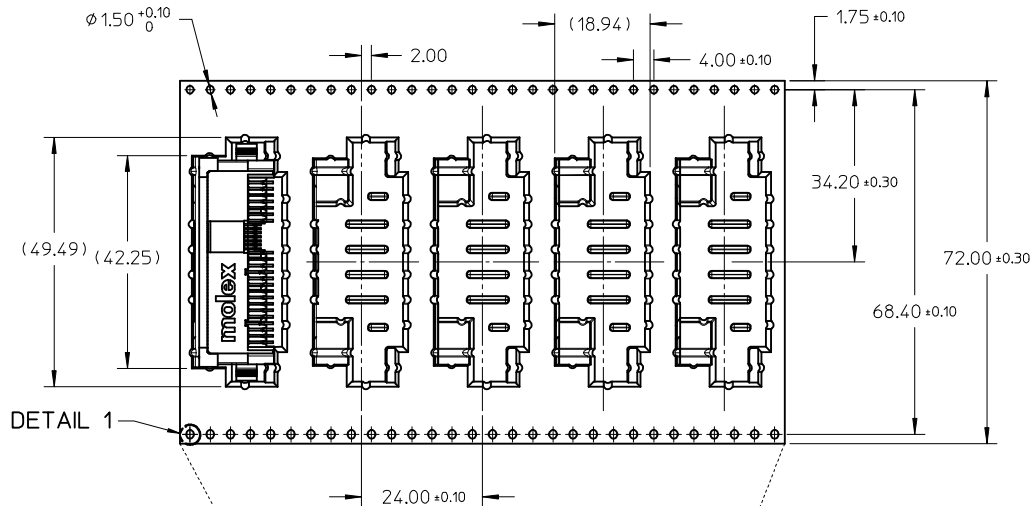
ADD CAP OPTION IEC NO: S2014-0218 DRWN:SKANG 2013/08/29 CHK:DHLONG 2014/01/03 APPR:MLONG 2014/01/03	REV DESCRIPTION 1 2 3	QUALITY SYMBOLS	GENERAL TOLERANCES (UNLESS SPECIFIED)	DIMENSION STYLE	SCALE	DESIGN UNITS	THIRD ANGLE PROJECTION																		
		$\nabla = 0$ $\nabla = 0$ $\nabla = 0$	<table border="1"> <thead> <tr> <th></th> <th>mm</th> <th>INCH</th> </tr> </thead> <tbody> <tr> <td>4 PLACES</td> <td>± ---</td> <td>± ---</td> </tr> <tr> <td>3 PLACES</td> <td>± ---</td> <td>± ---</td> </tr> <tr> <td>2 PLACES</td> <td>± 0.20</td> <td>± ---</td> </tr> <tr> <td>1 PLACE</td> <td>± ---</td> <td>± ---</td> </tr> <tr> <td>0 PLACE</td> <td>±</td> <td>±</td> </tr> </tbody> </table>		mm	INCH	4 PLACES	± ---	± ---	3 PLACES	± ---	± ---	2 PLACES	± 0.20	± ---	1 PLACE	± ---	± ---	0 PLACE	±	±	MM ONLY	NTS	METRIC	SERIAL ATTACH SCSI RECEPTACLE, RIGHT-ANGLE SMT, 7.07MM HEIGHT molex DOCUMENT NO. SD-87945-001 SHEET NO. 4 OF 6
			mm	INCH																					
		4 PLACES	± ---	± ---																					
3 PLACES	± ---	± ---																							
2 PLACES	± 0.20	± ---																							
1 PLACE	± ---	± ---																							
0 PLACE	±	±																							
ANGULAR ± 3°	DRAFT WHERE APPLICABLE MUST REMAIN WITHIN DIMENSIONS	DRAWN BY: KCHO CHECKED BY: DKOH APPROVED BY: SKTOH MATERIAL NO.	DATE: 2005/02/22 DATE: 2005/03/23 DATE: 2005/03/23	TITLE																					
SEE TABLE	THIS DRAWING CONTAINS INFORMATION THAT IS PROPRIETARY TO MOLEX INCORPORATED AND SHOULD NOT BE USED WITHOUT WRITTEN PERMISSION	SIZE A3																							

ILLUSTRATION FOR PART WITH CAP



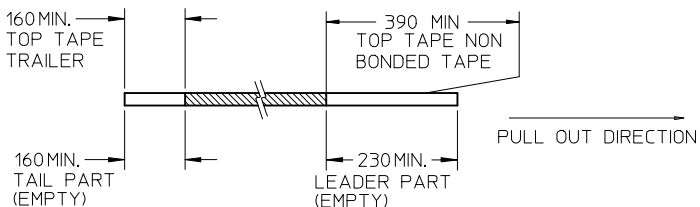
ADD CAP OPTION EC NO: S2014-0218 DRWNSKANG 2013/08/29 CHKD:MLONG 2014/01/03 APPR:MLONG 2014/01/03	DESCRIPTION REV	QUALITY SYMBOLS	GENERAL TOLERANCES (UNLESS SPECIFIED)		DIMENSION STYLE MM ONLY		SCALE NTS	DESIGN UNITS METRIC	THIRD ANGLE PROJECTION
		$\nabla_F = 0$ $\nabla_E = 0$ $\nabla_B = 0$	mm INCH 4 PLACES ± --- ± --- 3 PLACES ± --- ± --- 2 PLACES ± 0.20 ± --- 1 PLACE ± --- ± --- 0 PLACE ± ±	DRAWN BY: KCHO DATE: 2005/02/22 CHECKED BY: DKOH DATE: 2005/03/23 APPROVED BY: SKTOH DATE: 2005/03/23	TITLE SERIAL ATTACH SCSI RECEPTACLE, RIGHT-ANGLE SMT, 7.07MM HEIGHT				
		ANGULAR ± 3 ° DRAFT WHERE APPLICABLE MUST REMAIN WITHIN DIMENSIONS	MATERIAL NO. SEE TABLE	DOCUMENT NO. SD-87945-001	SHEET NO. 5 OF 6				
		THIS DRAWING CONTAINS INFORMATION THAT IS PROPRIETARY TO MOLEX INCORPORATED AND SHOULD NOT BE USED WITHOUT WRITTEN PERMISSION							

PART WITH CAP IN T&R

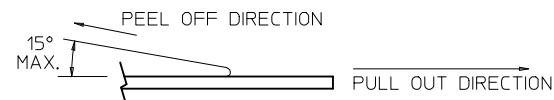


NOTES:

1. LEADER AND TRAILER TAPE



2. PEELING OFF FORCE OF THE TOP TAPE: 20 - 80gf. (PEELING DIRECTION AS SHOWN IN FOLLOWING FIGURE)



- 3. TAPE AND REEL SPECIFICATION IS AS PER EIA-481.
- 4. TAPE AND REEL QUANTITY : 150PCS
- 5. THE TAPE IS TREATED FOR ANTI-STATIC.

ADD CAP OPTION EC NO: S2014-0218 DRWN:SKANG 2013/08/29 CHKD:MLONG 2014/01/03 APPR:MLONG 2014/01/03	DESCRIPTION QUALITY SYMBOLS $F_A=0$ $F_G=0$ $F_P=0$	GENERAL TOLERANCES (UNLESS SPECIFIED)		DIMENSION STYLE MM ONLY		SCALE NTS	DESIGN UNITS METRIC	THIRD ANGLE PROJECTION		
			mm	INCH	DRAWN BY KCHO	DATE 2005/02/22	TITLE SERIAL ATTACH SCSI RECEPTACLE, RIGHT-ANGLE SMT, 7.07MM HEIGHT			
		4 PLACES	± ---	± ---	CHECKED BY DKOH	DATE 2005/03/23	molex SERIAL ATTACH SCSI RECEPTACLE, RIGHT-ANGLE SMT, 7.07MM HEIGHT SD-87945-001			
		3 PLACES	± ---	± ---	APPROVED BY SKTOH	DATE 2005/03/23				
2 PLACES	± 0.20	± ---	MATERIAL NO.		DOCUMENT NO.		SHEET NO.			
1 PLACE	± ---	± ---	SEE TABLE		SD-87945-001		6 OF 6			
0 PLACE	±	±	DRAFT WHERE APPLICABLE MUST REMAIN WITHIN DIMENSIONS		THIS DRAWING CONTAINS INFORMATION THAT IS PROPRIETARY TO MOLEX INCORPORATED AND SHOULD NOT BE USED WITHOUT WRITTEN PERMISSION					