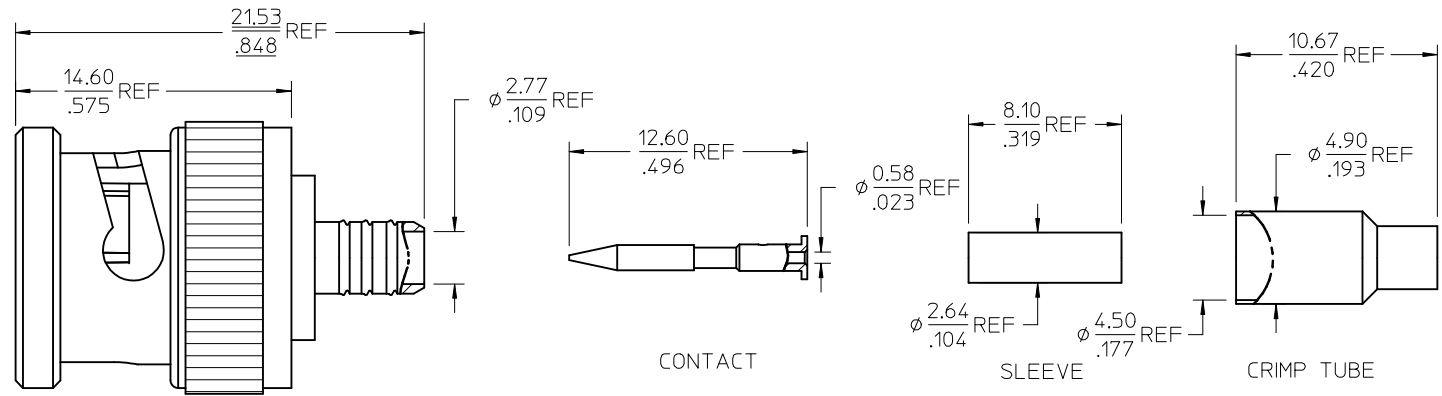
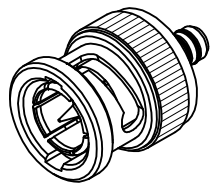
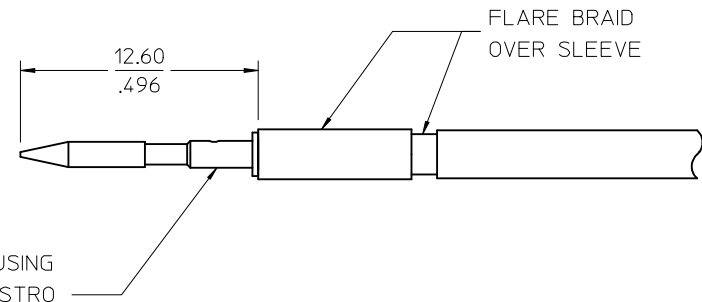
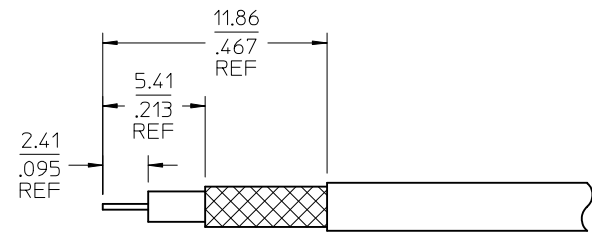
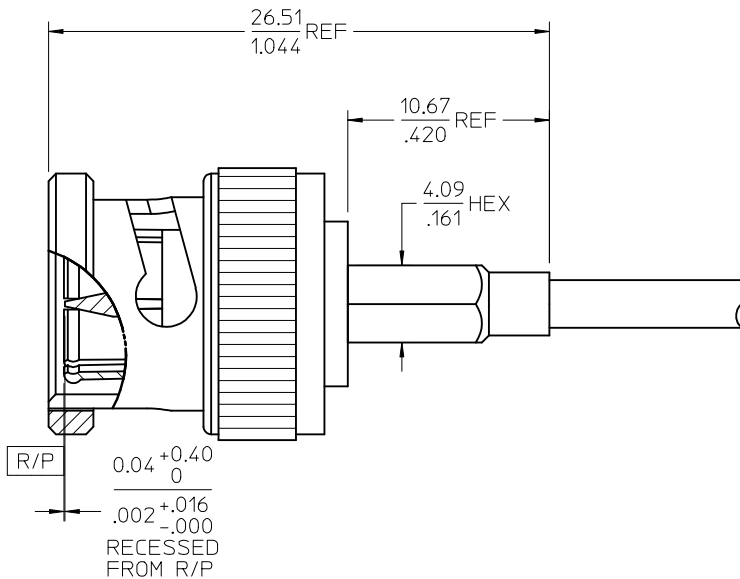


MATERIALS AND FINISHES

- J BODY BRASS  
PLATED NICKEL
- I CENTER CONTACT BRASS  
PLATED GOLD
- I OUTER CONTACT BRASS  
PLATED NICKEL
- H CRIMP TUBE BRASS  
PLATED TIN
- G COUPLING NUT ZINC  
PLATED NICKEL
- G WASHER BRASS  
PLATED NICKEL
- F SPRING WASHER BeCu  
PLATED NICKEL
- F GASKET SILICONE RUBBER
- E INSULATOR, SLEEVE TEFLON



BNC PLUG



PART # 73171-1290

CONTACT MAY BE SOLDERED OR CRIMPED USING 8 INDENT CRIMP TOOL SET TO .73 (.029) (ASTRO TOOL NUMBER 612118 OR EQUIVALENT TOOL)

PS-89675-2020	PRODUCT SPECIFICATION
SPECIFICATION	DESCRIPTION

<p>CHG: ADDED TO TOLERANCE TO CONTACT ASSY.</p> <p>EC NO: URF2010-0181</p> <p>DRW: AR0BERTSON 2009/09/24</p> <p>CHKD: SSS 2009/09/24</p> <p>APPR: JWENNER 2009/09/24</p> <p>REV: B1</p>	<p>QUALITY SYMBOLS</p> <p>▽=0</p> <p>▽=0</p>	GENERAL TOLERANCES (UNLESS SPECIFIED)		DIMENSION STYLE	SCALE	DESIGN UNITS	THIRD ANGLE PROJECTION	
				MM/IN				
				DRAWN BY	DATE	TITLE		
				CHECKED BY	DATE			
		APPROVED BY	DATE					
		ANGULAR ± 2 °		MATERIAL NO.	DOCUMENT NO.			
		DRAFT WHERE APPLICABLE MUST REMAIN WITHIN DIMENSIONS		731711290	SD-73171-129			
				THIS DRAWING CONTAINS INFORMATION THAT IS PROPRIETARY TO MOLEX INCORPORATED AND SHOULD NOT BE USED WITHOUT WRITTEN PERMISSION				