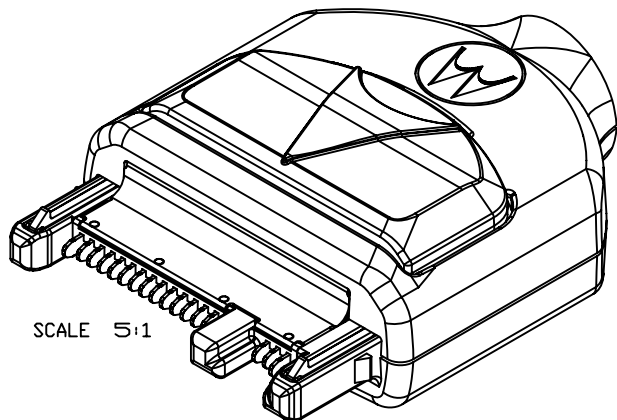
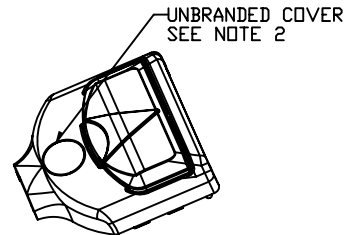
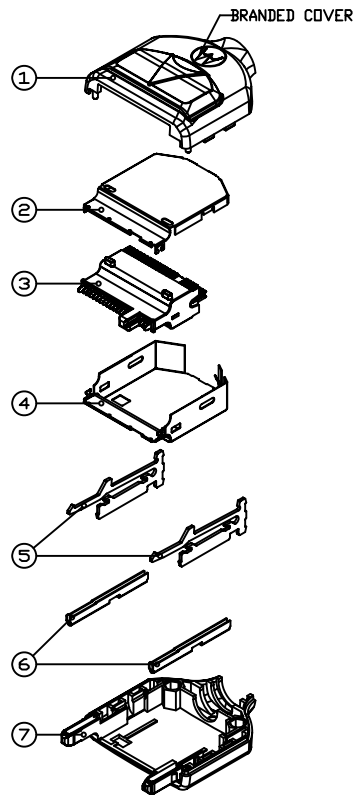


Product-number	COLOR	BRAND
63636-003	BLACK	NO
63636-005LF	BLACK	YES
63636-006	BLACK	NO
63636-006LF	BLACK	NO
63636-007LF	WHITE	YES

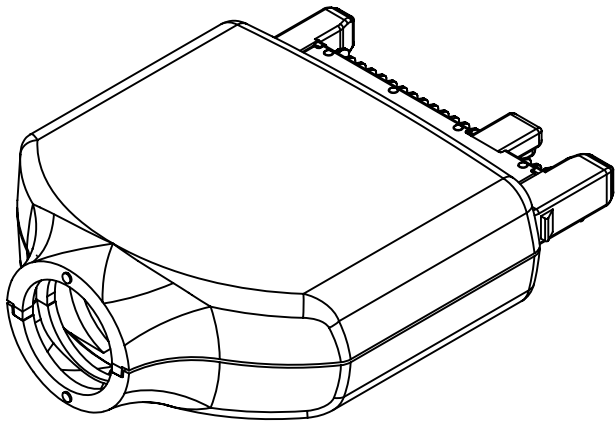
ITEM	DESCRIPTION	PART NUMBER	BRANDED				UNBRANDED		
			63636-001	63636-005LF	63636-005	63636-007LF	63636-003	63636-006	63636-006LF
1	Top cover	63639-001	1	1	1	-	-	-	
		63639-002	-	-	-	-	-	-	
		63639-003	-	-	-	-	1	1	1
		63639-004	-	-	-	-	-	-	-
		63639-005	-	-	-	1	-	-	-
2	Top shield	63640-001	1	1	1	1	1	1	
3	17 pos. Terminal block assy	63643-003LF	-	-	-	-	-	1	
		63643-002	1	-	-	-	1	-	
	17 pos. Terminal block assy(new material)	63643-003	-	-	1	-	-	1	
		63643-007LF	-	-	-	1	-	-	
4	Bottom shield	63641-001	1	1	1	1	1		
5	Latch	63633-001	2	2	2	2	2		
6	Peg blade	63634-001	2	2	2	2	2		
7	Bottom cover	63638-001	1	1	1	-	1	1	
		63638-005	-	-	-	1	-	-	
			Obsolete	Active	Obsolete	Active	Active	Active	



SCALE 5:1



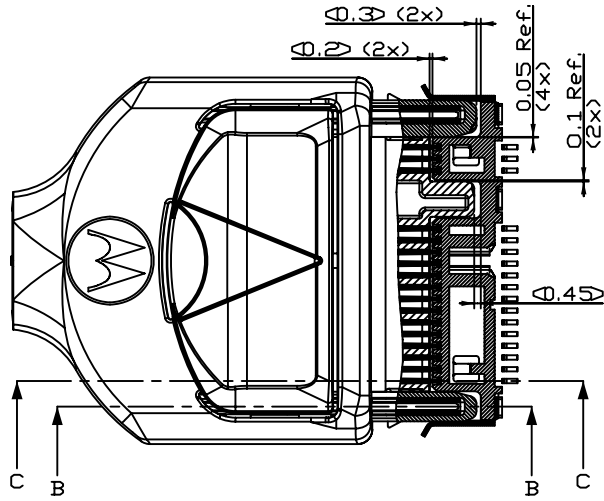
- Notes:
- Button press-in force to release 10N max.
 - A circle mark can be present on the unbranded cover (insert mark).
 - 63636-005LF/006LF/007LF meets European union directives and other country regulations as described in GS-22-008
 - Lead free label on the carton of 63636-005LF/006LF/007LF per GS-14-920
 - Melting temperature of HSG is 225°C
 - Packing specification per GS-14-694
 - Plating: 1.2 um min semi-bright Nickel all over followed by:
 - Zone A: 0.8 um min GXT
 - Zone B: 0.75 um min Gold
 - Zone C: 2.5~ 10 um Tin-lead (93-7) for 63636-003/006 or 2.5~10 um pure Sn for 63636-005LF/006LF/007LF
 - Zone D: Transition Tin-lead or pure Sn allowed
 - Base metal: Beryllium copper or st194



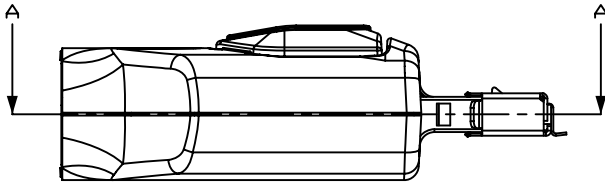
SCALE 5:1

matl code		tolerances unless otherwise specified		CUSTOMER COPY		FCI ELECTRONICS	
ltr	ecn no	dr	date	linear	projection	www.fciconnect.com	
E	LS3037	SCL	041003	---	---	title Data Plug Kit	
F	T03-0275	LS	072203	---	---	product family Mobile I/O	
G	T04-0217	LS	051904	angles	---	size dng no 213	
H	DG04-0106	PM	122304	dr	J.Gibbels	001004	code
J	DG05-0369	PM	092905	enrg	H.Verelijken	001004	sheet
K	DG06-0452	CL	110606	chr	M.Klein	001004	1 of 5
L	DG07-0279	CL	070307	appd	R.Semmeling	001004	
sheet	revision	L	J	J	J	J	
index	sheet	1	2	3	4	5	

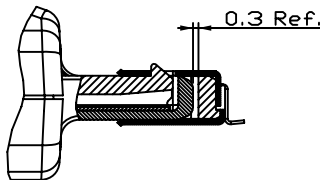
PLUG MATED WITH RECEPTACLE



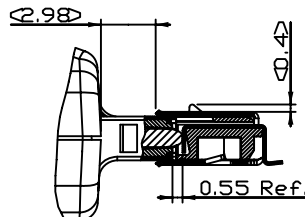
SECTION A-A



SECTION B-B
SCALE 5:1

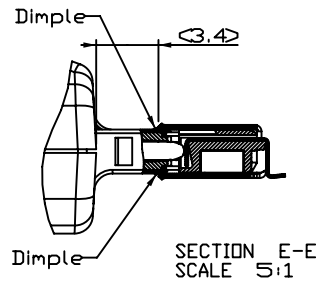
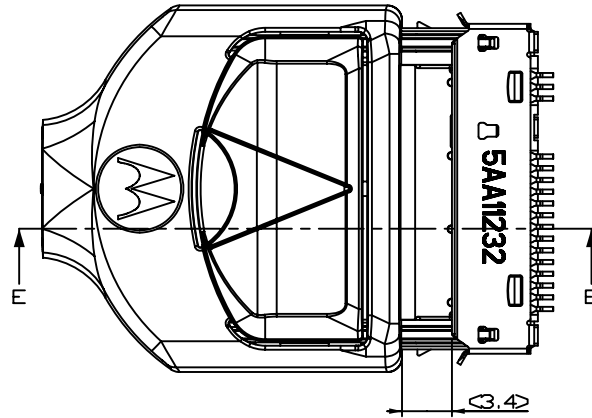


SECTION C-C
SCALE 5:1



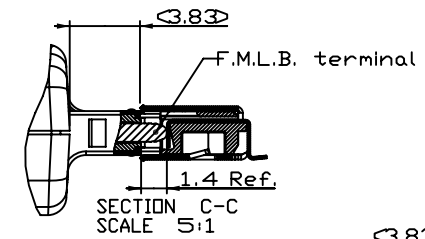
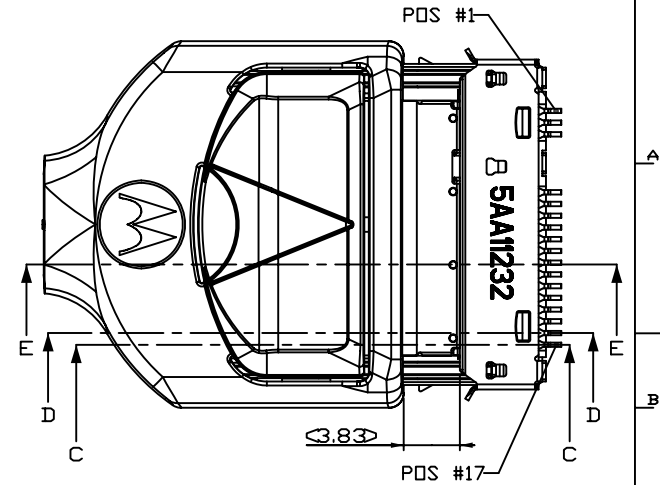
SECTION E-E
SCALE 5:1

DIMPLE MAKES CONTACT WITH METAL SHIELD

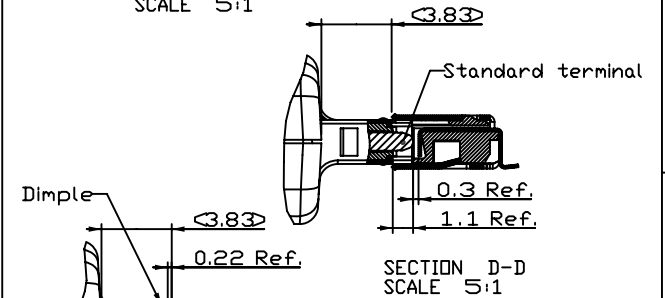


SECTION E-E
SCALE 5:1

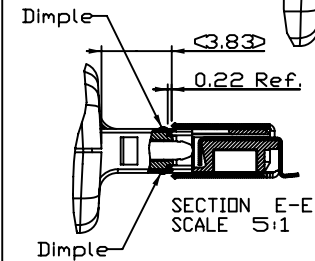
PINS 1 AND 17 MATE FIRST



SECTION C-C
SCALE 5:1

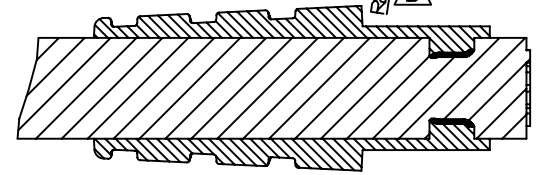
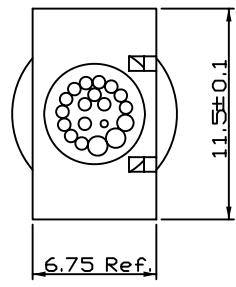
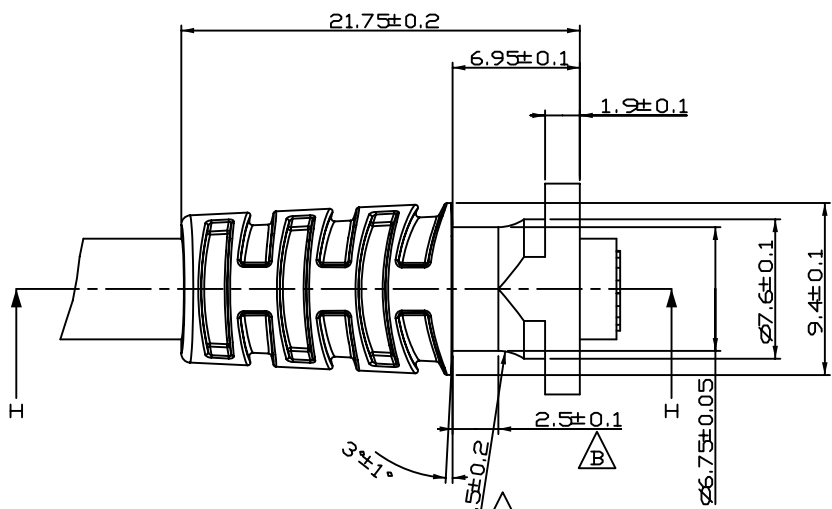


SECTION D-D
SCALE 5:1

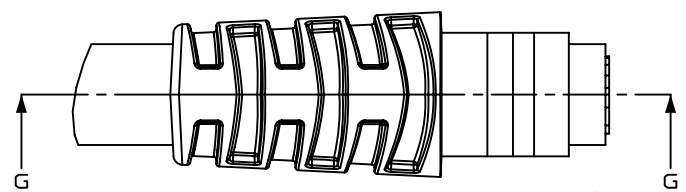


SECTION E-E
SCALE 5:1

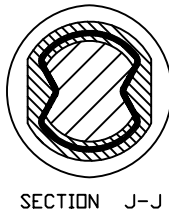
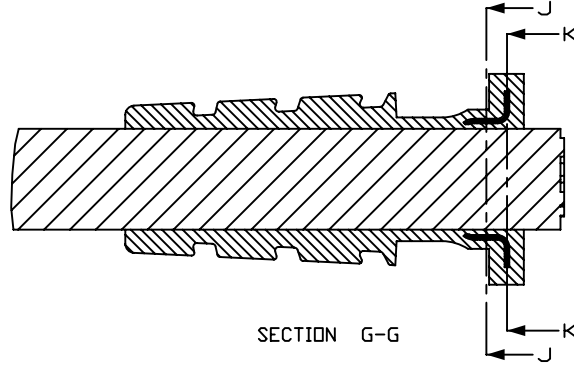
part code		tolerances unless otherwise specified		CUSTOMER COPY	FCJ ELECTRONICS www.fcjconnect.com	
ltr	ecn no	dr	date	linear	projection	title
J				mm	1st angle	Data Plug
				angles		Plug mated with receptacle
		dr	J.Gilbels	001004	mm	product family
		engr	H.Verelken	001004	mm	Mobile I/O
		chr	M.Klein	001004	mm	code
		appd	R.Semmeling	001004	mm	size
					scale	4:1
sheet	revision					63636
index	sheet					213
						3 of 5



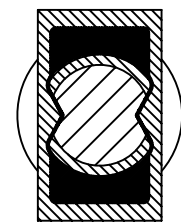
SECTION H-H



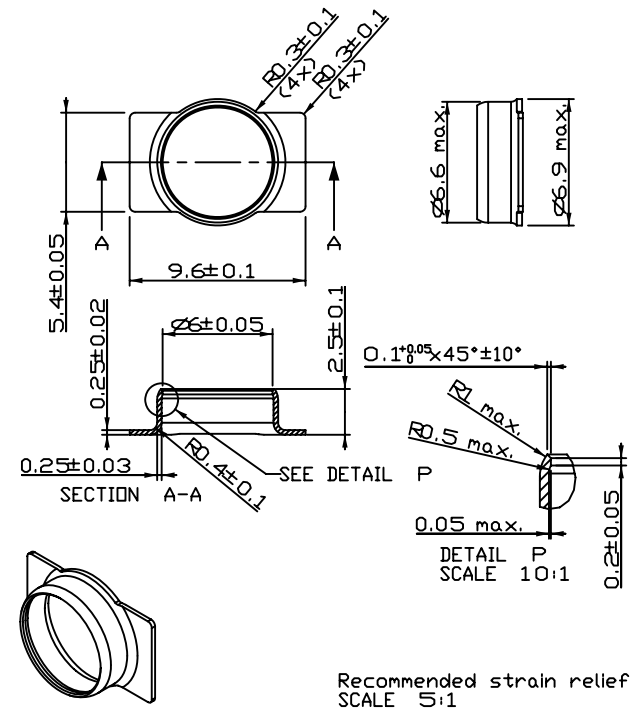
SECTION G-G



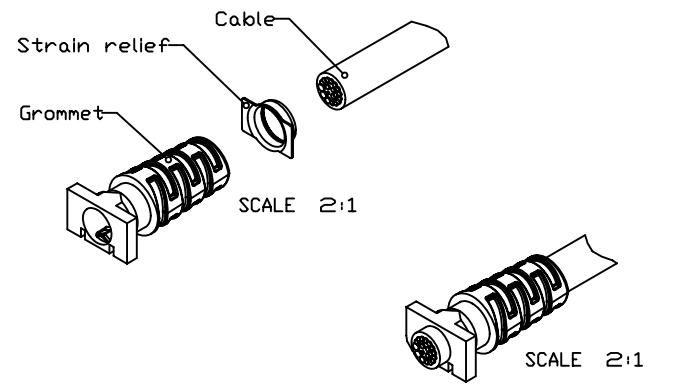
SECTION J-J



SECTION K-K

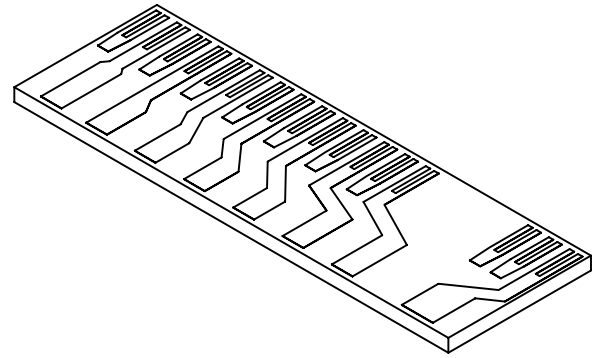
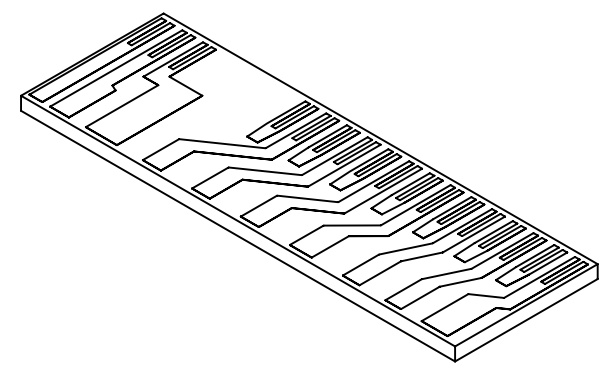
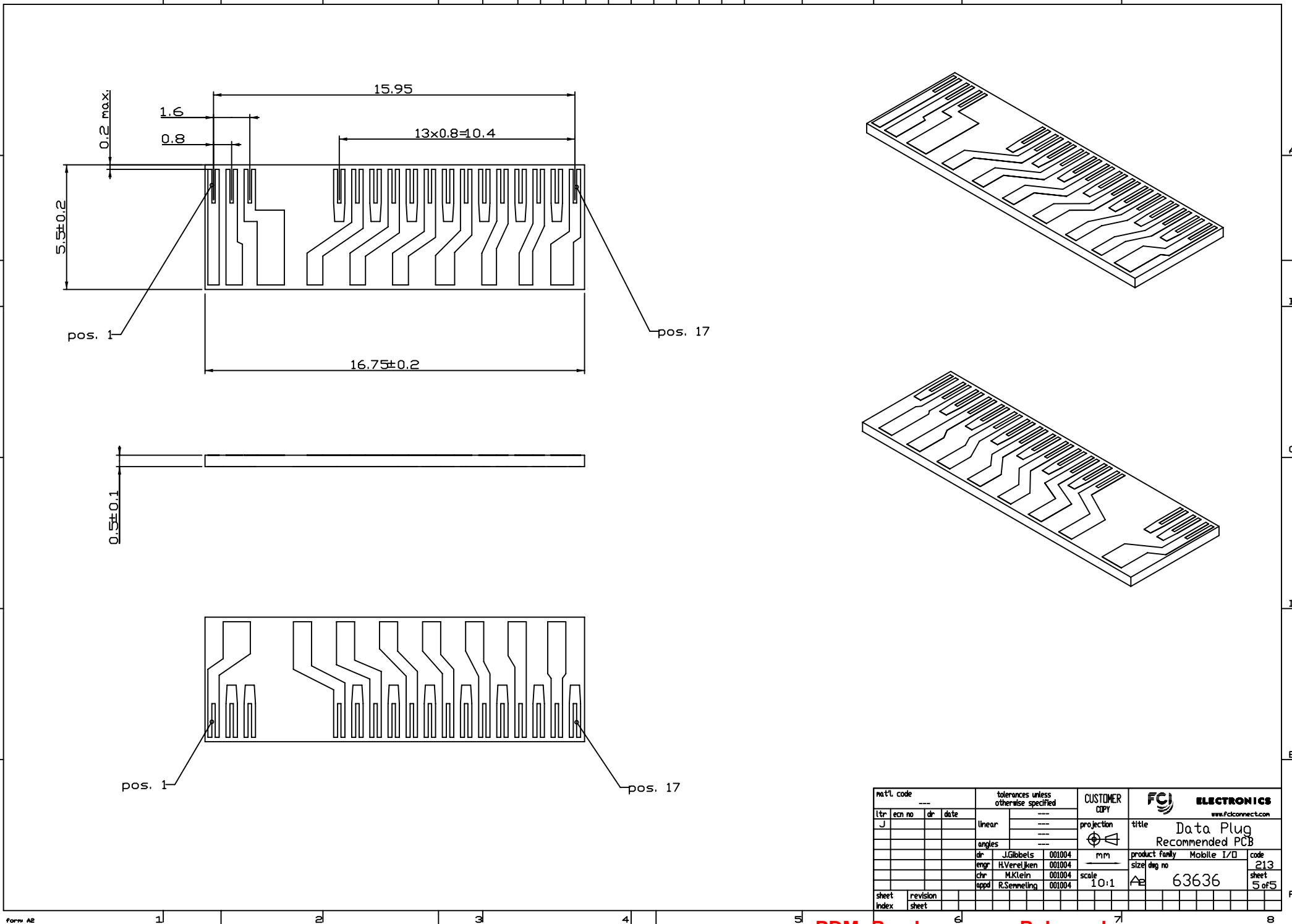


Recommended strain relief
SCALE 5:1



matl. code		tolerances unless otherwise specified		CUSTOMER COPY		FCJ ELECTRONICS	
ltr	ecn no	dr	date	linear	projection	www.fcjconnect.com	
J				angles	mm	title Data Plug Recommended grommet	
		dr	J.Gilbels	001004	scale	product family	Mobile I/O
		engr	H.Verelijken	001004	5:1	size	213
		chr	M.Klein	001004		sheet	4 of 5
		appd	R.Semmeling	001004		code	63636
sheet index	revision	sheet					

All rights strictly reserved. Reproduction or use in other projects than the original is prohibited. Property of FCJ B.V. © FCJ B.V.



matl. code		tolerances unless otherwise specified		CUSTOMER COPY		ELECTRONICS www.fcjconnect.com		
ltr	ecn no	dr	date	linear	projection	title Data Plug Recommended PCB		
J				angles		product family	code	
		dr	J.Gilbets 001004		mm	Mobile I/O	213	
		engr	H.Verelken 001004		scale	size	sheet	
		chr	M.Klein 001004		10:1	63636	5 of 5	
		appd	R.Semmeling 001004					
sheet index	revision sheet							