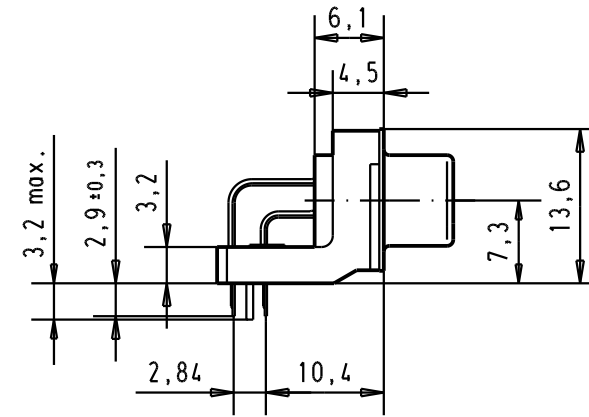
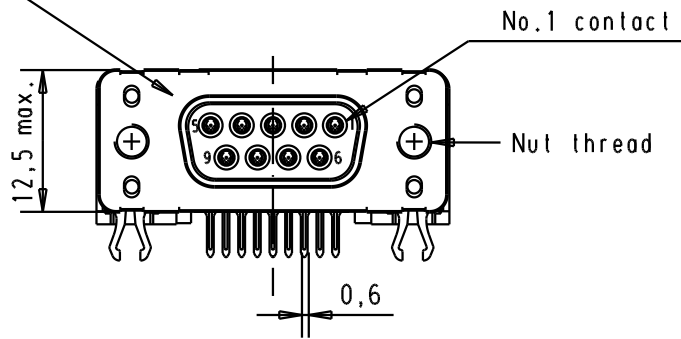
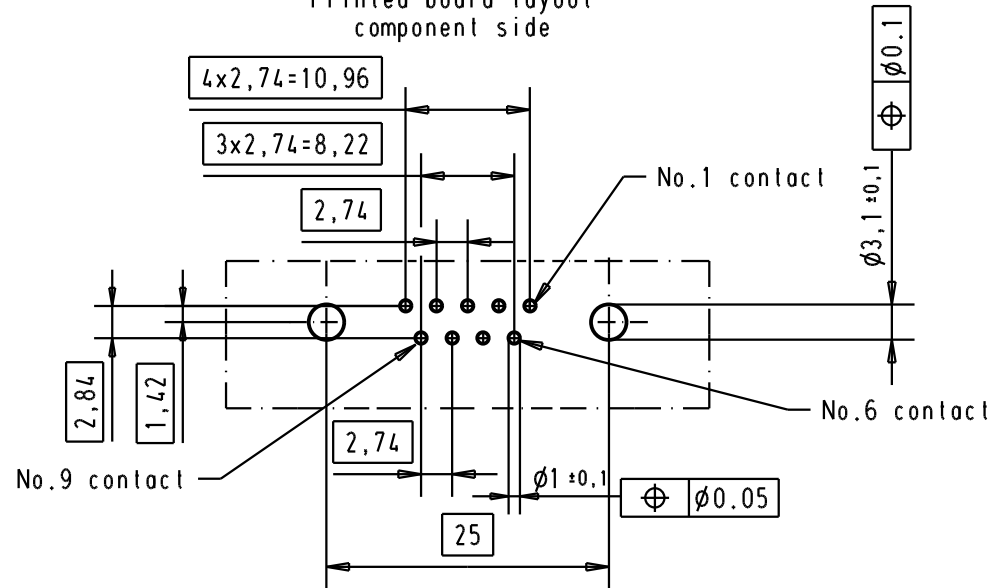
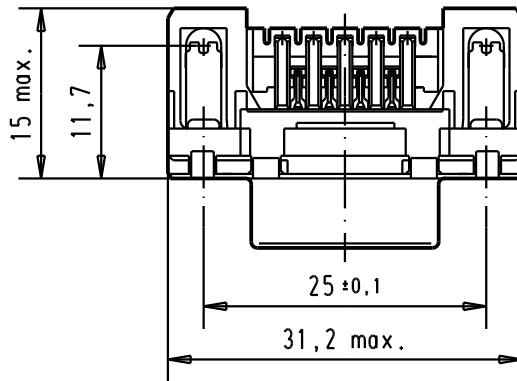


Mating face according to : MIL-C-24308 / DIN 41652 / CECC 75301-802

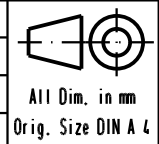


Printed board layout component side



Connector retention and insertion forces on the PCB = 25 / 80 newtons

09 66 157 3611	M3	1								
09 66 157 6611	M3	2								
09 66 157 7611	M3	3								
09 66 157 3612	4-40 UNC	1								
09 66 157 6612	4-40 UNC	2	31892	05/05/04	JH					
09 66 157 7612	4-40 UNC	3	29723	05/03/02	CV					
Part number	Nut thread	Performance level	Mod.	Dat.	Name					



All Dim. in mm
Orig. Size DIN A 4

D-Sub, high temperature, female, standard, 9 poles, with solder pins 2,9 mm, nuts and grounding board lock.

Maßstab/Scale

1.5:1

HARTING EURL
F-95972 Paris



TB 0966157x61x

Blatt/ Page

2

Sub.