

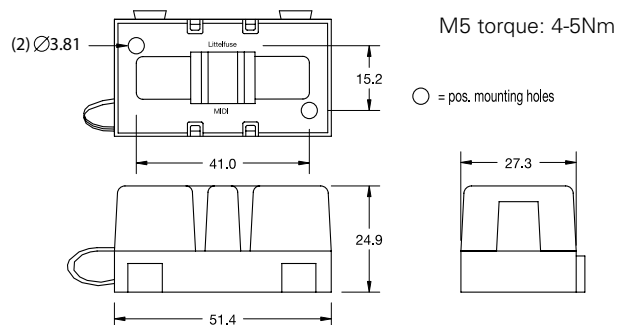
FUSE HOLDER FOR MIDI®/BF1 STYLE FUSE

RoHS



Dimensions

Dimensions in mm



Description

Use with BF1 /MIDI® fuses up to 200A. Includes protective cover. Features interconnecting pins on side of fuse block for secure multiple block configurations. Includes M5 threaded studs and hex nuts with lock washers. Fuse not included.

Ratings

| Part Number | Description | Fuse Rating |
|-------------|--|-------------|
| 04980900ZXT | 330 pcs. | 200 A |
| 04980903ZXT | Holder with mounting brackets - 264 pcs. | 200 A |

Corresponding fuses see Section "Bolt-Down Fuses."

MIDI®/BF1 2 & 3-WAY FUSE HOLDER

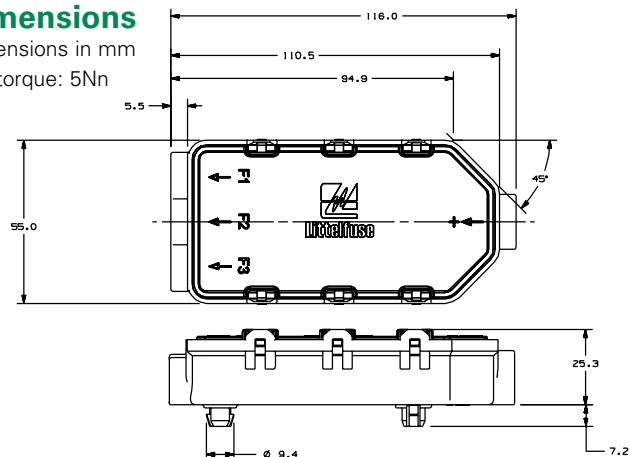
RoHS



Dimensions

Dimensions in mm

M5 torque: 5Nm



Description

This splash-resistant fuse holder with cover can be flexible enough to be used with 2 or 3 MIDI® fuses. A Snap-on fixes the sheet metals in the holder. The holder includes M5 threaded bolts and cover seal. Busbar and cable seals are optional. Fuse not included.

Ratings

| Part Number | Description | Fuse Rating |
|-----------------|--|-------------|
| 0HBF0001ZXBASE3 | Holder complete for 3 way (includes M5 bolts & cover seal) | 200 A |
| 0HBF0001ZXBASE2 | Holder complete for 2 way (includes M5 bolts & cover seal) | 200 A |
| 0HBF0001ZXCOVER | Cover | - |