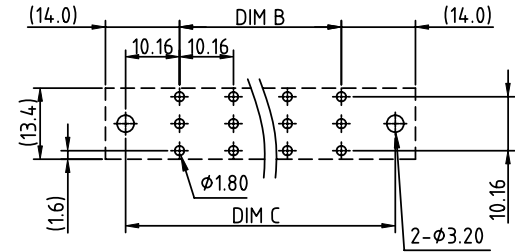
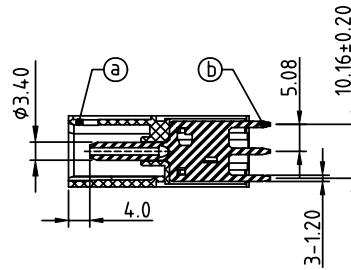
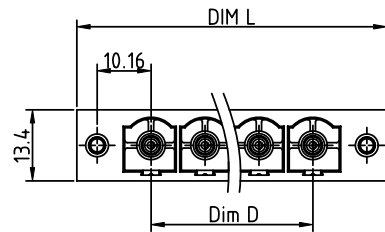
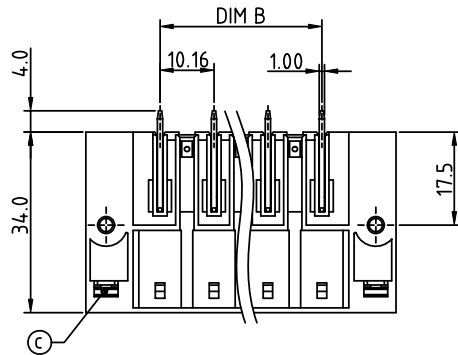
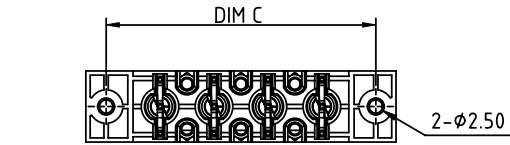


PRODUCT NUMBER	PITCH
EWxx62x000J0G	10.16 mm



RECOMMENDED P.C.B LAYOUT
TOP VIEW

Material:

- Item (a) Terminal(housing):Thermoplastic(UL 94 - V0)
- Item (b) Male contact pin: Copper Gold plated
- Item (c) With flange nut : Steel zinc plated M3

Electrical:

- Voltage rating: 300V
- Current rating: 55A
- Withstanding Voltage: 1.6 KV
- Operating temperature: -40°C to +115°C
- Soldering temperature: 260°C±5°C/5 Sec
- Safety Approval: cULus

Dimension

Dim L	(N+1)×10.16+7.6
Dim B	(N-1)×10.16
Dim C	(N+1)×10.16
Dim D	(N-1)×10.16

N=Number of poles

POLES	Tolerance
2p-5p	±0.25
6p-8p	±0.35
9p-12p	±0.45

PART NO.: EW xx 62 x 0 00J0 G

- | | | | | | |
|---|--------------|----------|-----------------|-------------------|-----------------|
| ↓ | Solid block | 0 | Black (RAL9005) | ↓ | Color |
| ↓ | No. of poles | 2 | Red (RAL3001/D) | ↓ | RoHS compliant |
| ↓ | 02 | 2 poles | 3 | Orange(RAL2011/P) | (lead<4%) |
| ↓ | 03 | 3 poles | 4 | Yellow(RAL1018/A) | In copper Alloy |
| ↓ | ... | ... | 5 | Green(RAL6018/T) | |
| ↓ | 12 | 12 poles | 6 | Blue (RAL5015/A) | |
| | | | 8 | Grey(RAL7035/D) | |
| | | | 9 | White(RAL1102) | |
| | | | C | Green(RAL6018/U) | |

mat'l. code		surface ASME Y14.5	tolerance ASME Y14.5	projection 	product family TERMINAL BLOCK
ltr	ecn no	dr	date	tolerances unless otherwise specified	title TERMINAL BLOCK
				angles X±0.5	PLUGGABLE SOCKET, VERTICAL, WITH FLANGE
				flatness X.X±0.3	scale MM
				total run out X.XX±0.1	FCI logo
dr	EVIN ZHONG	042314			dwg no EWxx62x000J0G
enr	EVIN ZHONG	042314			sheet 1 of 1
chr	HANKE FENG	042314			size A4
appd	SHI JUN	042314			type CUSTOMER Drawing
sheet index	revision	A			
	sheet	1			