

13 12 11 10 9 8 7 6 5 4 3 2 1

MATERIALS AND FINISHES

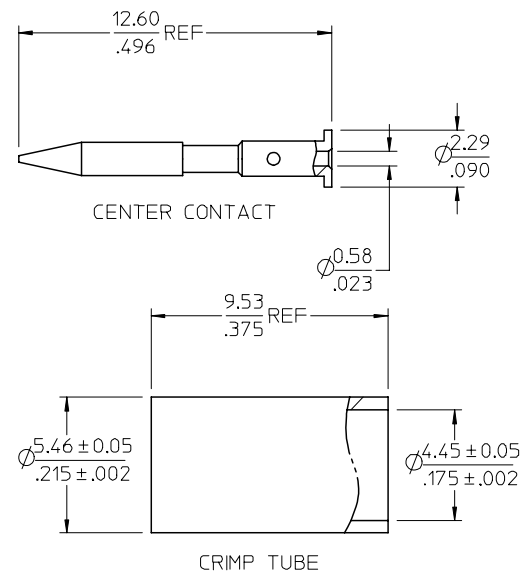
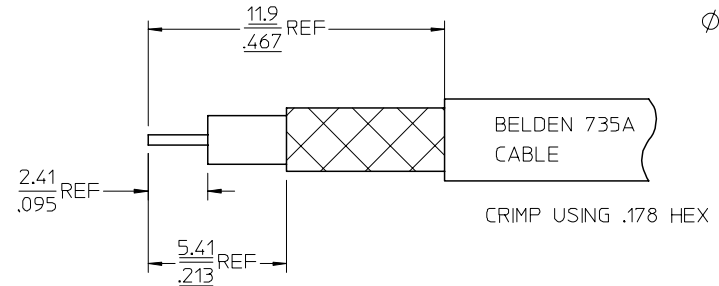
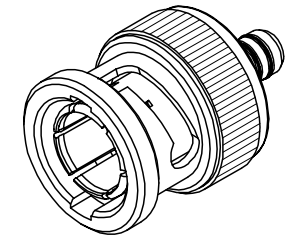
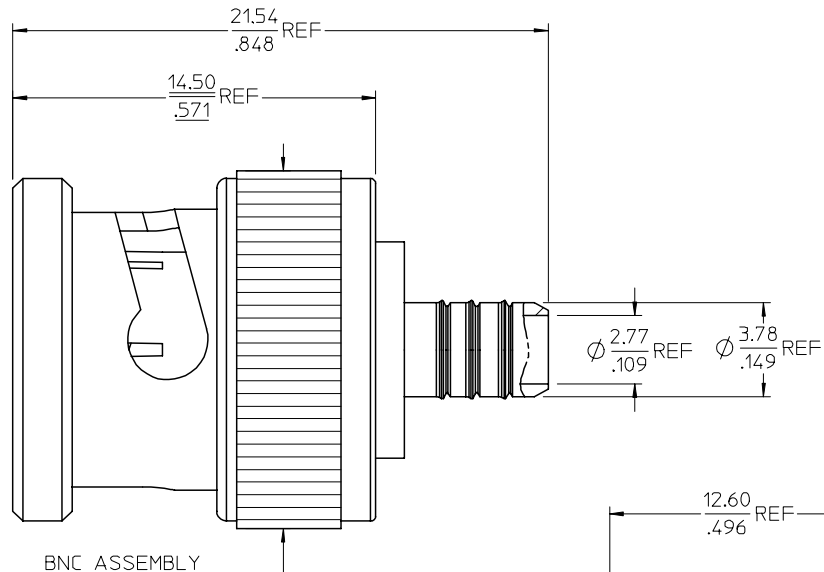
BODY BRASS
PLATED NICKEL (70 MICROINCHES MIN)

CENTER CONTACT BRASS
PLATED GOLD (30 MICROINCHES MIN)

INSULATOR TEFLON

COUPLING NUT: ZINC
PLATED: NICKEL (70 MICROINCHES MIN)

CRIMP TUBE: BRASS
PLATED: NICKEL (100 MICROINCHES MIN)



PART # 73171-1190

SAME AS 73171-1310
WITHOUT SLEEVE

AS-89678-7900	CABLE ASSEMBLY INSTR.
MIL-STD-348A, FIG. 301.1	INTERFACE
SPECIFICATION	DESCRIPTION

CHG: UPDATED BORDER FC NO: URF2007-0195 DRWN: IFLAHERY 2006/11/06 CHKD: SHAH 2006/11/06 APPR: JIMENER 2006/11/06 REV: DESCRIPTION	QUALITY SYMBOLS ▽=0 ▽=0	GENERAL TOLERANCES (UNLESS SPECIFIED) 4 PLACES ± .005 3 PLACES ± .004 2 PLACES ± .003 1 PLACE ± .002 ANGULAR ± 2°	DIMENSION STYLE MM/IN	SCALE DESIGN UNITS METRIC THIRD ANGLE PROJECTION	
	DRAWN BY DATE TEF 2001/06/29 CHECKED BY DATE SSS 2001/06/29 APPROVED BY DATE GMH 2001/06/29	MATERIAL NO. 731711190	TITLE BNC PLUG, STRIAIGHT, 75 OHM FOR 735A CABLE BNC-PC	MOLEX INCORPORATED	DOCUMENT NO. SD-73171-119
DRAFT WHERE APPLICABLE MUST REMAIN WITHIN DIMENSIONS		SIZE C	THIS DRAWING CONTAINS INFORMATION THAT IS PROPRIETARY TO MOLEX INCORPORATED AND SHOULD NOT BE USED WITHOUT WRITTEN PERMISSION		

12 11 10 9 8 7 6 5 4 3 2 1