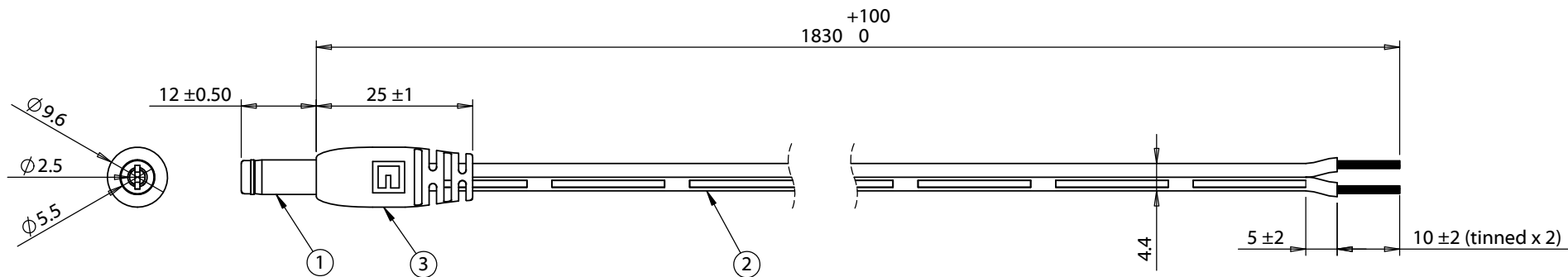





ITEM NO.	PART NUMBER	DESCRIPTION	QTY.	COMPONENT NOTES
1	50-00314	Connector, dc plug, 5.5x2.5xL21mm, brass, nickel plated, molding type, white insulators	1	
2	30-00396	Wire, 2C TS, 18 AWG, UL2468, 300V, 80C, 4.4 mm, VW-1, PVC, 87A, white	1	
3	24-00003	Overmold, PVC, white	1	



Notes:
 Cables individually tied and bundled in groups of 10
 Functionally equivalent components may be substituted
 7 A, 12 Vdc

Wiring Diagram	
50-00314	wire color
center	white with stripe
sleeve	white

Revision:	Date:	Description:	Prepared:	Notes:	 tel 1.541.323.3228 800 877.670.7118 fax 1.541.323.4202 web tensility.com
A	12/11/2015	Initial release	Verified:	RoHS and REACH compliant	
			Dimensions are in millimeters. Tolerances: X: ± 0.5 mm X.X: ± 0.3 mm X.XX: ± 0.05 mm	Function test: no open, no short circuit, no intermittent	
				Description: Cable, 1830 mm, 5.5x2.5x12 mm 50-00314 dc plug to stripped tinned, 18 AWG, 30-00396 wire, white	Size: Part number: A 10-01239
					Scale: 1:2
					  Sheet 1 of 1