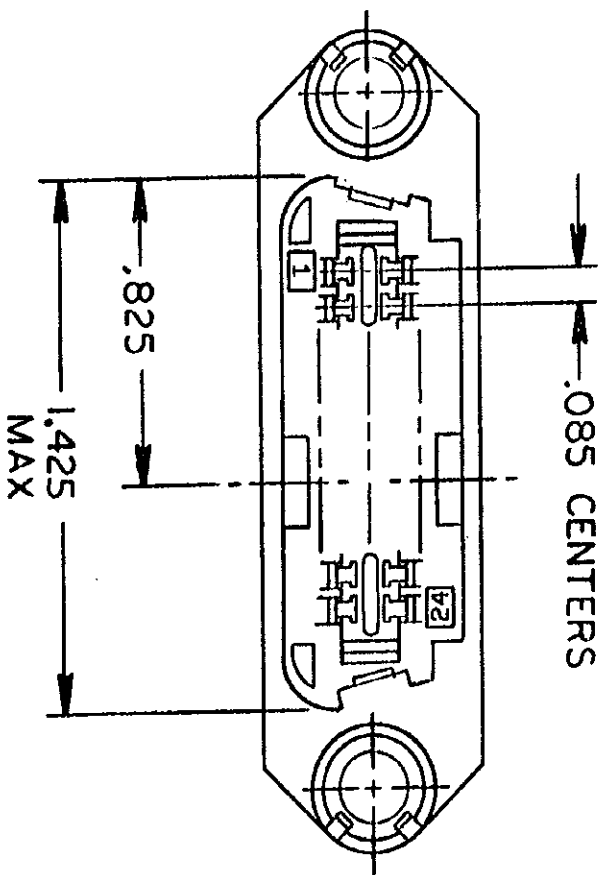
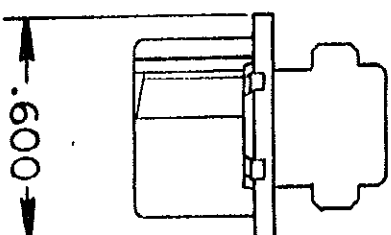
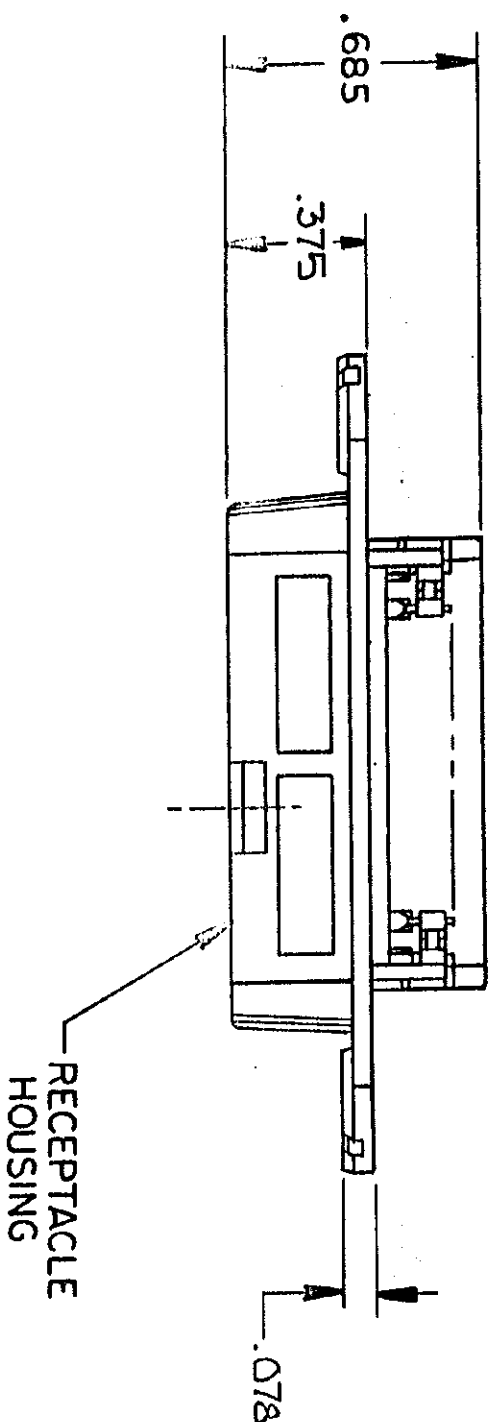
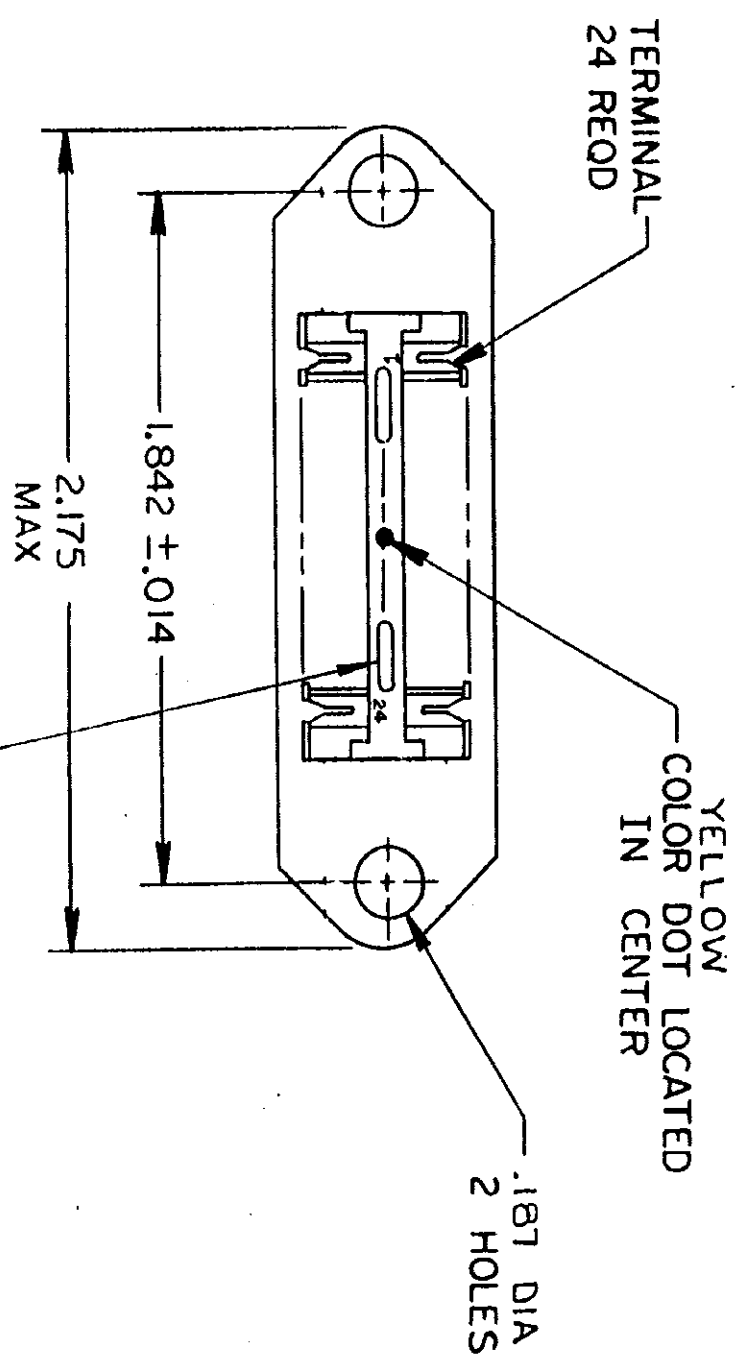


© COPYRIGHT 1974 BY AMP INCORPORATED, HARRISBURG, PA. ALL INTERNATIONAL RIGHTS RESERVED. AMP INCORPORATED PRODUCTS COVERED BY U. S. AND FOREIGN PATENTS AND/OR PATENTS PENDING.

3

2

Loc DIST
AA 20



REVISIONS						
P	F	ZONE	LTR	DESCRIPTION	DATE	APPROVED
H	V	H	-1	SUPERSEDED BY 2/1; EN AA-4739	8/15/80	AKB

1. THE CONTACT SURFACES OF THE TERMINALS ARE COATED WITH LUBRICANT.
2. ALL DIMENSIONS SHOWN ARE FOR REFERENCE ONLY UNLESS OTHERWISE SPECIFIED. MATERIAL: HOUSING - THERMOPLASTIC (BLK) TERMINALS - GOLD OVER NICKEL PLATED HIGH STRENGTH COPPER ALLOY.
3. COATING MAY OR MAY NOT APPEAR AND IS AT THE DISCRETION OF AMP INCORPORATED.
4. WIRE SIZE: 26-27-28 AWG 7 STRANDS OF COPPER CONDUCTORS. MAX INSULATION DIA OF .045 IS ACCEPTABLE FOR MOST APPLICATIONS.

UNLESS OTHERWISE SPECIFIED DIMENSIONS ARE IN INCHES. TOLERANCES ON: DECIMALS ± # ANGLES #		CONTRACT NO		NAME	
MATERIAL		DR 1-2-80		AMP INCORPORATED Harrisburg, Pa	
FINISH		CHK V. S. Shaw 1/13/80		THIN FLANGE 2-552474-1	
APPD B. G. ... 1/13/80		APPD ... 1/13/80		DESCRIPTION	
DSGN APPD		OTHER APPD		PART NO	
SIZE CODE IDENT NO		DRAWING NO		SCALE	
C 00779		552474		2/1	
ASSY, RCPT, 24 POSN, E SLOT (CHAMP-LOK, W/.187 DIA HOLES)		SHEET 1 OF 1		CUSTOMER DRAWING	

552474