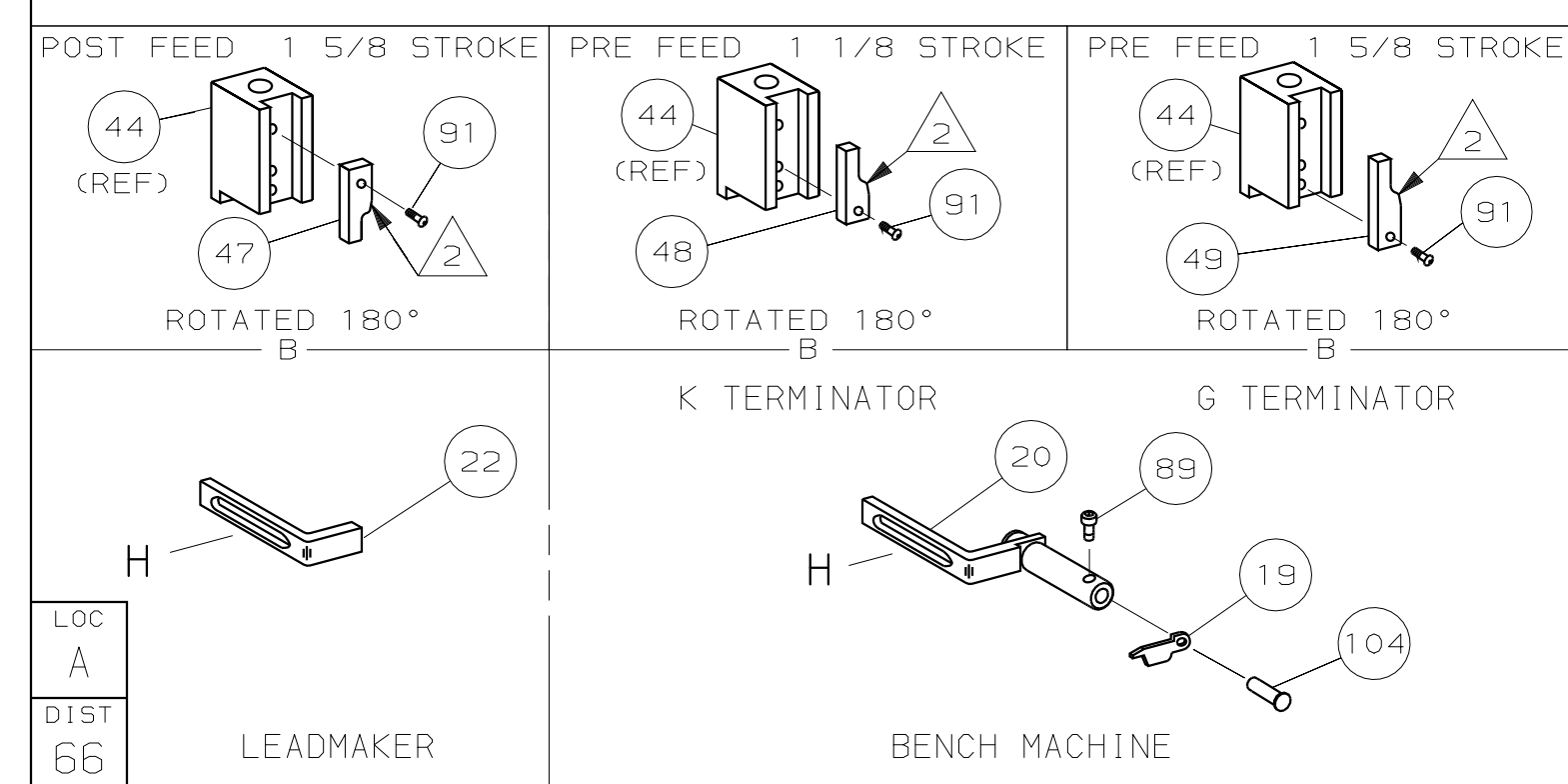
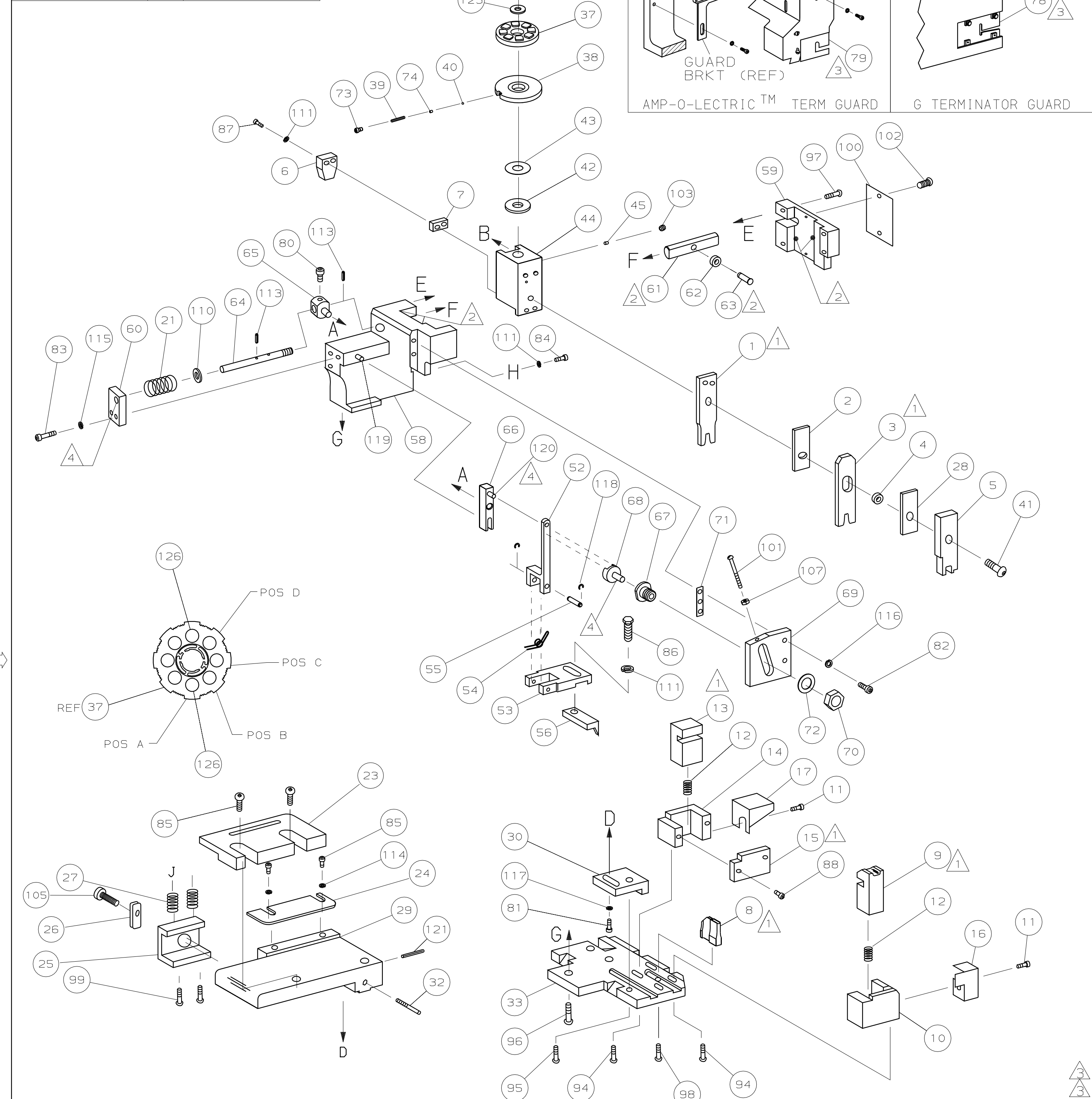


PART NUMBER	REV	FIRST USED
680479-1	A	122500-1
680479-2	A	565435-5
680479-3	A	354500-1



- 1 RECOMMENDED SPARE PARTS.
- 2 GREASE LIGHTLY.
- 3 GUARD MUST BE IN PLACE WHEN OPERATING APPLICATOR IN A BENCH MACHINE.
- 4 LUBRICATE DAILY USING NO. 20 MACHINE OIL.
- 5. ITEMS WITH QTY OF REF SPECIFIED (EXCEPT ITEMS 78 AND 79) ARE USED ON ITEM 46.

TERMINAL NAME: RECEIPT			
286590		CRIMPING DATA	
PAD LTR	CRIMP HEIGHT	WIRE SIZE	
A	.085 ±.002 [2.16 ±0.05mm]	14	
B	NOT	USED	
C	NOT	USED	
D	NOT	USED	
CRIMP SIZE		TYPE	RANGE
WIRE	.100 [2.54mm]	F	14
INSUL	.140 [3.56mm]	0	∅.083-.122
WIRE STRIP LENGTH	TERM APPL SPEC	FEED	APPL INSTRUCTION
.203-.234	NONE	.643	408-8040
SET UP GAGE		LAYOUT	
458637-1		L1945	

QTY	REF	REF	REF	U/M	DWG SIZE	PART NO	DESCRIPTION	ITEM NO
129								129
128								128
127								127
2	2	2	-	C		6-354778-4	PIN, WIRE DISC (.2815)A	126
1	1	1	-	A		986950-1	WASHER, FLAT PRECISION	125
1	1	1	-	A		217238-1	GENERAL INSTRUCTION PACKAGE	124
1	1	1	-	-		4088040	SF APPL INST 408-8040	123
122								122
1	1	1	-	A		4-21028-0	PIN,SLT SPR(∅.093x.75)ST GDE PL	121
REF	REF	REF	-	A		1-21030-1	PIN,DOWEL(∅.187x.50)LEVER	120
REF	REF	REF	-	A		1-21030-6	PIN,DOWEL(∅.187x1.25)HOUSING	119
REF	REF	REF	-	A		21045-3	RING,RET "C"(∅.187)FD FING PIN	118
1	1	1	-	A		21024-5	WASHER, LOCK (#10)ADJ BLOCK	117
REF	REF	REF	-	A		21024-5	WASHER,LOCK(#10)ADJ PLATE	116
REF	REF	REF	-	A		21024-5	WASHER,LOCK(#10)FEED GDE ROD	115
4	4	4	-	A		21024-2	WASHER,LOCK(#4)FRONT STP GUIDE	114
REF	REF	REF	-	A		5-21028-1	PIN,SLT SPR(∅.125x.50)ADJ ROD	113
112								112
2	2	2	-	A		21024-4	WASHER,LOCK(#8)STRIPPER	111
REF	REF	REF	-	A		21899-4	WASHER,FLAT(∅5/16)SCREW ADJ	110
109								109
REF	REF	REF	-	A		21018-5	NUT,HEX(6-32)FEED ADJ	107
106								106
1	1	1	-	A		22353-8	SCR,SHLD(∅.187x.25)DRAG LEVER	105
1	1	-	-	A		992031-1	PIN, CLEVIS	104
1	1	1	-	A		21009-2	SCR,SKT SET(1/4-20x.25 LW)RAM	103
2	2	2	-	A		21017-2	SCR,DRIVE(#2x.19)ID PLATE	102
REF	REF	REF	-	A		6-23715-5	SCR,PAN HD(6-32x1.50)FEED ADJ	101
1	1	1	-	B		461264-1	PLATE, IDENTIFICATION	100
2	2	2	-	A		3-21002-0	SCR,BHC(10-32x.88)DRAG	99
1	1	1	-	A		22733-8	SCR,BHC(8-32x.38 LW)ANVIL	98
REF	REF	REF	-	A		2-21002-9	SCR,BHC(10-32x.75)CAP	97
REF	REF	REF	-	A		2-22733-8	SCR,BHC(1/4-20x.62)HOUSING	96
REF	REF	REF	-	A		2-21002-7	SCR,BHC(10-32x.50)SG ADJ BLOCK	95
4	4	4	-	A		2-21002-2	SCR,BHC(8-32x.50)TERM H DWN	94
93								93
92								92
1	1	1	-	A		1-21002-7	SCR,BHC(6-32x.38)CAM	91
90								90
1	1	-	-	A		7-21000-9	SCR,SHC(4-40x.19)STRIPPER	89
2	2	2	-	A		1-21000-8	SCR,SHC(6-32x.25)R SHEAR PLATE	88
2	2	2	-	A		9-21002-6	SCR,BHC(8-32x.88)DEP-HOLD	87
1	1	1	-	A		2-22603-0	SCR,HEX HD(8-32x.31)FEED FINGER	86
4	4	4	-	A		1-21000-3	SCR,SHC(4-40x.25)F ST GUIDE	85
1	1	1	-	A		2-21000-7	SCR,SHC(8-32x.50)STRIPPER	84
REF	REF	REF	-	A		3-21000-7	SCR,SHC(10-32x.75)FEED ROD GD	83
REF	REF	REF	-	A		3-21000-6	SCR,SHC(10-32x.62)FD ADJ BLK	82
1	1	1	-	A		3-21000-4	SCR,SHC(10-32x.38)SG ADJ BL	81
REF	REF	REF	-	A		3-21000-4	SCR,SHC(10-32x.38)PIVOT BLK	80
-	REF	-	-	B		455749-1	GUARD, WINDOW	79
REF	-	-	-	B		679532-1	INSERT, GUARD	78
77								77
76								76
75								75
1	1	1	-	A		690603-1	SPRING, ASSIST	74
1	1	1	-	A		23030-1	SCR,SHC(6-32x.25 SL)INS DISC	73
REF	REF	REF	-	A		458109-1	WASHER, SPECIAL	72
REF	REF	REF	-	A		690517-1	SPACER	71
71								71
70								70
69								69
68								68
67								67
66								66
65								65
64								64
63								63
62								62
61								61
60								60
59								59
58								58
57								57
56								56
55								55
54								54
53								53
52								52
51								51
50								50
49								49
48								48
47								47
46								46
45								45
44								44
43								43
42								42
41								41
40								40
39								39
38								38
37								37
36								36
35								35
34								34
33								33
32								32
31								31
30								30
29								29
28								28
27								27
26								26
25								25
24								24
23								23
22								22
21								21
20								20
19								19
18								18
17								17
16								16
15								15
14								14
13								13
12								12
11								11
10								10
9								9
8								8
7								7
6								6
5								5
4								4
3								3
2								2
1								1

QTY	REF	REF	REF	U/M	DWG SIZE	PART NO	DESCRIPTION	ITEM NO
1	1	1	-	B		694433-9	PAWL, FEED	56
REF	REF	REF	-	B		240624-1	PIN, FEED FINGER	55
REF	REF	REF	-	B		691499-1	SPRING, FEED FINGER	54
REF	REF	REF	-	B		690541-1	HOLDER, FEED FINGER	53
REF	REF	REF	-	A		455679-1	LEVER, TERMINAL FEED ARM	52
51								51
50								50
49								49
48								48
47								47
46								46
45								45
44								44
43								43
42								42
41								41
40								40
39								39
38								38
37								37
36								36
35								35
34								34
33								33
32								32
31								31
30								30
29								29
28								28
27								27
26								26
25								25
24								24
23								23
22								22
21								21
20								20
19								19
18								18
17								17
16								16
15								15
14								14
13								13
12								12
11								11
10								10
9								9
8								8
7								7
6								6
5								5
4								4
3								3
2								2
1								1

THIS DRAWING IS A CONTROLLED DOCUMENT FOR AMP INCORPORATED. IT IS SUBJECT TO CHANGE AND THE CONTROLLING ENGINEERING ORGANIZATION SHOULD BE CONTACTED FOR THE LATEST REVISION.

THIS INFORMATION IS CONFIDENTIAL AND IS DISCLOSED TO YOU ON CONDITION THAT NO FURTHER DISCLOSURE IS MADE BY YOU TO OTHER THAN AMP PERSONNEL WITHOUT WRITTEN AUTHORIZATION FROM AMP INCORPORATED, HARRISBURG, PA.