

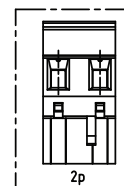
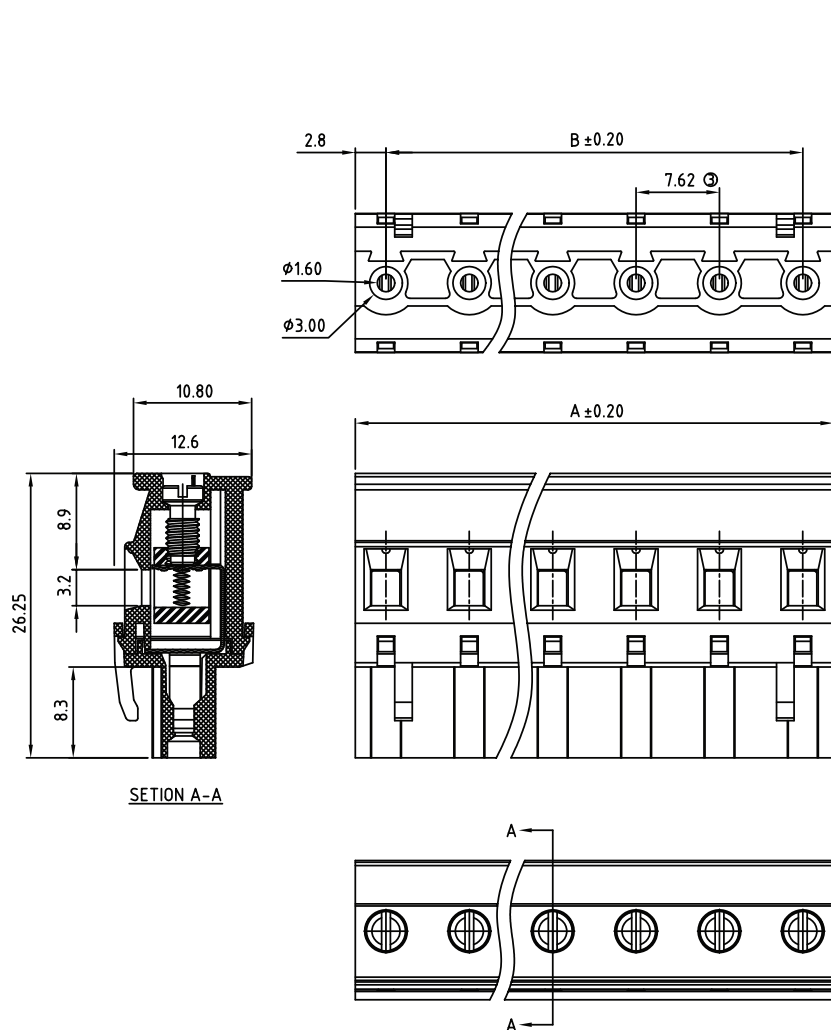
1

2

3

4

5



#### TECHNICAL CHARACTERISTICS

MATERIAL  
 INSULATOR: PA 66  
 FLAMMABILITY RATING: UL94-V0  
 COLOR: GREEN  
 METAL HOUSING: BRASS (CuZn)  
 TERMINAL SCREW: STEEL ZINC PLATING  
 TERMINAL SCREW SLOT TYPE: "I"  
 WIRE GUARD: PhBz TIN PLATED

ENVIRONMENTAL  
 OPERATING TEMPERATURE: -40 UP TO 105°C  
 COMPLIANCE: LEAD FREE AND ROHS

ELECTRICAL  
 CURRENT RATING: 15 A  
 WORKING VOLTAGE: 300 VAC  
 WITHSTANDING VOLTAGE: 1.6 KV  
 CONTACT RESISTANCE: 20 mOhm max

STANDARD  
 ULus CERTIFIED E315414

MECHANICAL  
 SOLID WIRE: 24-12 AWG / 0.2-3.0 MM<sup>2</sup>  
 STRANDED WIRE: 24-12 AWG / 0.2-3.0 MM<sup>2</sup>  
 TORQUE: 4.3 Lb-In / 0.49 Nm

WIRE STRIPE LENGTH: 6-7 MM  
 SCREW: M3.0  
 PITCH: 7.62 MM

PACKAGING  
 BOX

DIMENSION  
 A = (NB. PINS - 1) x PITCH  
 B = (NB. PINS x PITCH) - 2.02

RoHS Compliant

PROJECTION:



GENERAL TOLERANCE

.X =  $\pm 0.2$ .XX =  $\pm 0.15$ 

APPROVAL: FBr

UNIT: MM

SCALE:

SHEET: 1/2

DRAW: MARVIN

DESCRIPTION: SERIE 3524 - 7.62MM HORIZONTAL CABLE ENTRY PLUG  
 WITH HOOK ON WIRE SIDE - 3.0MM<sup>2</sup> WIRES WR-TBL

WERI PART NO: 691 352 410 0xx

SIZE

**A4**

G							
F							
E							
D							
C	13-MAY-16	DRAWING	AK				
B	14-OCT-09	STANDARD	JP				
A	05-NOV-08	PDF	JP				
REV	DATE	FILE	BY				

1

2

3

4

5

## Cautions and Warnings:

This electronic component is designed and developed with the intention for use in general electronics equipments.

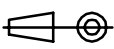

Before incorporating the components into any equipments in the field such as aerospace, aviation, nuclear control, submarine, transportation, (automotive control, train control, ship control), transportation signal, disaster prevention, medical, public information network etc. where higher safety and reliability are especially required or if there is possibility of direct damage or injury to human body, Würth Elektronik must be asked for a written approval.

In addition, even electronic component in general electronic equipments, when used in electrical circuits that require high safety, reliability functions or performance, the sufficient reliability evaluation-check for the safety must be performed before by the user before usage.

A

B

C

RoHS Compliant				PROJECTION: 	GENERAL TOLERANCE .X = +/- 0.2 .XX = +/- 0.15	 <b>WÜRTH ELEKTRONIK</b>	DESCRIPTION: DISCLAIMER	SIZE <b>A4</b>
G								
F								
E								
D								
C				APPROVAL: JC	UNIT: MM	WERI PART NO: DISCLAIMER	SIZE <b>A4</b>	
B				SCALE:				
A	10-SEP-14	PDF	QL	SHEET: 2/2				
REV	DATE	FILE	BY	DRAW: QL				

D