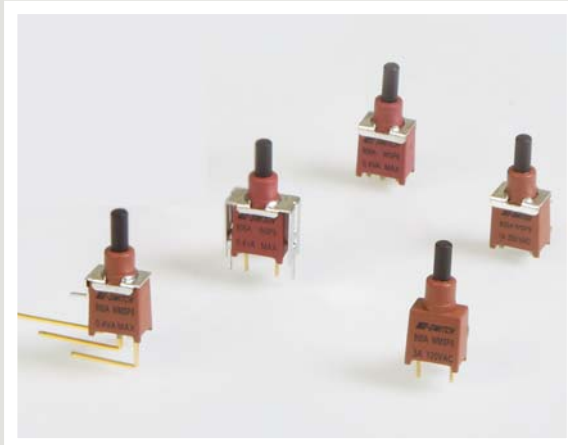




SERIES 800A SWITCHES

PUSHBUTTON SWITCHES - SUB-MINIATURE



SPECIFICATIONS

Contact Rating:	3A @ 120 VAC or 28 VDC 1A @ 250 VAC
Life Expectancy:	50,000 cycles typical
Contact Resistance:	10mΩ 1 max. typical @ 2-4 VDC 100mA for both silver and gold plated contacts
Insulation Resistance:	1,000MΩ 1min.
Dielectric Strength:	1,000 V rms @ sea level
Actuation Force:	200 ± 50 gf
Operating Temperature:	-30°C to +85°C

MATERIALS

Case:	Diallyl Phthalate (DAP)
Plunger:	Glass filled nylon or glass filled polyester
Bushing:	Diallyl Phthalate (DAP)
Housing:	Stainless steel
Contacts:	Silver or Gold plated copper alloy

FEATURES & BENEFITS

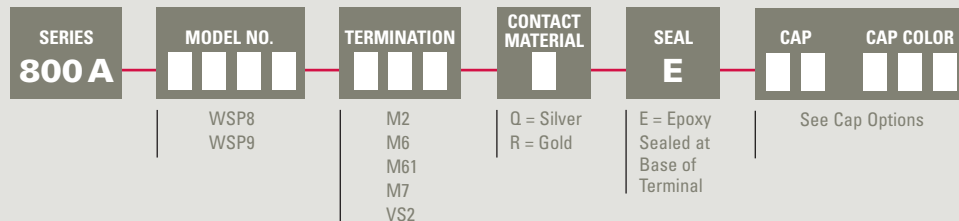
- ▶ Subminiature design
- ▶ Butt contact design
- ▶ IP-67 sealed option

APPLICATIONS/MARKETS

- ▶ Telecommunications
- ▶ Networking
- ▶ Computers/servers
- ▶ Performance audio
- ▶ Instrumentation
- ▶ Low power on/off designs
- ▶ External hard drives and modems



HOW TO ORDER



Example Ordering Number
800A-WSP9-M7-R-E

Specifications subject to change without notice 1.8.2018

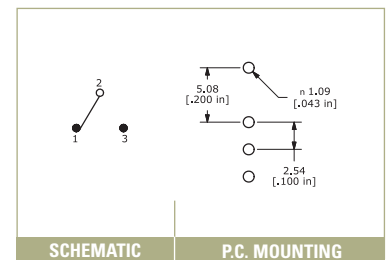
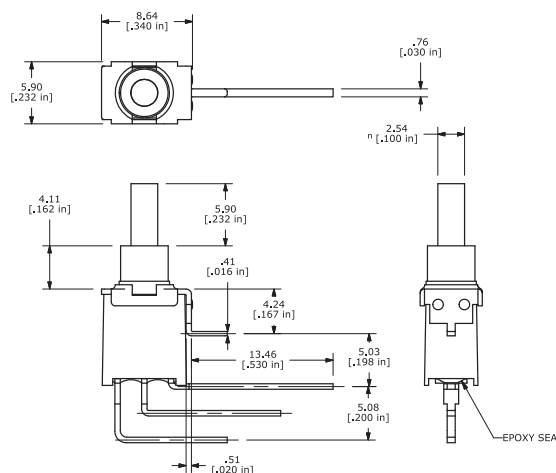
SPDT

WSP8



Model No.	Type
WSP8	ON (ON)
WSP9	OFF (ON)

() = Momentary



SERIES 800A SWITCHES

PUSHBUTTON SWITCHES - SUB-MINIATURE

TACT SWITCHES

NAVIGATION SWITCHES

PUSHBUTTON SWITCHES

TOGGLE SWITCHES

ROCKER SWITCHES

SLIDE SWITCHES

SNAP-ACTION SWITCHES

DIP SWITCHES

KEYLOCK SWITCHES

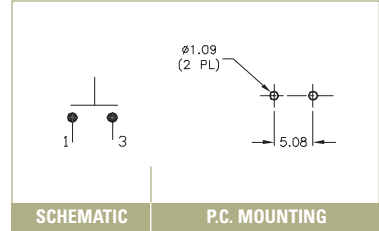
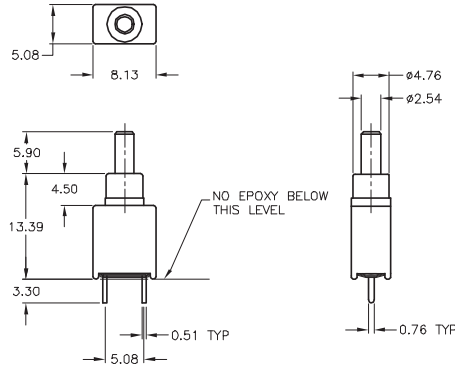
ROTARY SWITCHES

DETECTOR SWITCHES

CAP OPTIONS

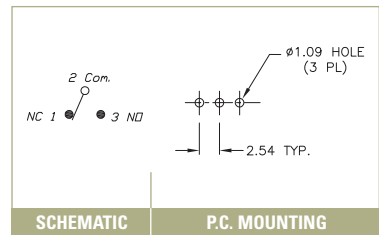
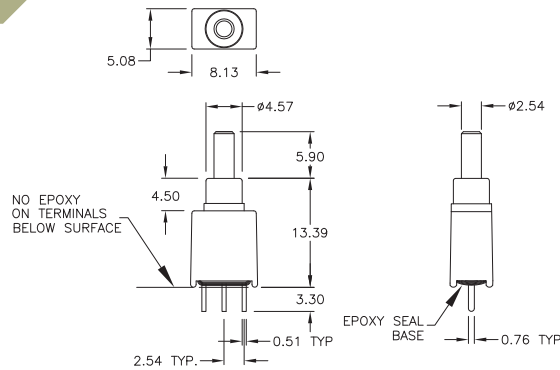
SPST

WSP9



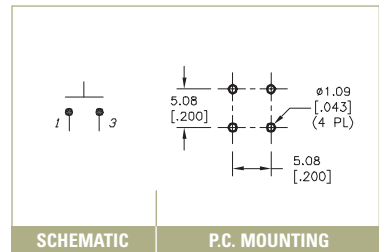
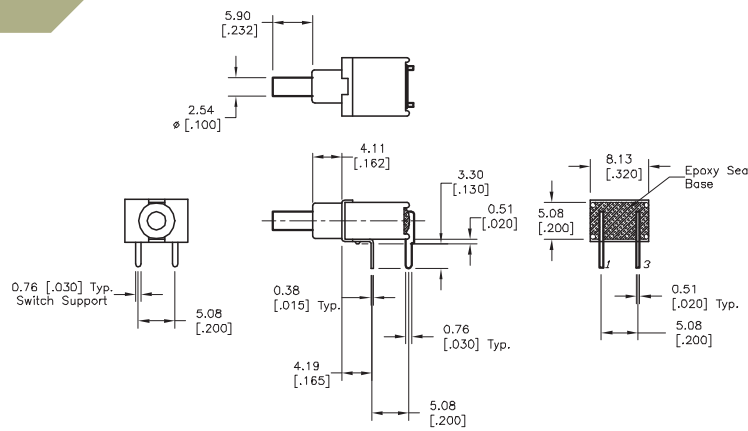
M2

SPST



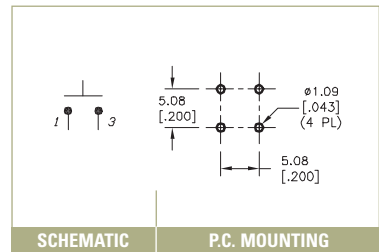
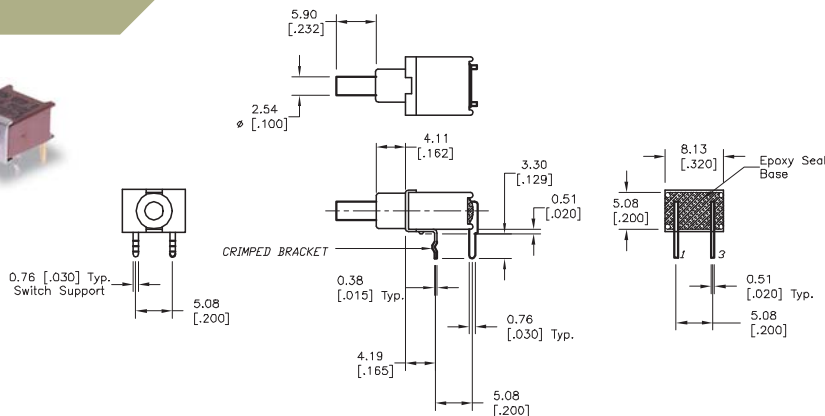
M6

SPST



M61

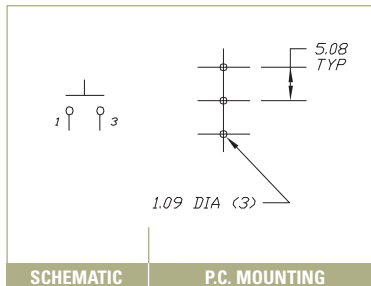
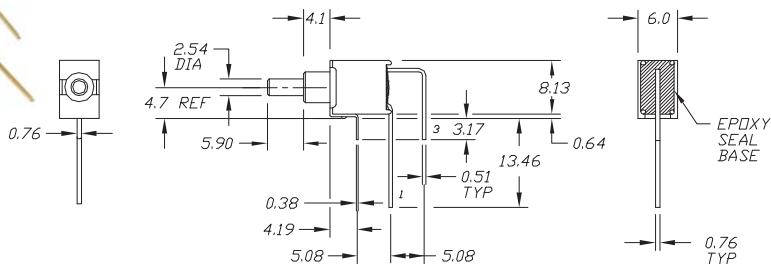
SPST





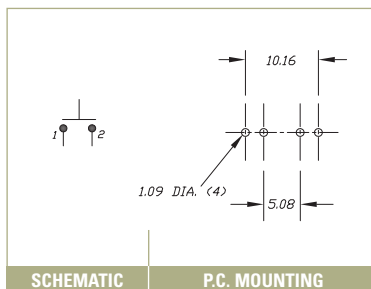
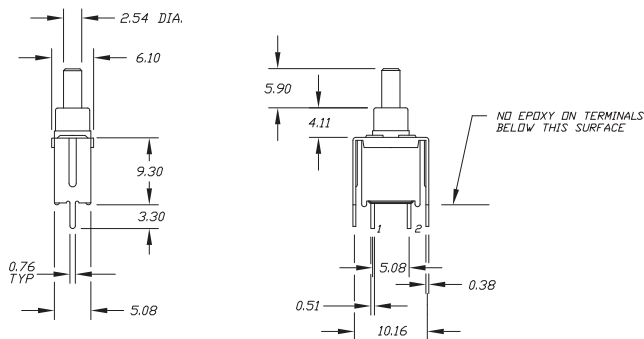
M7

SPST



VS2

SPST



CONTACT MATERIAL OPTIONS

Q

Fixed Terminal:	Silver plated copper alloy
Moving Contact:	Silver plated copper alloy
Rating:	3A @ 120 VAC or 28 VDC 1A @ 250 VAC

R

Fixed Terminal:	Copper alloy with gold plate over nickel plate
Moving Contact:	Copper alloy with gold plate over nickel plate
Rating:	0.4 VA max. @ 20 VAC or DC max.