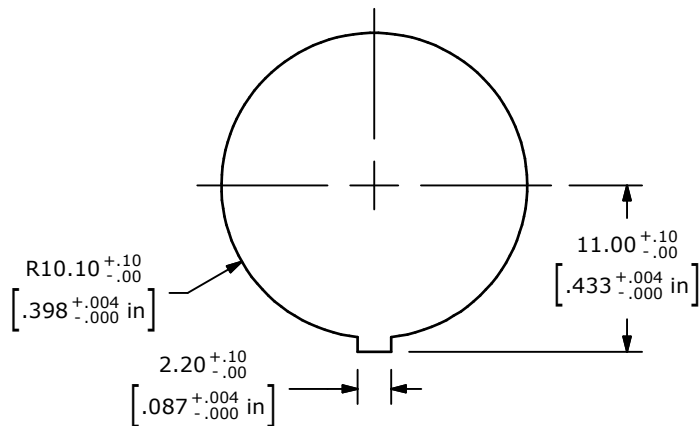
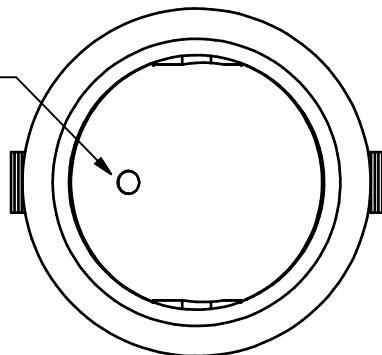


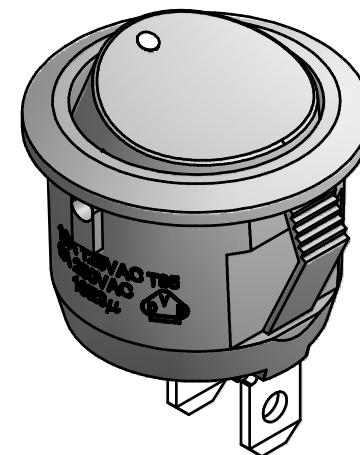
▲ FULL SOLID DOT PRINTED WHITE



CIRCUIT: SPST
(MOMENTARY)

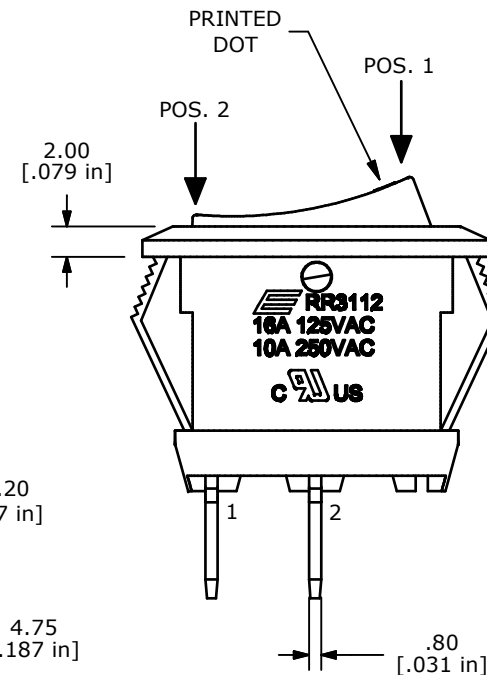
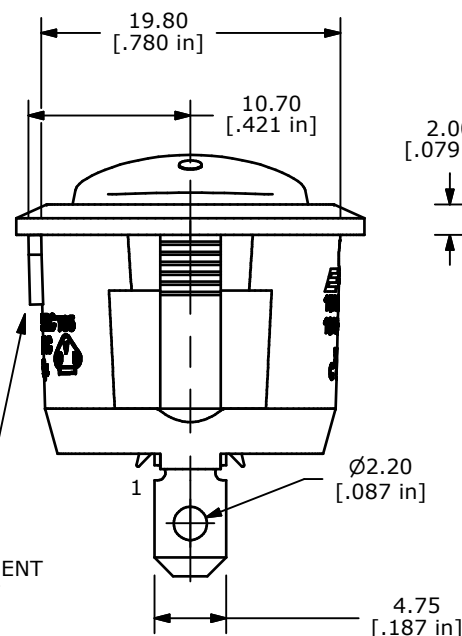
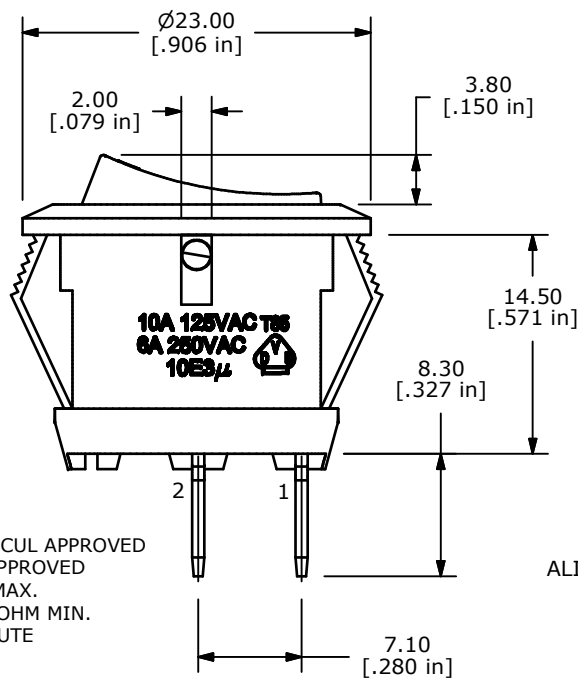


RECOMMENDED PANEL MOUNTING



SWITCH FUNCTION	
POS. 1	POS. 2
(ON)	OFF
2-1	OPEN

(ON) = MOMENTARY



- NOTES:
- ALL DIMENSIONS IN MM [INCH]
 - GENERAL TOLERANCE: x.x=±0.4
x.xx=±0.25
 - TERM. NOS. FOR REF. ONLY
 - RATING:
16A @ 125VAC, 10A @ 250VAC : UL & CUL APPROVED
10A @ 125VAC, 6A @ 250VAC : VDE APPROVED
 - CONTACT RESISTANCE: 50 MILLI-OHMS MAX.
 - INSULATION RESISTANCE: DC 500V 100 OHM MIN.
 - DIELECTRIC STRENGTH: AC 1500V 1 MINUTE
 - OPERATING TEMP: -20°C TO 85°C
 - PANEL THICKNESS: 3.0 mm MAX.
 - ▲ DENOTES CRITICAL PARAMETER
 - 2002/95/EC (ROHS) COMPLIANT
 - PACKAGE: 1,000 PCS. PER BAG



A	18330	RELEASE FOR PRODUCTION	11/26/08	BLR
REV	PCR NO	DESCRIPTION	DATE	BY

TITLE RR3112FBLKBLKNAF0				
SCALE	DATE	DR	DWG	REV
2:1	11/26/2008	BLR	F130460	A

THE INFORMATION CONTAINED IN THIS DOCUMENT IS PROPRIETARY TO E-SWITCH AND IS NOT TO BE COPIED OR TRANSFERRED