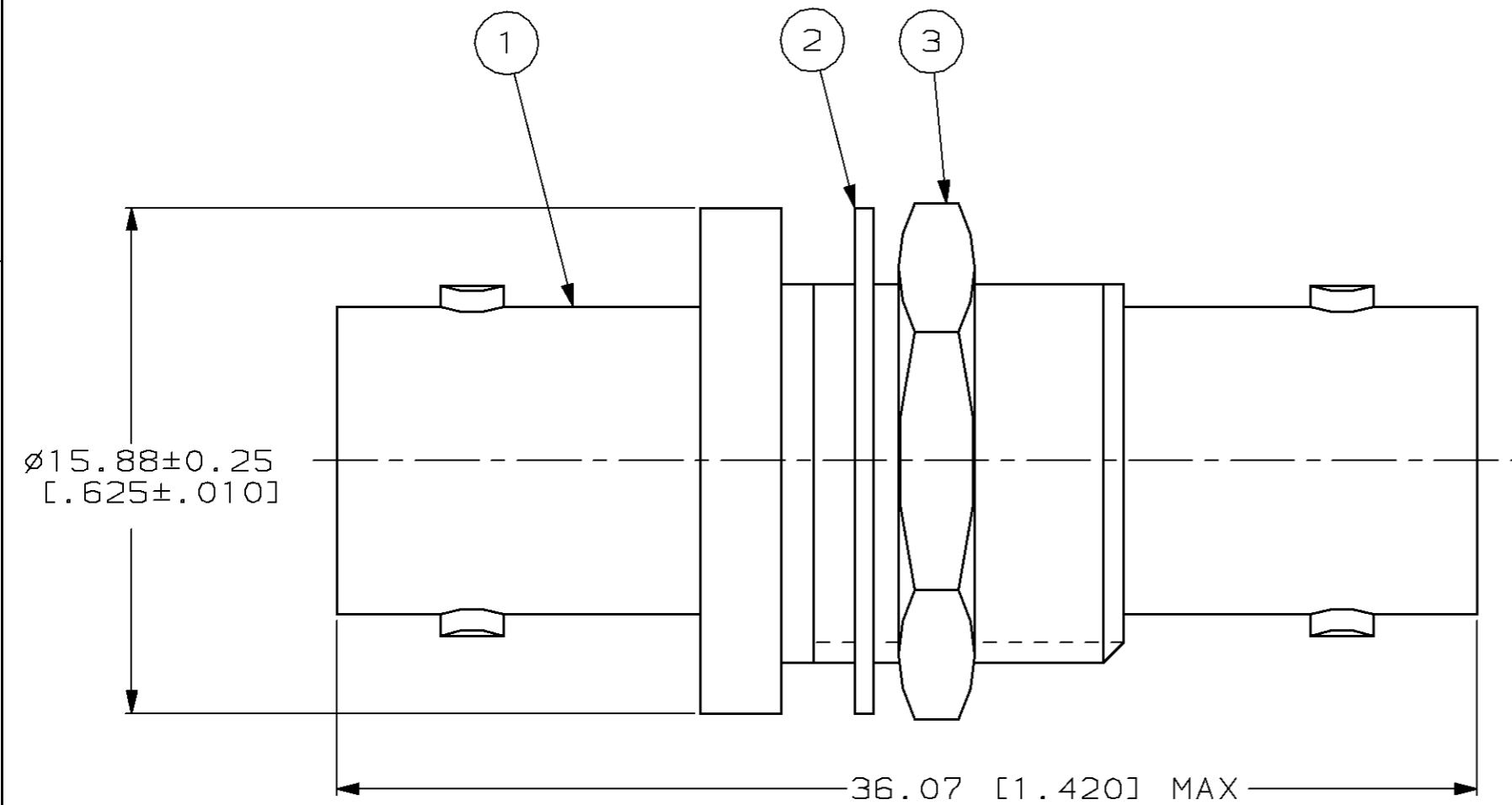
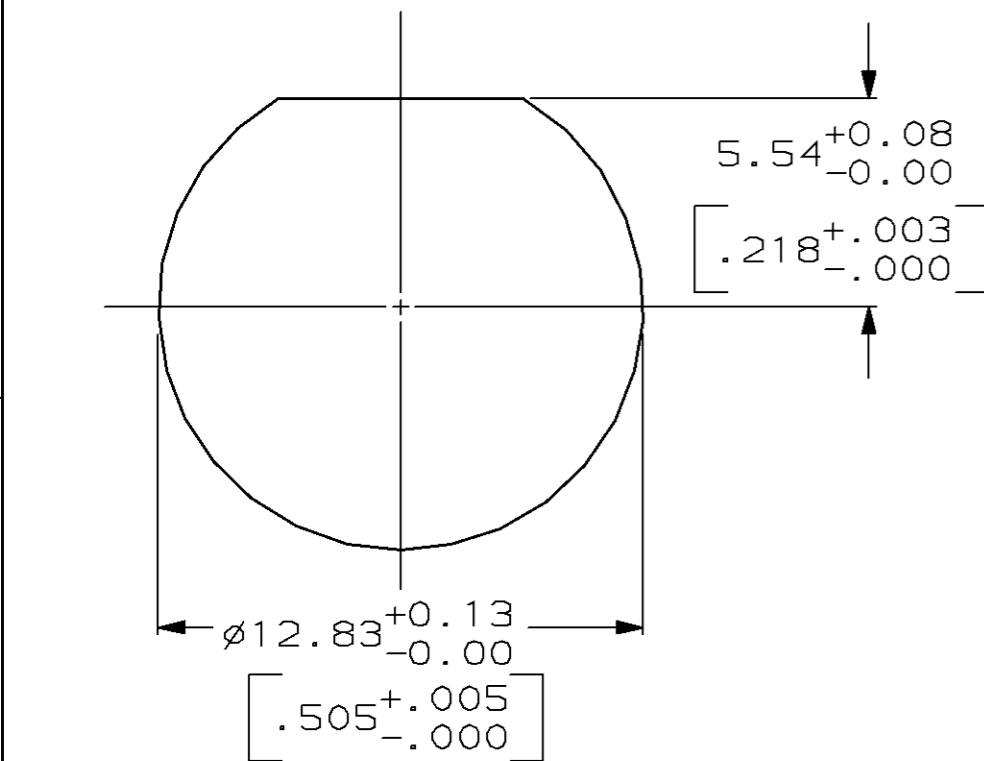


THIS DRAWING IS UNPUBLISHED. RELEASED FOR PUBLICATION, 19 .
 © COPYRIGHT 19 BY AMP INCORPORATED. ALL INTERNATIONAL RIGHTS RESERVED.

LOC	DIST	P	F	REVISIONS				
				ZONE	LTR	DESCRIPTION	DATE	APPD
AJ	16	✓	✓		0	RELEASED PER 90-3140-003	6-10-91	MS
		✓	✓		A	REV PER AJ-5833	11/05/91	BM
		✓	✓		B	ADDED -2 PER 92-3586-003	5-27-92	MS
		✓	✓		C	REV PER AJ-6374	6-4-92	MS
					D	OBSOLETE -2 PER 0503-0285-96	5-19-97	JG



1. PANEL THICKNESS 6.34 [0.250] MAX.



RECOMMENDED PANEL CUTOUT

OBSOLETE	SILVER	1-329631-2	1-329632-2	414136-2	414105-2
	GOLD	1-329631-2	1-329632-2	414136-1	414105-1
CONTACT FINISH	(3) JAM NUT QTY=1	(2) LOCKWASHER QTY=1	(1) JACK ASSY QTY=1	PART NO	

PART NO		
DO NOT SCALE PRINT. UNLESS SPECIFIED DIMENSIONS IN mm [INCHES] TOLERANCES ON: 2 PLC DEC ± - 3 PLC DEC ± - ANGLES ± -		DR 6-10-91 M. SNEED
MATERIAL	CHK 6-10-91 R. HENRY	APPD 6-10-91 R. HENRY
FINISH	APPD 6-10-91 M. SNEED	PRODUCT SPEC
	APPLICATION SPEC	WEIGHT -
AMP Incorporated Harrisburg, PA 17105-3608		NAME JACK, ADAPTER, BHD, 50 OHM, ISOLATED, BNC
SIZE B	CAGE CODE 00779	DRAWING NO 414105
SCALE 5:1	SHEET 1 OF 1	