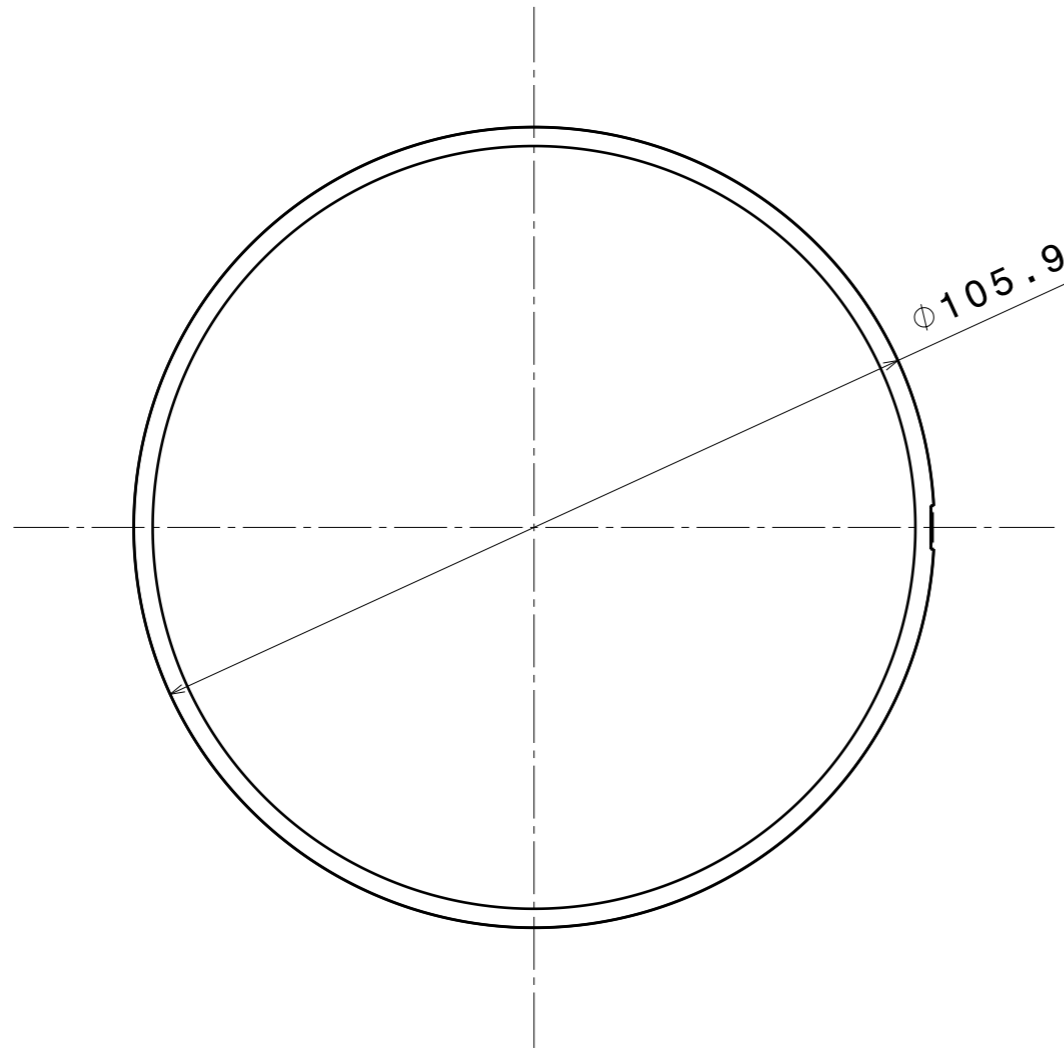
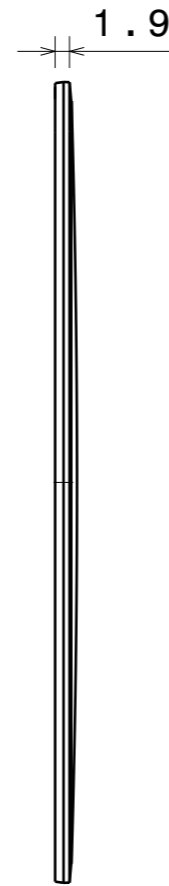


NOTE: Please ensure that the gate cutting area is not aligned with any of the reflectors retaining clips when assembling the lens in place.

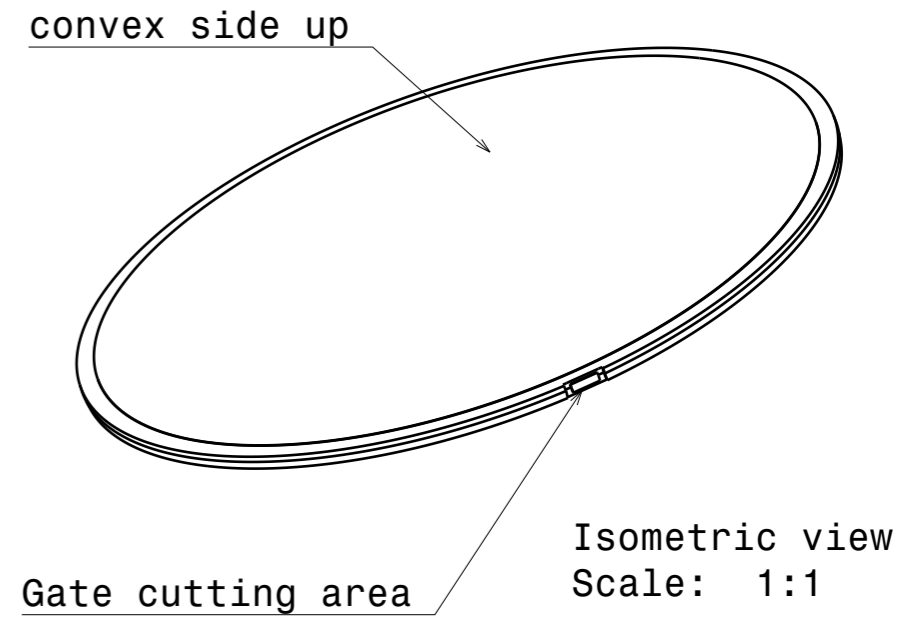
ANGELETTE-LENS can be used together with all ANGELETTE family products where product order code is not ending with '-PLAIN'



Front view
Scale: 1:1



Left view
Scale: 1:1



Tolerances if not otherwise shown
According to DIN ISO 2768-1
Linear measures:
Up to 30mm class M, otherwise class C.
According to DIN ISO 2768-2
Form and position: class L

LEDiL LediL Oy
Salorankatu 10
FIN 24240 SALO
Finland

THIRD ANGLE PROJECTION:

DRAWING TITLE
DATASHEET_ANGELETTE-LENS

This drawing is the property of LEDiL Oy. It may not be reproduced, copied or communicated without a written agreement with LEDiL Oy.

SIZE	PART NUMBER
A3	F15176

SCALE	1:1	WEIGHT		SHEET	1/1
-------	-----	--------	--	-------	-----

4

3

2

1

4

3

2

1

H

G

B

A