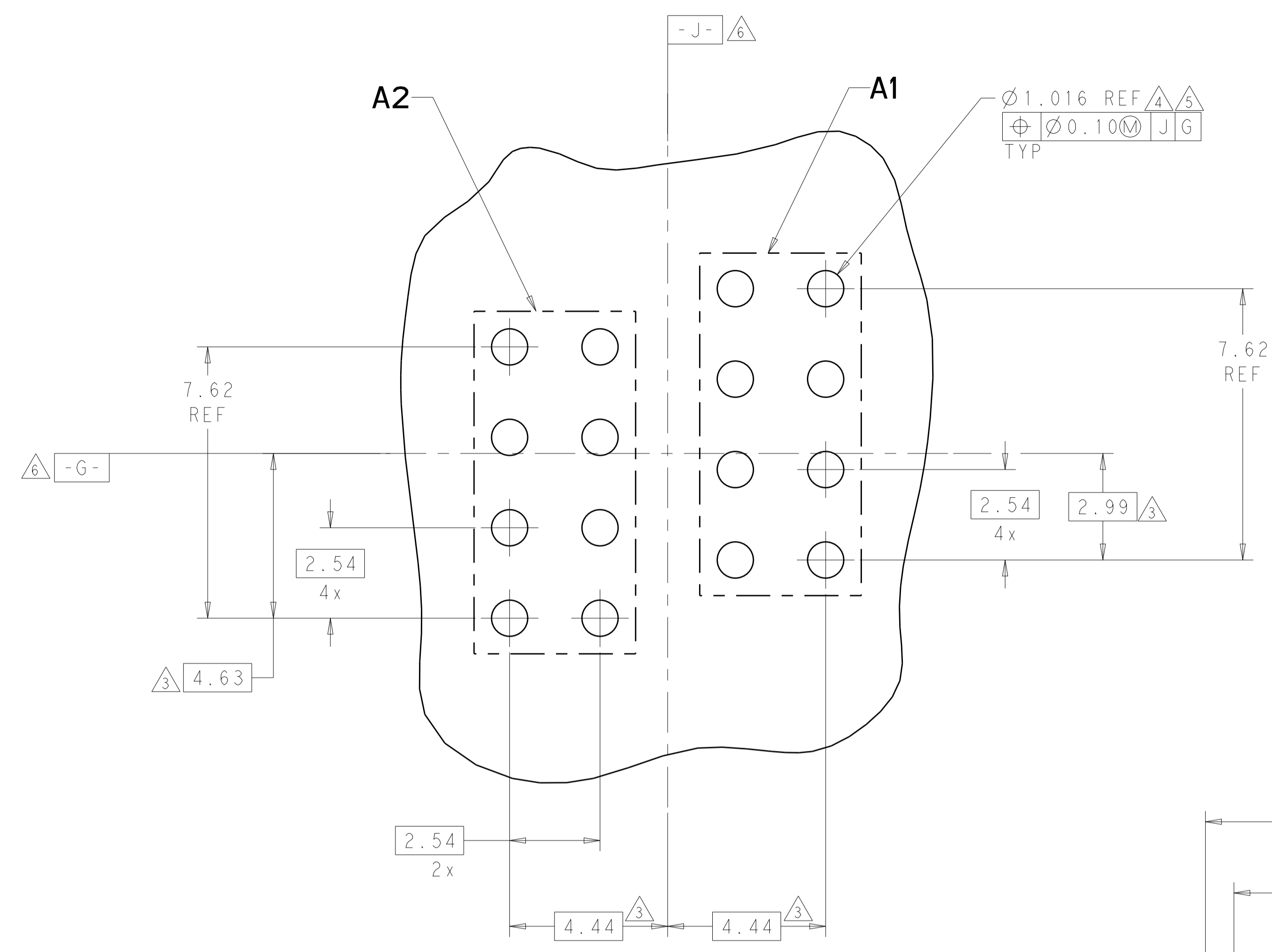
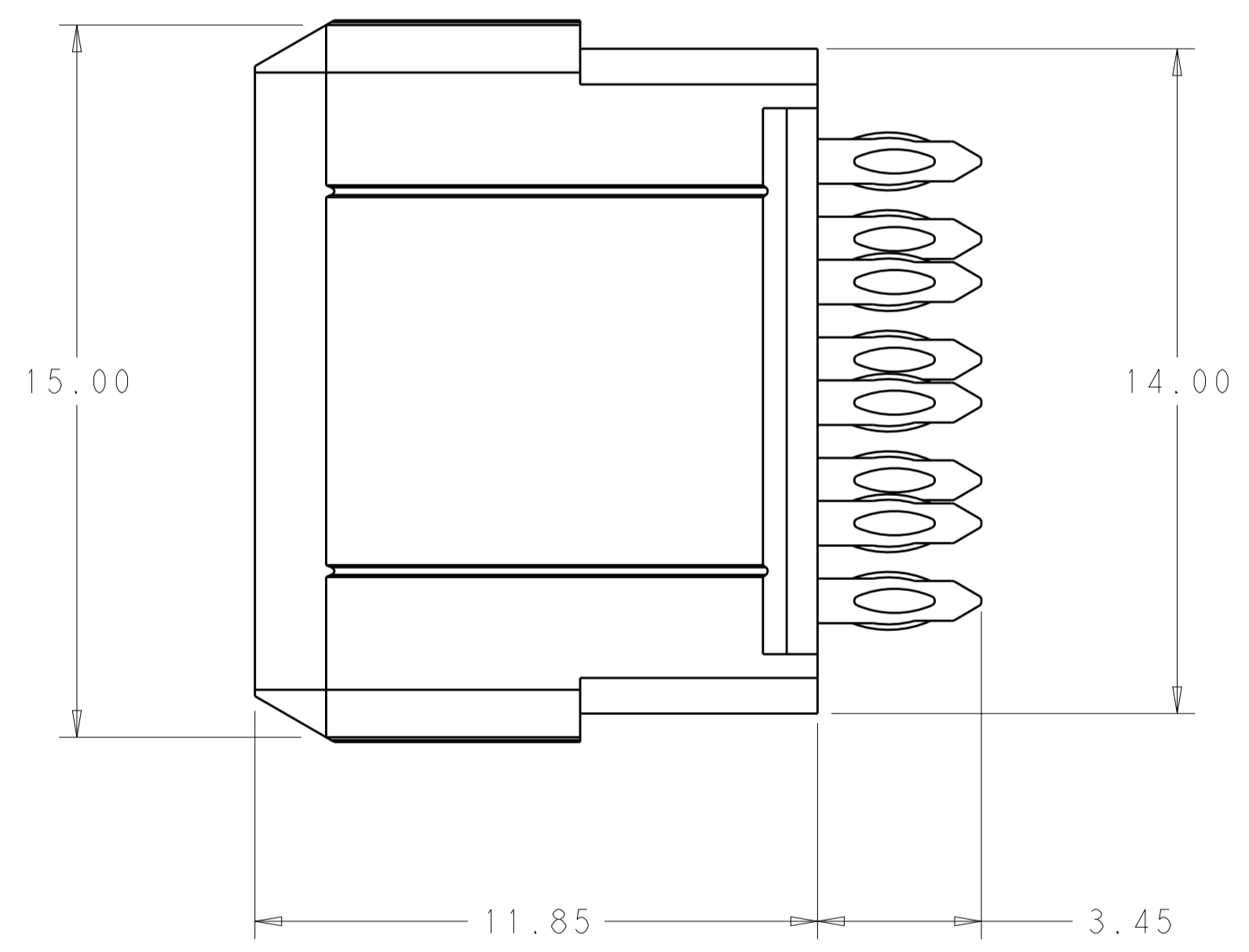
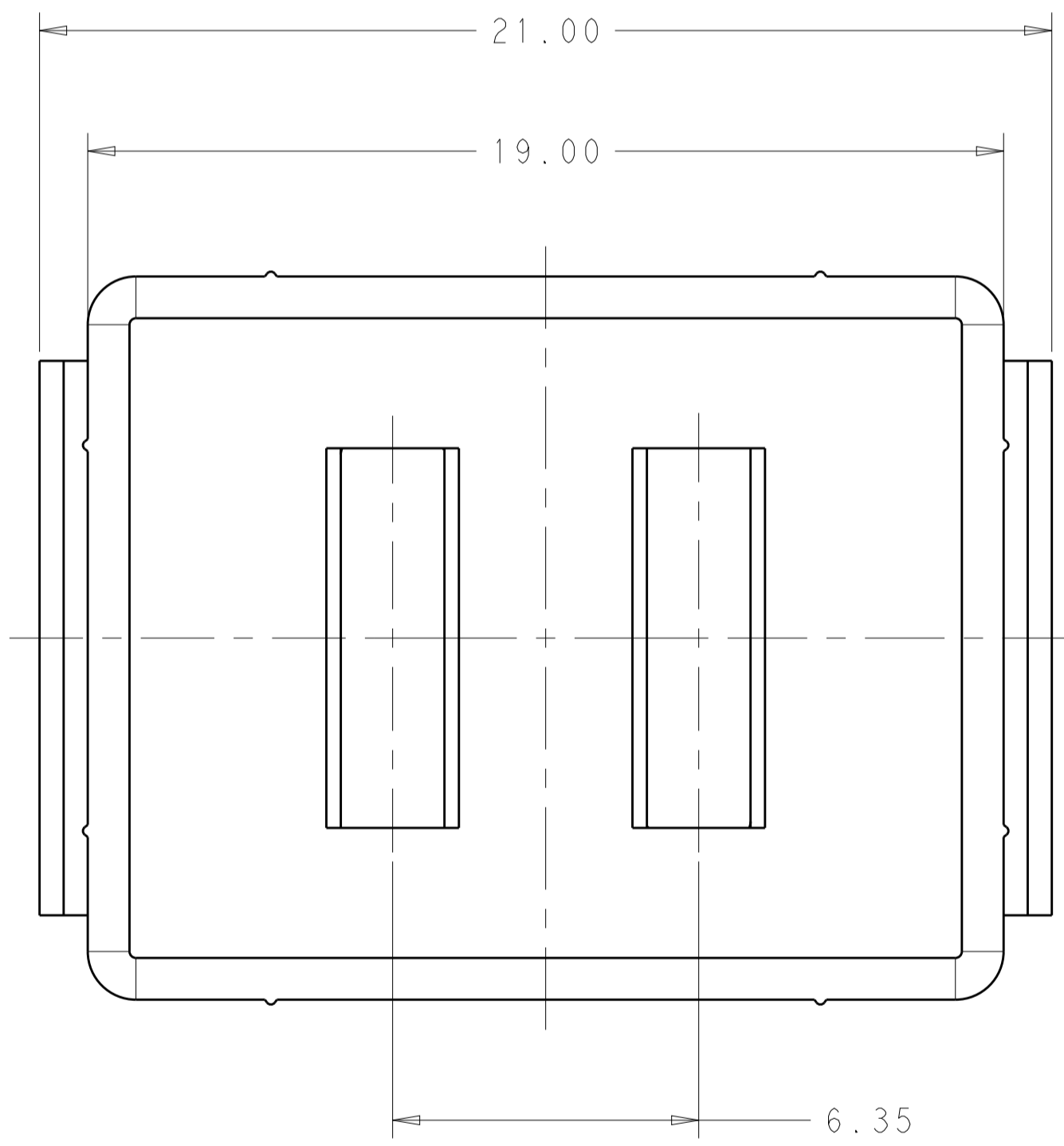


LOC	DIST	REV	DATE	BY	CHK	APPV
-	-	C	12-15-14	CT	DH	
-	-	D	30MAR2016	RS	CT	



RECOMMENDED PC BOARD LAYOUT
 COMPONENT SIDE SHOWN
 SCALE 10:1



- ① MATERIAL:
 CONTACT - COPPER ALLOY
 HOUSING - LCP, COLOR - BLACK
- ② FINISH:
 MATING AREA: 0.76µm MIN GOLD OVER
 1.27µm MIN NICKEL
 COMPLIANT PIN AREA: 2.54µm MIN MATTE TIN
- ③ DIMENSION APPLIES TO CENTERLINE OF THRU HOLE.
- ④ PCB - ALL HOLE DIAMETERS ARE FINISHED HOLE SIZES.
- ⑤ REFERENCE APPLICATION SPEC 114-13251 FOR RECOMMENDED PLATED THRU HOLE DIAMETER AND PLATING THICKNESS.
- ⑥ REFERENCE PRINT 2102428 FOR DIMENSIONS.

THIS DRAWING IS A CONTROLLED DOCUMENT.		OWN D. BELACK	10MAR2011	2102442-1	
DIMENSIONS: mm		CHK K. THACKSTON	APVD M. McALONIS	NAME HIGH POWER, METAL SHELL LRU, VERTICAL SOCKET MODULE	
TOLERANCES UNLESS OTHERWISE SPECIFIED: 0 PLC ±0.13 2 PLC ±0.10 3 PLC ±0.10 4 PLC ±0.10 ANGLES ±2°		PRODUCT SPEC 108-2474	APPLICATION SPEC 114-13251	SIZE A100779	DRAWING NO C=2102442
MATERIAL SEE TABLE		WEIGHT ~ 4.93g	CUSTOMER DRAWING	SCALE 8:1	SHEET 1 OF 1 REV D