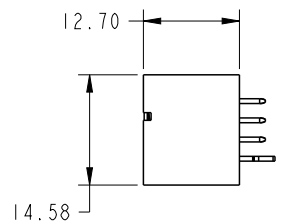
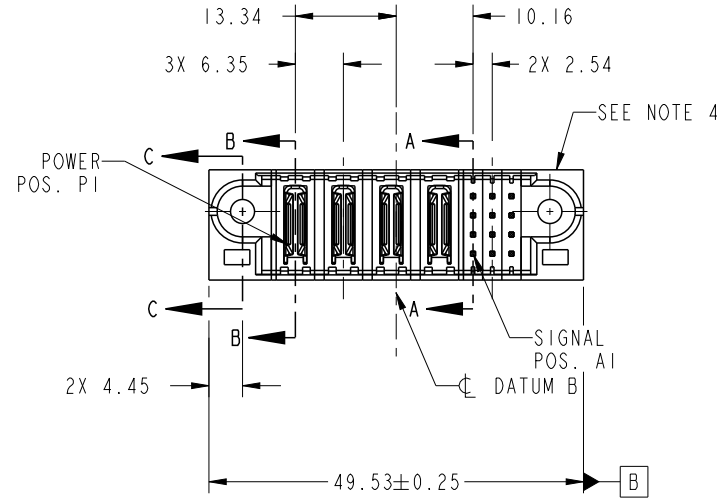
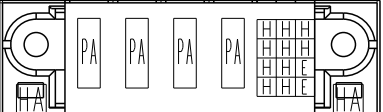


PRODUCT NO. 51952-208-- NOTE ③	ROWS DCBA	POWER				SIGNAL		
		E1	P1	P2	P3	P4	1	2



CODE	DIM "M" MATING LENGTH	CONTACT TYPE
PA	[N/A]	POWER
H	[5.59]	SIGNAL
HA	[N/A]	HOLD-DOWN
E	[6.86]	SIGNAL

spec ref	See Notes		dr	Guang, Shi	2012/02/29	projection 	MM 	size	A4	scale	1:1
tolerance std	TOLERANCES UNLESS OTHERWISE SPECIFIED		eng	Guang, Shi	2012/04/01			ecn no	-		
See Notes			chr	-	-			rel level	Released		
surface	linear	0.X	±0.50	FCj www.fci.com	4P + 12S VERTICAL SOLDER HEADER	product family	PwrBlade	rel level	Released	rev	A
		0.XX	±0.25								
	0.XXX	±0.10									
	angular	0°	±2°	cat. no.	-	Product - Customer Drw	sheet 1 of 4				

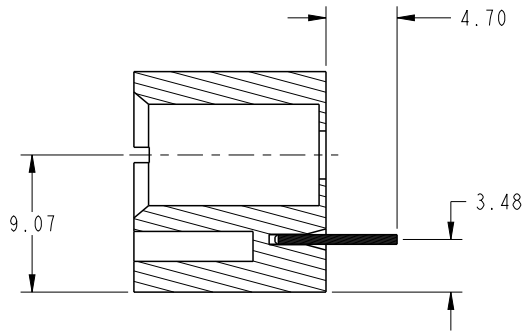
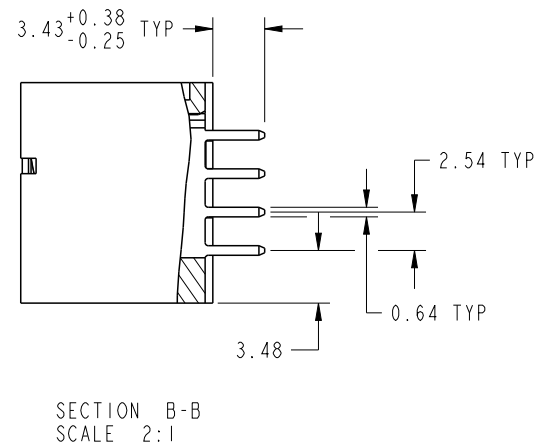
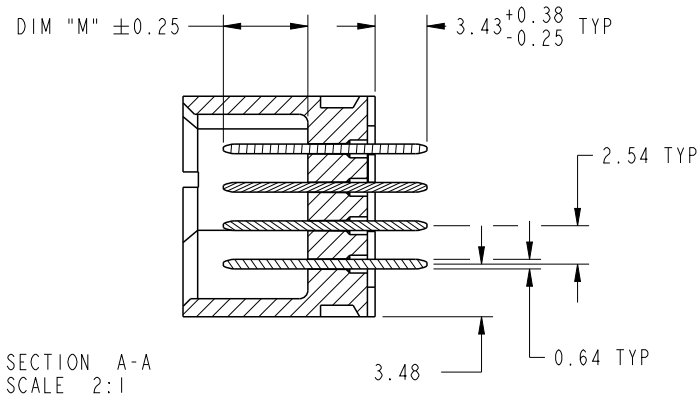


Copyright FCI.

PrdE File - REV C - 2009-06-09

PRODUCT NUMBER

51952-208\_\_  
NOTE 3



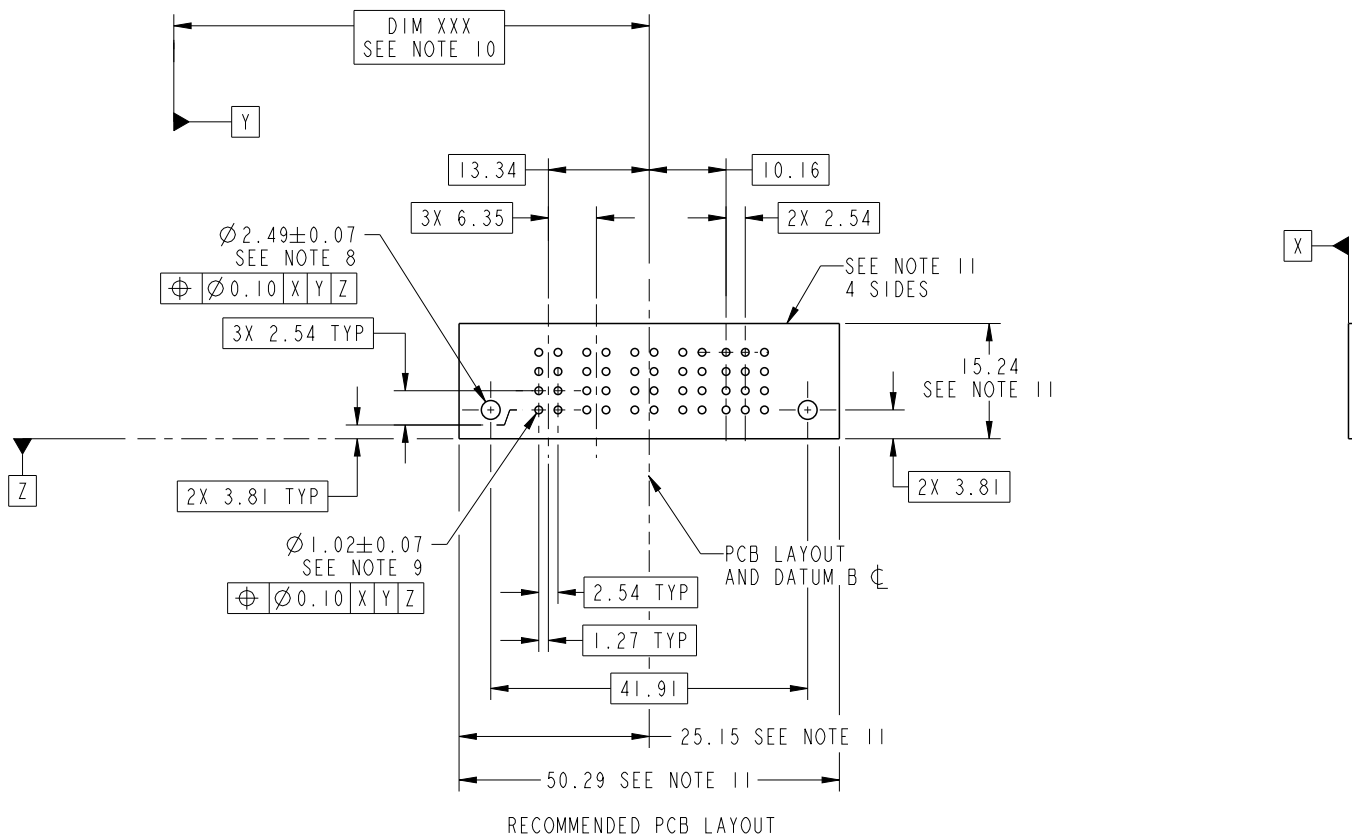
dr	Guang, Shi	2012/02/29	projection 	MM 	size	A4	scale	1:1
eng	Guang, Shi	2012/04/01			ecn no	-		
chr	-	-			rel level	Released		
appr	Pei-Ming Zheng	2012/04/09	product family	PwrBlade	rev	A		
	title	4P + 12S VERTICAL SOLDER HEADER		dwg no	51952-208	sheet 2 of 4		
www.fci.com	cat. no.	-	Product - Customer Drw					



Copyright FCI.

PRODUCT NUMBER

51952-208\_\_  
NOTE 3



RECOMMENDED PCB LAYOUT

dr	Guang, Shi	2012/02/29	projection 	MM 	size	A4	scale	1:1
eng	Guang, Shi	2012/04/01			ecn no	-		
chr	-	-			rel level	Released		
appr	Pei-Ming Zheng	2012/04/09	product family	PwrBlade	rev	A		
	title	4P + 12S VERTICAL SOLDER HEADER		dwg no	51952-208	sheet 3 of 4		
www.fci.com	cat. no.	-	Product - Customer Drw	sheet 3 of 4				

PRODUCT NUMBER

51952-208\_\_  
NOTE 3

NOTES:

1. DIMENSIONS AND TOLERANCES ARE IN ACCORDANCE WITH ASME Y14.5M, 1994 UNLESS OTHERWISE SPECIFIED.

CONNECTOR NOTES:

- ② HOUSING MATERIAL: UL 94 V-0 GLASS FILLED HIGH-TEMP THERMOPLASTIC  
POWER CONTACT MATERIAL: COPPER ALLOY  
SIGNAL PIN MATERIAL: COPPER ALLOY
  - 3. SEE ITEM 1 & 2 IN PRINT 10064183 FOR PLATING SPEC OF 51952-208 AND 51952-208LF RESPECTIVELY.
  - ④ MANUFACTURER'S NAME, DATE CODE AND OPTIONAL P/N TO APPEAR ON THIS SURFACE. THE P/N CAN BE OMITTED IF THERE IS NOT ENOUGH SPACE ON THIS SURFACE.
  - 5. PRODUCT SPECIFICATION GS-12-149.  
APPLICATION SPECIFICATION BUS-20-067.
  - 6. PACKAGED IN TRAYS.
- PCB NOTES:
- 7. ALL HOLE DIAMETERS ARE FINISHED HOLE SIZE.
  - 8. MOUNTING HOLES, WHERE APPLICABLE, ARE UNPLATED.
  - ⑨  $\varnothing 1.151 \pm 0.025$  DRILLED HOLES PLATED WITH 0.008 MIN SnPb OR Sn OVER .001 [0.03] TO 0.08 Cu PLATING TO ACHIEVE  $\varnothing 1.02 \pm 0.07$  HOLE.
  - ⑩ "DIM XXX" TO BE DETERMINED BY THE CUSTOMER.
  - ⑪ CONNECTOR KEEP-OUT ZONE.

dr	Guang, Shi	2012/02/29	projection 	MM 	size	A4	scale	1:1
eng	Guang, Shi	2012/04/01			ecn no	-		
chr	-	-			product family	PwrBlade	rel level	Released
appr	Pei-Ming Zheng	2012/04/09			title 4P + 12S VERTICAL SOLDER HEADER	dwg no 51952-208	rev A	
www.fci.com		cat. no.	-	Product - Customer Drw		sheet 4 of 4		



Copyright FCI.