

PART NAME: NON-METALLIC ENCLOSURE (STYLE E) PART No.: NBE-10558 AND NBE-10578

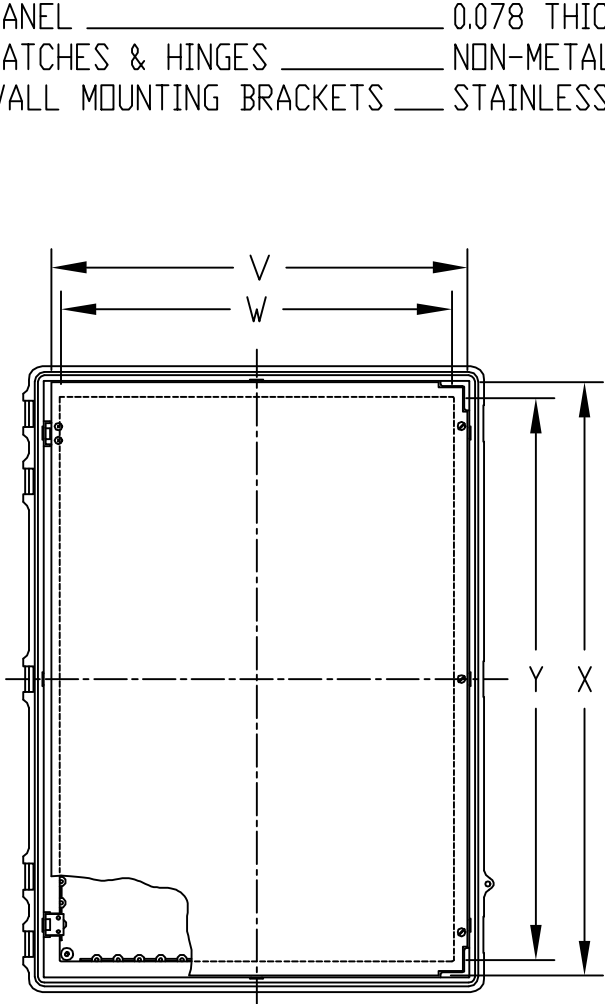
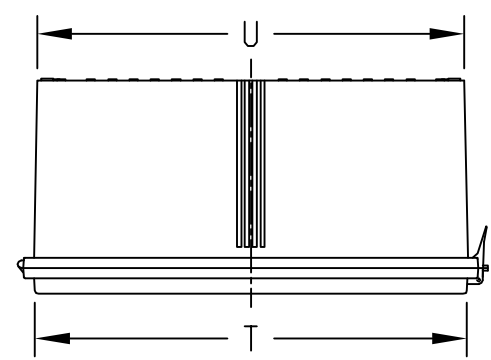
**MATERIAL:**  
 SOLID BODY & COVER \_\_\_\_\_ ABS/PC BLENDED PLASTIC  
 UL94-5VB FLAMMABILITY RATING  
 CLEAR COVER \_\_\_\_\_ POLYCARBONATE PLASTIC  
 UL94V-0 FLAMMABILITY RATING  
 UV STABILIZED  
 PANEL \_\_\_\_\_ 0.078 THICK ALUMINUM  
 LATCHES & HINGES \_\_\_\_\_ NON-METALLIC  
 WALL MOUNTING BRACKETS \_\_\_\_\_ STAINLESS STEEL

**FINISH:**  
 BODY \_\_\_\_\_ LIGHT GRAY  
 COVER \_\_\_\_\_ LIGHT GRAY OR CLEAR  
 PANEL \_\_\_\_\_ ANODIZED  
 COVER INCLUDES GRAY POLY-URETHANE GASKET.

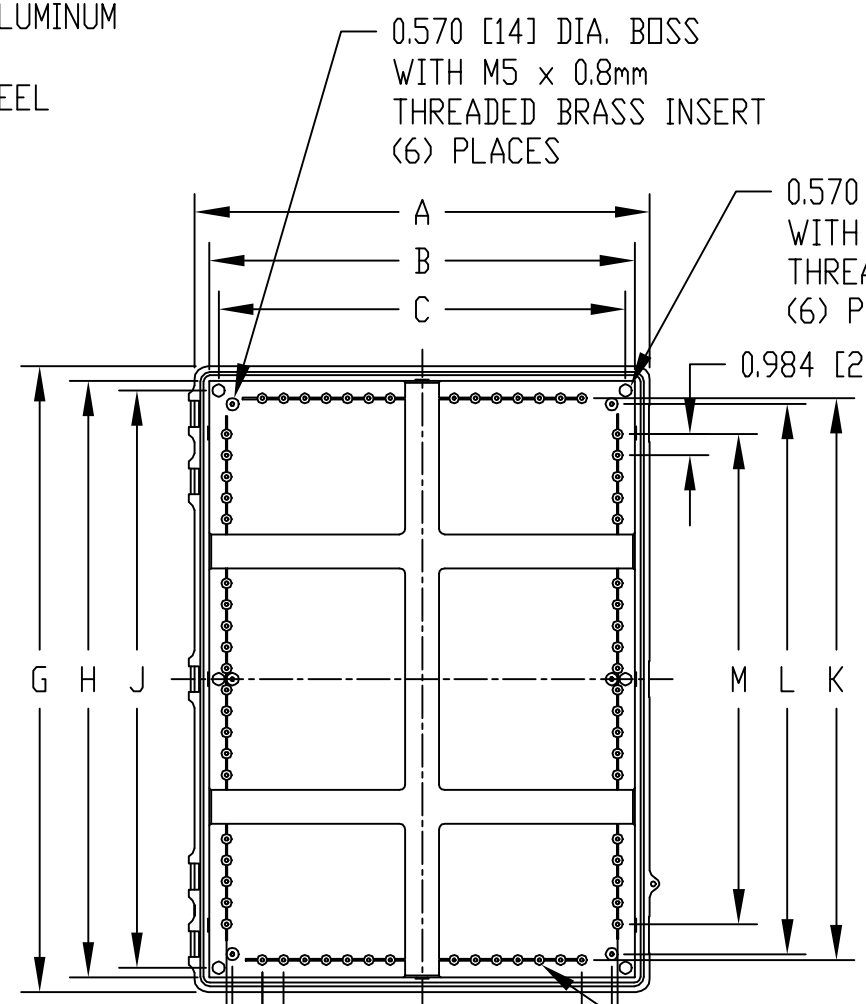
**INDUSTRY STANDARDS:**  
 UL508 TYPE 1, 2, 4, 4X INDOOR, 12 & 13  
 NEMA TYPE 1, 2, 4, 4X, 12 & 13  
 IEC529-IP65

AIR AND MOISTURE VENTS AND GALVANIZED STEEL INTERNAL PANEL ARE NOT INCLUDED, BUT CAN BE PURCHASED SEPARATELY.

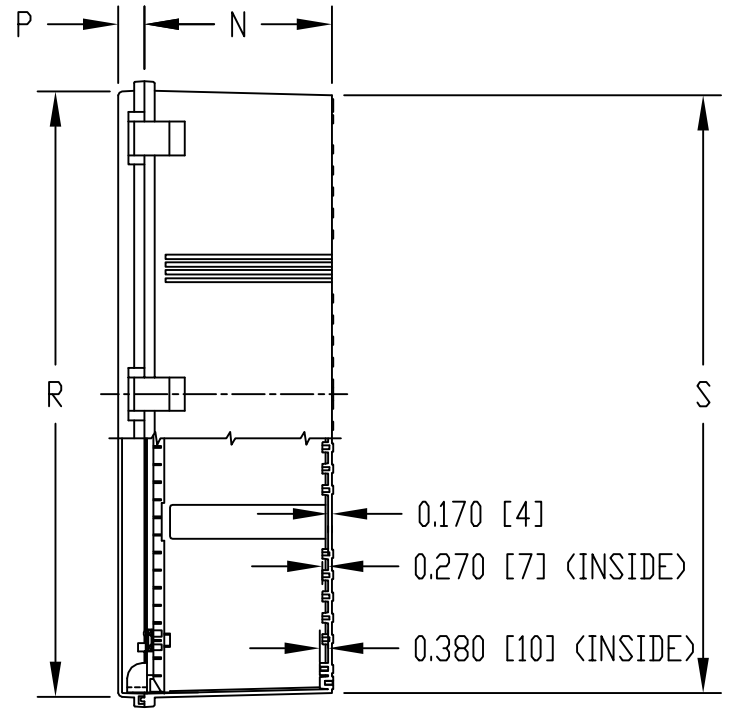
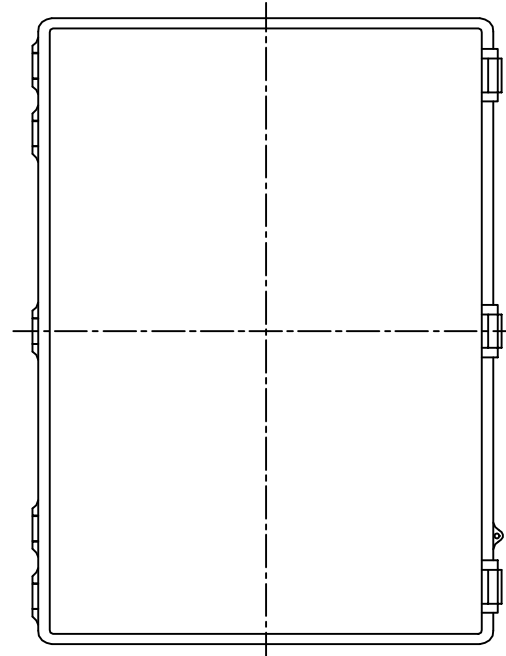
UNIT COMES COMPLETE WITH (6) WALL MOUNTING BRKTS. & (6) M5 x 10mm TRUSS HD. MACHINE SCREWS (NOT SHOWN)



VIEW LESS COVER



VIEW LESS COVER AND SWINGFRAME PANEL



0.470 [12] DIA. BOSS WITH 0.166 [4] DIA. HOLE x 0.325 [8] DEEP (68) PLACES  
 BOSSES ACCEPT M5 METRIC OR #10 STD. SHEET METAL SCREWS x 0.250 [6] LG. (NOT SUPPLIED)

DIMENSIONS = INCHES [MILLIMETERS]

NOTE: ALL DIMENSIONS HAVE ±0.039 [±1] TOLERANCE UNLESS OTHERWISE SPECIFIED

PART NO.		DIMENSIONS																					
SOLID COVER	CLEAR COVER	A	B	C	D	E	F	G	H	J	K	L	M	N	P	R	S	T	U	V	W	X	Y
NBE-10558	NBE-10578	21.035 [534]	19.670 [500]	18.796 [477]	18.062 [459]	17.520 [445]	14.762 [375]	28.915 [734]	27.560 [700]	26.671 [677]	25.937 [659]	25.406 [645]	22.636 [575]	8.664 [220]	1.201 [30]	27.945 [710]	27.615 [701]	19.975 [507]	19.745 [502]	19.217 [488]	18.060 [459]	27.410 [696]	25.940 [659]