

## Panel mounting frames - VS-08-A-S-RJ45/MOD-1-R-IP67 - 1654772

Please be informed that the data shown in this PDF Document is generated from our Online Catalog. Please find the complete data in the user's documentation. Our General Terms of Use for Downloads are valid (<http://download.phoenixcontact.com>)




RJ45 panel mounting frame, IP67, irradiated for welding applications, for modular socket inserts (Keystone), for round panel cutout, with grommet, with thread and union nut



**Ethernet**

### Key commercial data

Packing unit	1 PCE
Minimum order quantity	5 PCE
GTIN	 4 046356 028813
Custom tariff number	85389099
Country of origin	GERMANY

### Technical data

#### Mechanical characteristics

Insertion/withdrawal cycles	≥ 1000
Color	black
Ambient temperature (operation)	-40 °C ... 80 °C

#### Material data

Inflammability class according to UL 94	HB
Housing material	PA
Sealing material	NBR
Seal material	NBR
Degree of protection	IP67

#### Electrical characteristics

Pollution degree	2
------------------	---

# Panel mounting frames - VS-08-A-S-RJ45/MOD-1-R-IP67 - 1654772

## Classifications

### ETIM

ETIM 2.0	EC000764
ETIM 3.0	EC001121
ETIM 4.0	EC001121
ETIM 5.0	EC002310

### UNSPSC

UNSPSC 11	31261501
UNSPSC 12.01	31261501
UNSPSC 13.2	31261501
UNSPSC 6.01	31261501
UNSPSC 7.0901	31261501

### eCl@ss

eCl@ss 4.0	27140816
eCl@ss 4.1	27260701
eCl@ss 5.0	27260701
eCl@ss 5.1	27260701
eCl@ss 6.0	27260705
eCl@ss 7.0	27440309

## Accessories

### Accessories

#### Female insert

RJ45 female insert - VS-08-BU-RJ45/KA/LSA - 1689459



RJ45 socket insert, modular (Keystone), CAT5e, 8-pos., shielded, with cable connection (LSA), for solid wires AWG 26 ... 22

RJ45 female insert - VS-08-BU-RJ45/BU - 1689064



RJ45 socket insert, modular (Keystone), CAT5e, 8-pos., shielded, socket on socket

## Panel mounting frames - VS-08-A-S-RJ45/MOD-1-R-IP67 - 1654772

### Accessories

RJ45 female insert - VS-08-BU-RJ45-6/KA/LSA - 1653168



RJ45 socket insert, modular (Keystone), CAT6, 8-pos., shielded, with cable connection (LSA), for litz and solid wires AWG 26 ... 22

---

RJ45 female insert - VS-08-BU-RJ45-6-MOD/BU - 1653155



RJ45 socket insert, modular (Keystone), CAT6 (Link test), 8-position, shielded, socket on socket

---

RJ11 socket insert - VS-RJ11-BU-MOD/BU - 1656356



Socket insert RJ11, modular system (Keystone), 6-pos., unshielded

---

### Protective covers

Protective covers - VS-08-SD-S - 1652871



Protective cover, IP67, tall design, irradiated for welding applications

---

Protective covers - VS-08-SD-F-S - 1653139



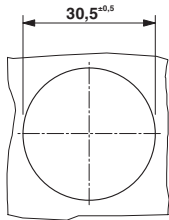
Protective cover, IP67, irradiated for welding applications, flat design, to cover the contact insert in the panel mounting frame

---

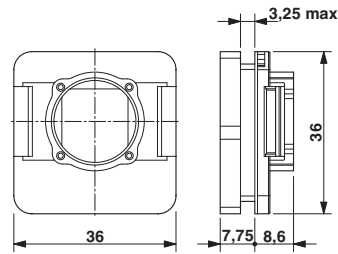
# Panel mounting frames - VS-08-A-S-RJ45/MOD-1-R-IP67 - 1654772

## Drawings

Dimensioned drawing



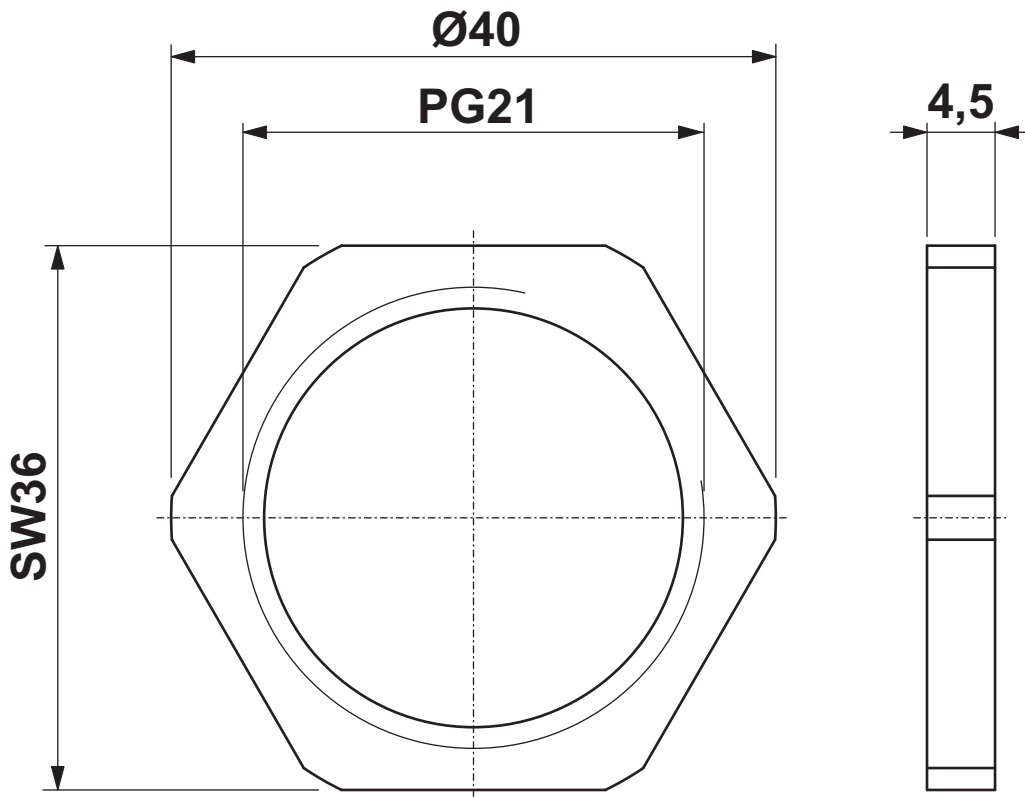
Dimensioned drawing



RJ45 panel mounting frame, IP67

Panel cutout

Dimensioned drawing



Union nut