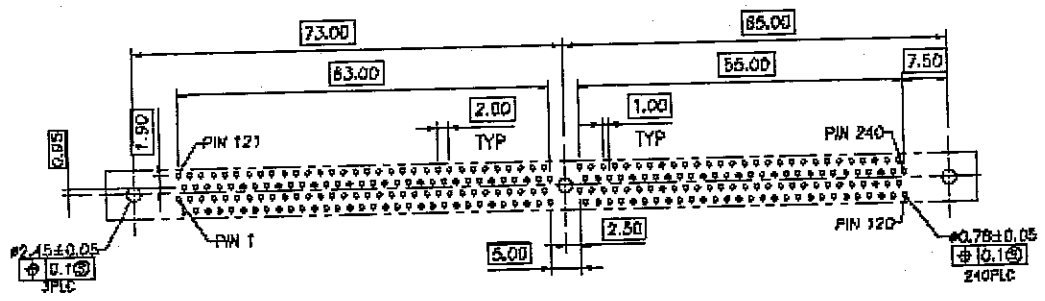
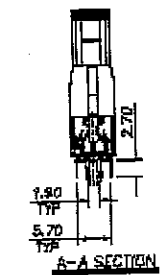
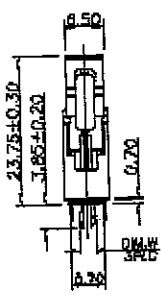
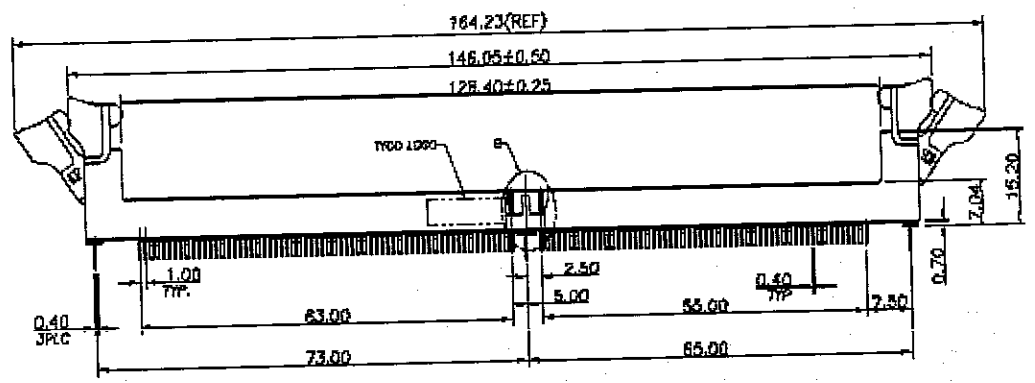
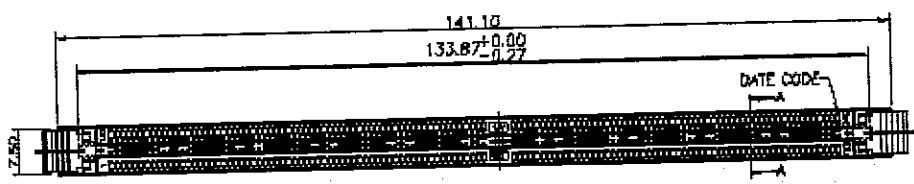


NUMBER C-1734097

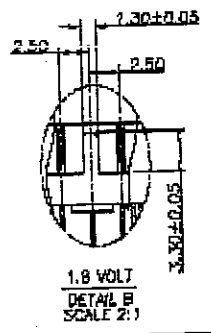
3RD ANGLE PROJECTION

METRIC

THIS DRAWING IS THE PROPERTY OF TAIYU ELECTRONIC CO., LTD. IT IS TO BE USED ONLY FOR THE PURPOSES SPECIFIED HEREIN. ANY REPRODUCTION OR TRANSMISSION OF THIS DRAWING IN ANY FORM OR BY ANY MEANS, WITHOUT PERMISSION IN WRITING FROM TAIYU ELECTRONIC CO., LTD. IS PROHIBITED. DIMENSIONS IN MILLIMETERS. DO NOT SCALE PRINT.



RECOMMENDED PCB LAYOUT
PCB TOLERANCE: ±0.05



Q	ADDED P/15-3,6-4,7-1,2-1	ECR-08-027558	HH	27NOV 2006
B	REVISED	ECR-08-007135	SH	24JUNE 2006
A	REVISED	ECR-06-016182	WK	23NOV 2005
C	FIRST RELEASED	F200-0028-04	WK	14MAY 2004
LTR	REVISION RECORD	EDM	WK	20MAY 2004

- NOTES:
- MATERIAL:
 - HOUSING: THERMOPLASTIC, PA46, UL94V-0, COLOR: SEE TABLE
 - EXTRACTOR: THERMOPLASTIC(PA66), UL94V-0, COLOR: WHITE
 - CONTACT: PHOSPHOR BRONZE
 - BOARD LOCK: BRASS
 - FINISH:
 - CONTACT:
 - GOLD PLATING ON CONTACT AREA, 2.54µm[100µ"]MIN. MATTE TIN PLATING ON SOLDER TAILS, 7.27µm[50µ"]MIN. NICKEL UNDERPLATING OVERALL.
 - BOARD LOCK:
 - 1.27µm[50µ"] MIN NICKEL UNDERPLATING OVERALL.
 - RECOMMENDED PCB THICKNESS: 1.27mm
 - WAVE SOLDERING CAPABLE TO 265±5°C, PER TYCO SPEC. 109-202 CONDITION B.

2.90	GREEN/3259C	GOLD FLASH	8-	-1
	BLUE/2548C	GOLD FLASH	7-	-1
	GREEN 347C	15µ"	6-	-4
	PURPLE 2726U	15µ"	6-	-2
		GOLD FLASH	6-	-1
	BLUE GREEN 338LU	15µ"	5-	-2
2.65	ORANGE 137C	15µ"	4-	-2
	APPLE GREEN 382V	GOLD FLASH	4-	-1
		15µ"	3-	-2
2.90	BLUE 301C	15µ"	2-	-2
	WHITE	GOLD FLASH	2-	-1
		15µ"	1-	-2
	BLACK	30µ"		-3
		15µ"		-2
		GOLD FLASH		1734097-1
DIM. N°	HSG. COLOR PALETTE	GOLD PLATING	PART NUMBER	

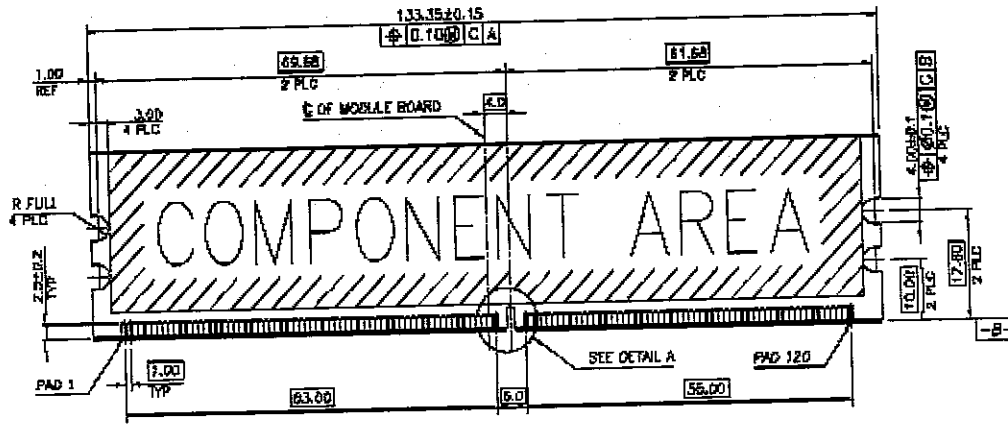
TOLERANCES UNLESS OTHERWISE SPECIFIED	DRN	A. HILARIO	Taiyu Electronics (Taiwan) Co., Ltd. TAIWAN BRANCH
Ø FRA ± 0.3	GRK	27-NOV-2006	
F FRA ± 0.2		WLL KE	
3 FRA ± 0.2		27-NOV-2006	
ANGLES ± 3°		NAME	
MATERIAL	APVD	WLL KE	DDRII 240PIN SOCKET
SEE NOTE		27-NOV-2006	
	PRODUCIT SPEC		
	108-57350		
FINISH	APPLICATION SPEC	LOG SIZE (DRAWING NO)	REV
SEE NOTE		DW A ₂ C-1734097	C
	WEIGHT	SCALE	SHEET
	10 GRAM		1 OF 3

CUSTOMER DRAWING

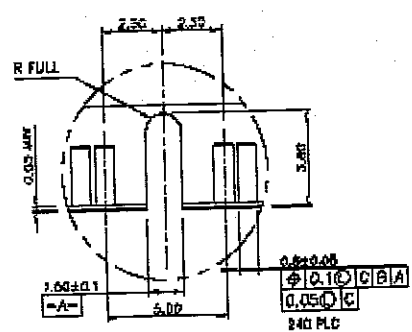
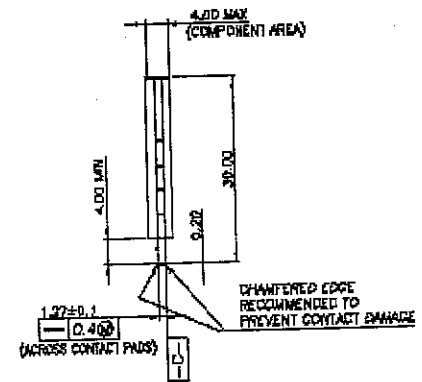
NUMBER C-1734097



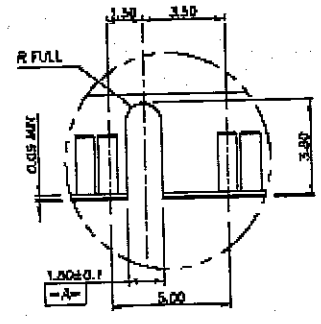
METRIC



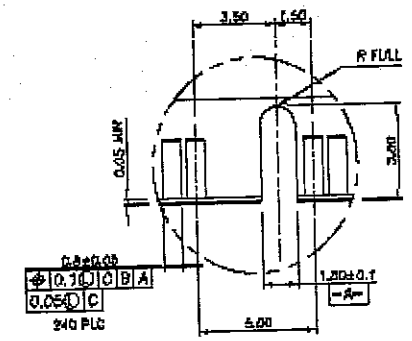
RECOMMENDED MODULE LAYOUT



1.8V
 DETAIL A
 SCALE 4:1



2.5V
 DETAIL A
 SCALE 4:1



3.3V
 DETAIL A
 SCALE 4:1

THIS INFORMATION IS CONFIDENTIAL AND IS TO BE USED ONLY FOR THE PURPOSES SPECIFIED IN THE ORDER. IT IS NOT TO BE REPRODUCED, COPIED, OR TRANSMITTED IN ANY FORM OR BY ANY MEANS, ELECTRONIC OR MECHANICAL, INCLUDING PHOTOCOPYING, RECORDING, OR BY ANY INFORMATION STORAGE AND RETRIEVAL SYSTEM. ALL DIMENSIONS ARE IN MILLIMETERS. DO NOT SCALE PRINT.

SEE SHEET 1		EEN	DATE
LTR	REVISION REQUIRED		

TOLERANCES UNLESS OTHERWISE SPECIFIED:		DRN	N. HUIANG	 Teco Electronics (Malaysia) Sdn Bhd 14, LIAWAN BRANCH		
0 PLC ± 0.3	1 PLC ± 0.2	CHK	S. HOU			
2 PLC ± 0.2	3 PLC ± 0.2	APVD	W.J. KE	NAME DDR1 240PIN SOCKET		
ANGLES ± 3		PRODUCT SPEC	27-NOV-2009			
MATERIAL	FINISH	APPLICATION SPEC	LOG	SIZE	DRAWING NO	REV
		WEIGHT	DW	A ₂	C-1734097	C
			SCALE		SHEET	2 OF 3

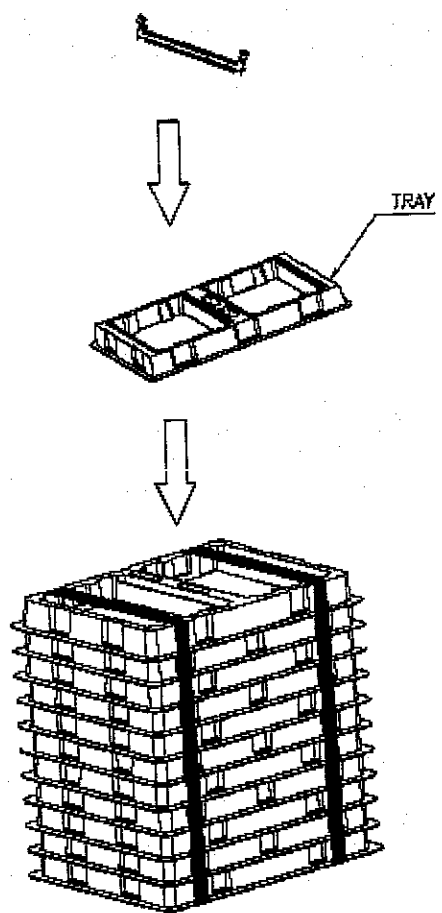
CUSTOMER DRAWING

NUMBER C-1734097

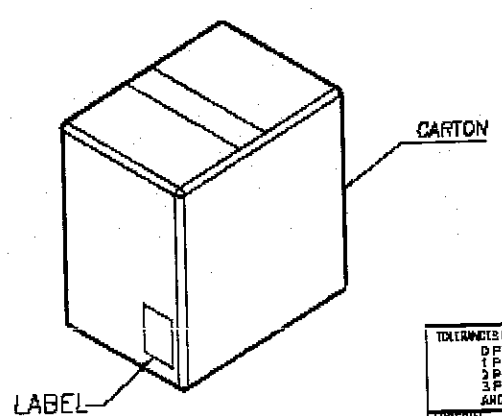
3RD ANGLE PROJECTION

METRIC

THIS INFORMATION IS CONFIDENTIAL AND IS EXCLUDED IN YOUR OWN CONTRACTS. YOU MAY NOT REPRODUCE OR TRANSMIT THIS INFORMATION IN ANY FORM OR BY ANY MEANS, ELECTRONIC OR MECHANICAL, INCLUDING PHOTOCOPYING, RECORDING, OR BY ANY INFORMATION STORAGE AND RETRIEVAL SYSTEM. ALL DIMENSIONS IN MILLIMETERS. DO NOT SCALE PRINT.



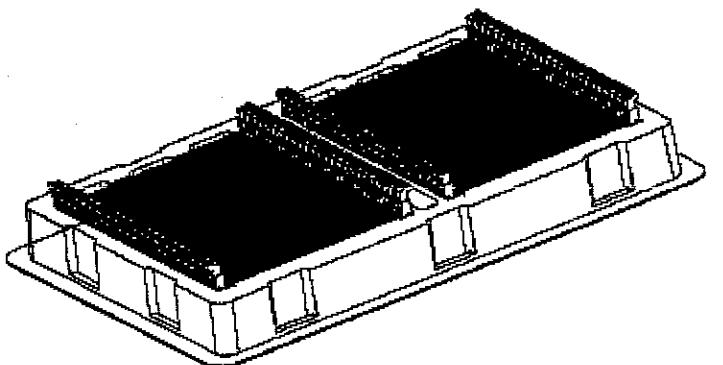
TRAY



CARTON

LABEL

- NOTE:
1. DIMENSION:
 TRAY: L = 365, W = 255, H = 33
 CARTON: L = 385, W = 270, H = 365
 2. QUANTITY:
 50 PCS/TRAY
 10 TRAYS/CARTON (500 PCS/CARTON)
 3. WEIGHT :
 NET WEIGHT : 5.0KG
 GROSS WEIGHT : 7.0KG



TRAY LAYOUT

SEE SHEET 1	ECN	DATE
LTR	REVISION RECORD	DATE

TOLERANCES UNLESS OTHERWISE SPECIFIED: 0 PCD ± 0.3 1 PCD ± 0.2 2 PCD ± 0.2 3 PCD ± 0.2 ANGLES ± 3'	DATE 27-NOV-2009	CHK S. HOU 27-NOV-2009	APVD W.J. KE 27-NOV-2009	H. HUANG 27-NOV-2009 S. HOU 27-NOV-2009 W.J. KE 27-NOV-2009	TYPED HOLDING DRAWINGS VI LTD. TAIWAN BRANCH NAME DDRII 240PIN SOCKET
MATERIAL SEE NOTE	PRODUCT SPEC -	FINISH SEE NOTE	APPLICATION SPEC -	DW A3 SCALE -	DRAWING NO C-1734097 SHEET 3 OF 3

CUSTOMER DRAWING

DW

8 7 6 5 4 3 2 1